



# **ARGO**

## **CONQUEST PARTS MANUAL**

**Model Nos. V899-37 &  
V899-38**

**From Serial # CB17857**

# Foreword

ODG has prepared this parts manual for the CONQUEST model to assist both qualified mechanics and vehicle owners in ordering correct, quality replacement ARGO parts.

Proper and regular service, and replacing old, worn or broken parts with the correct ARGO replacement parts, are both essential to prolonging the life of the ARGO. Please refer to this parts manual before ordering any replacement part.

All information contained in this CONQUEST Parts Manual is based on the latest product specification available at time of printing. If your CONQUEST differs from the specifications contained in this manual, contact Ontario Drive & Gear Limited for information.

ODG reserves the right to alter specifications on the CONQUEST model at any time, without obligation or prior notification.

Reproduction of this CONQUEST Parts Manual, in whole or in part, is prohibited without prior written permission from Ontario Drive & Gear Limited.

## Model Identification

**CONQUEST** - Model Nos. V899-37 and V899-38

## Explanation of Parts Manual Format

- Ref** - Reference number between assembly diagram and component parts list
- Part No.** - Argo replacement part number for identification and re-ordering
- Description** - Part description for identification and re-ordering
- Qty** - Indicates the quantity of a part used in an Assembly

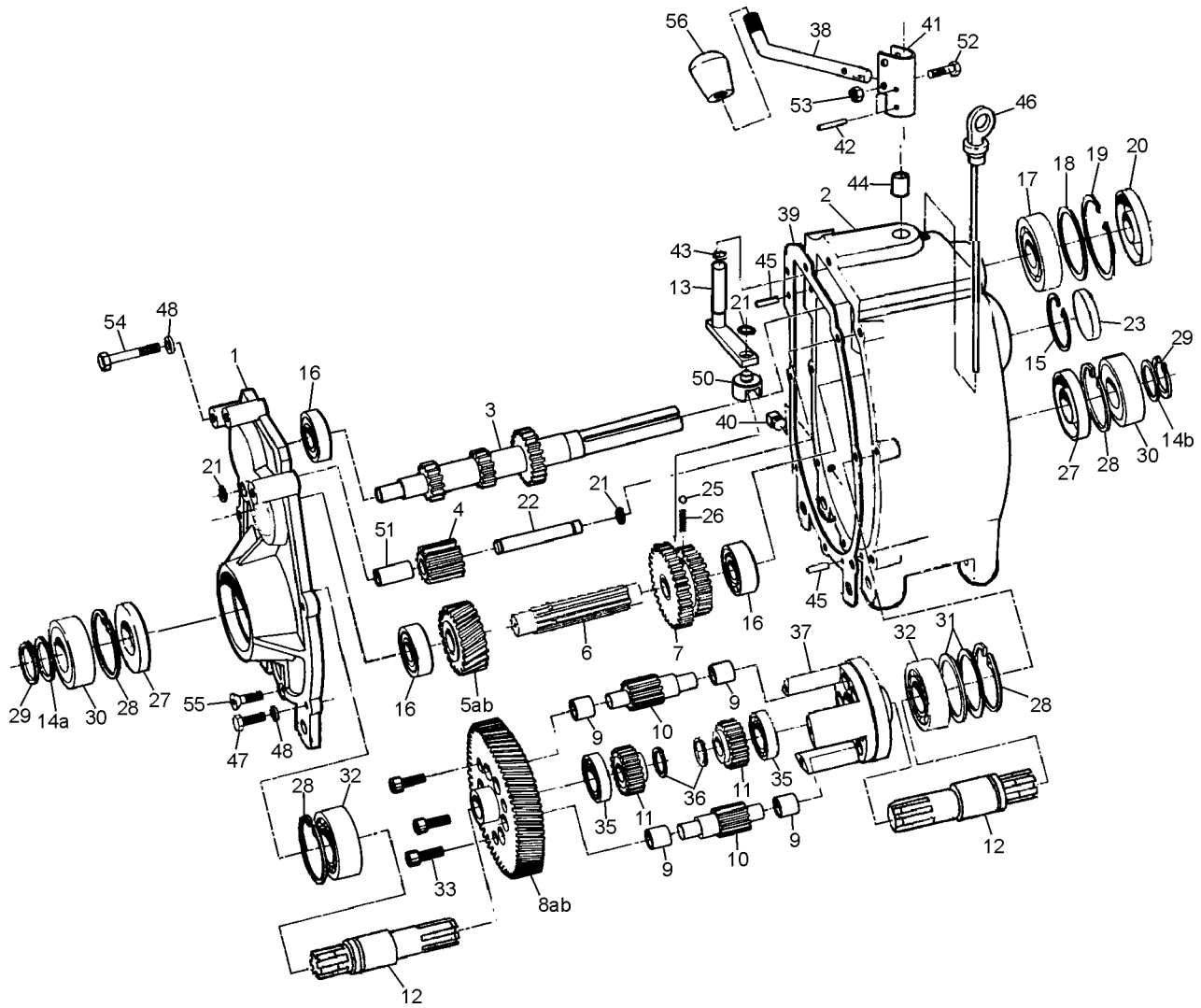


**Using the Parts Manual**

1. Find the major vehicle assembly in the Table of Contents on this page, and turn to that section.
2. Locate the part in the illustration that you wish to order.
3. Refer to the parts list in that section.
4. Find the correct part number (Part No.), part description (Description) and correct quantity (Qty).
5. Use *only* this information to order ARGO replacement parts. *DO NOT* attempt to order a replacement part by reference number or page number.

**Table of Contents**

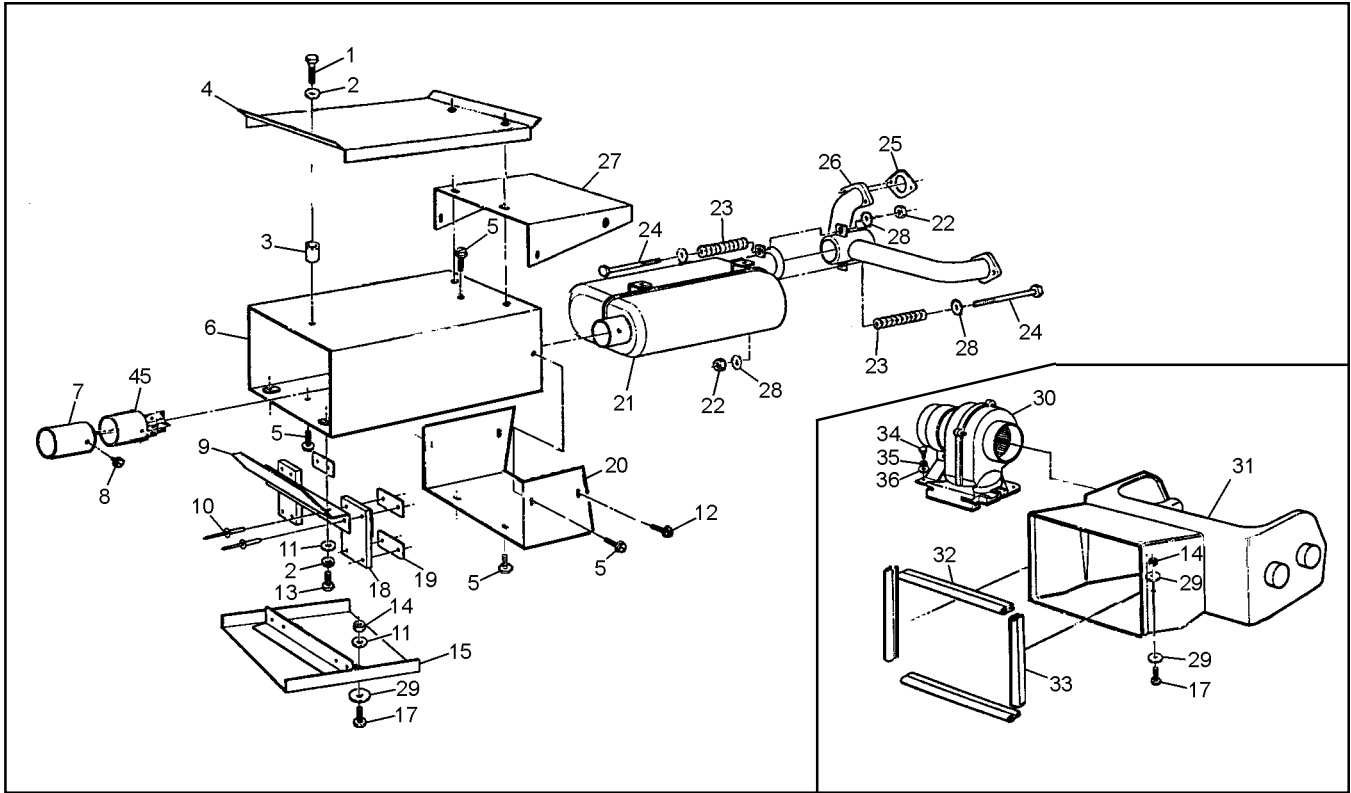
Foreword .....	i
Model Identification .....	i
Using the Parts Manual .....	ii
1.0 Transmission .....	1
2.0 Intake and Exhaust System .....	3
3.0 Clutch System .....	4
4.0 Power Pack Assembly .....	5
5.0 Brake System - Hydraulic .....	7
6.0 Vehicle Body & Firewall .....	9
7.0 Frame & Drive System .....	11
8.0 Fuel System & Seat Assembly .....	13
9.0 Electrical System .....	15



Ref.	Qty.	Part #	Description
		610-18M	Transmission Asm - M, does not include Refs 38, 52, 53 & 56, uses Refs 5a & 8a
		610-18G	Transmission Asm - G, does not include Refs 38, 52, 53 & 56, uses Refs 5b & 8b
1	1	34-68	Cover, Transmission
2	1	34-99	Housing, Transmission
3	1	34-21	Shaft, Input - 13/21T
4	1	34-16A	Gear, Idler - 13T (incl. Ref 51)
5a	1	34-95	Gear, Helical - 24T - M
5b	1	34-97	Gear, Helical - 21T - G
6	1	34-94	Shaft, Spline
7	1	34-91	Gear, Double - 26/33T
8a	1	34-22	Gear Plate - 73T - M
8b	1	34-45	Gear Plate - 76T - G
9	12	105-03	Bushing, Oilite - 1/2 x 3/4
10	6	34-13	Gear, Planet - 12T
11	2	34-14	Gear, Sun - 21T
12	2	34-98	Shaft, Output
13	1	34-65	Shifter Asm.
14a	1	114-04	Washer, Shim .040 Thk
14b	1	114-05	Washer, Shim .020 Thk
15	1	106-01	Retaining Ring
16	3	101-01	Bearing, Ball 6204Z-C3
17	1	101-16	Bearing, Ball 6206-C3
18	as req.	114-02	Washer, Shim 2.06x2.42x.02
19	1	106-05	Retaining Ring
20	1	102-05	Seal, Oil WBS 30x62x10
21	3	107-05	Retaining Ring
22	1	34-11	Pin, Dowel 1/2 x 3.50
23	1	31-07	Plug Plate
25	1	109-05	Ball, Steel 6mm 62-67 Rc
26	1	34-32	Spring, Compression - 7/32x.50
27	2	102-03	Seal, Oil WBS 30x72x10
28	4	106-03	Retaining Ring
29	2	107-02	Retaining Ring
30	2	101-05	Bearing, Ball 6306-2NSE C3
31	2	114-01	Washer, Shim 2.25x2.81x.02
32	2	101-03	Bearing, Ball 6207-C3
33	3	103-04	SHCS 5/16-18x1.0 Bare
35	2	101-15	Bearing, Ball 6005-C3
36	2	107-04	Retaining Ring
37	1	34-08	Cage
38	1	610-77	Lever, Shift
39	1	34-47	Gasket, Cover - 1/64" Thk
40	1	103-02	Plug, Magnetic 3/8-18 NPT
41	1	34-86	Holder, Shift Lever
42	2	111-01	Pin, Spring 5/32x1.0
43	1	113-01	O-Ring
44	1	105-02	Bushing, Oilite - 1/2 x 1.0
45	2	104-03	Pin, Dowel 1/4 x 7/8
46	1	34-77	Dipstick, with breather
47	4	103-06	HHCS 5/16-18x1.0 GR5 Zc
48	7	108-05	Lockwasher 5/16
50	1	34-63	Shift Yoke
51	1	105-05	Bushing, Oilite - 1/2 x 1.5 (in Ref. 4)
52	1	103-97	HHCS 1/4-20x1.25 GR5 Zc
53	1	117-27	Locknut, Nylon 1/4-20 Zc
54			<b>See Section 4.0 Power Pack Assembly</b>
55	1	103-95	FHSC 5/16-18x1.0 GR8 Zc
56	1	126-38	Knob, Shift

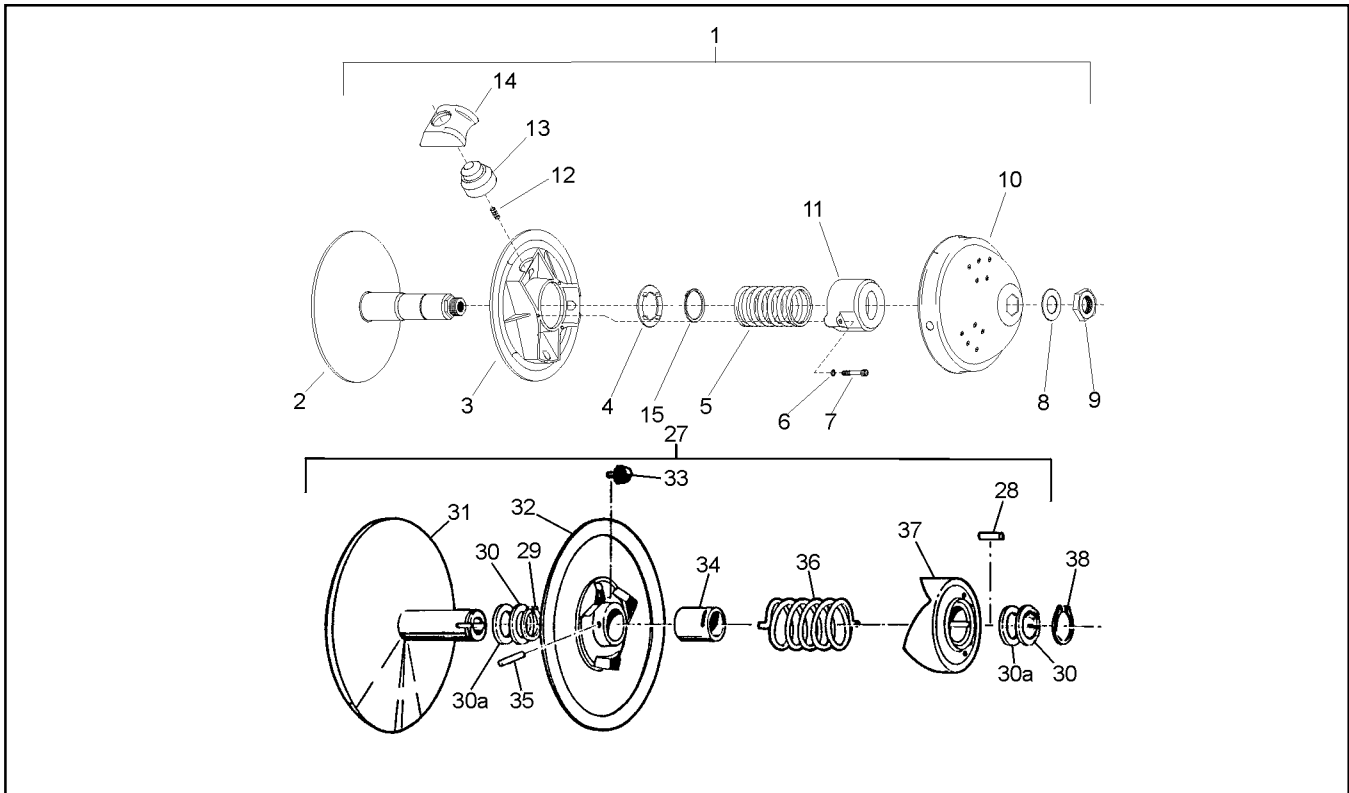
# 2.0 Intake and Exhaust System

# Conquest Parts Manual

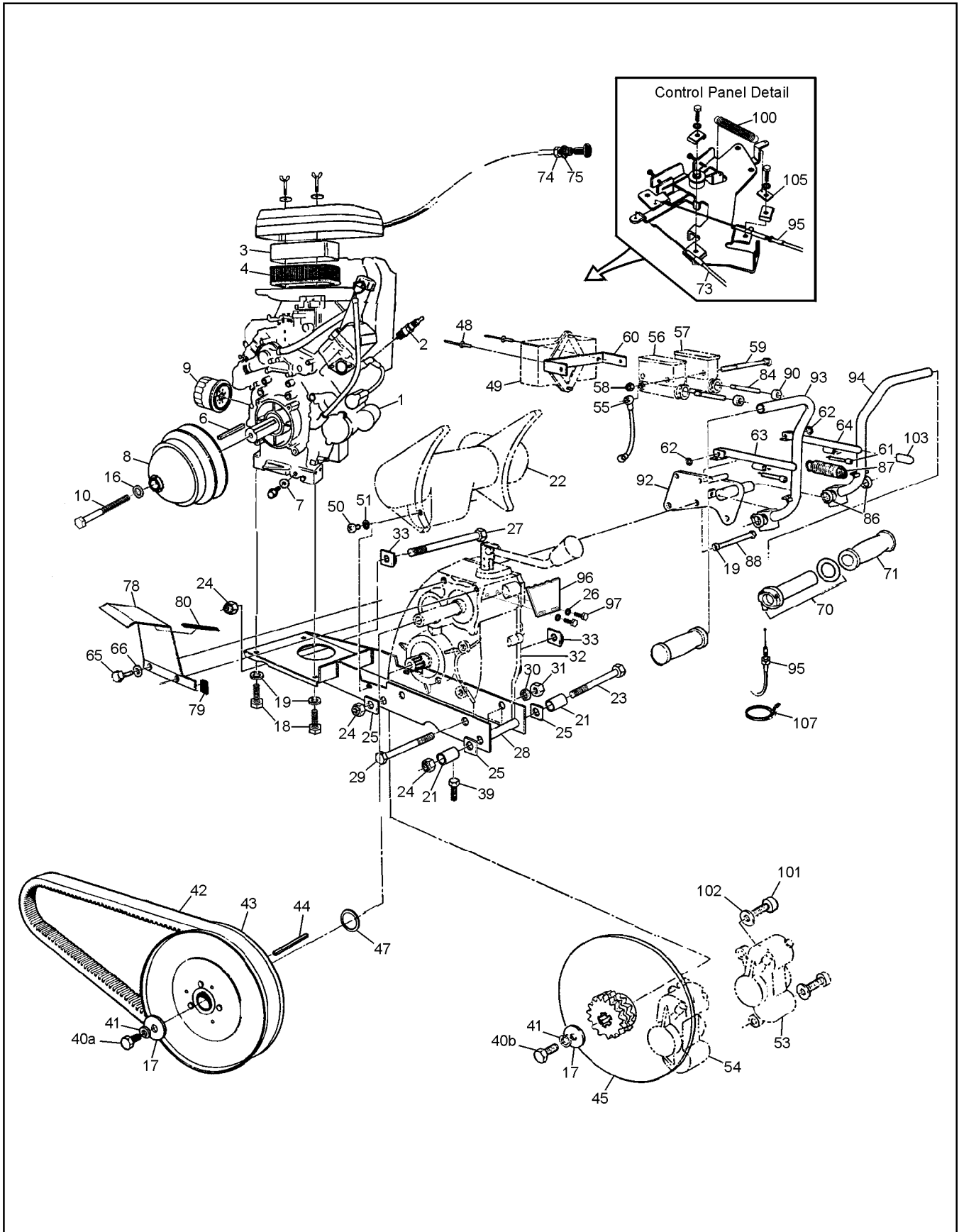


Ref.	Qty.	Part #	Description
1	3	103-97	HHCS 1/4-20x1.25 Gr5 Zc
2	5	108-03	Lockwasher 1/4
3	3	807-71	Spacer
4	1	807-72	Shield, Heat
5	7	112-19	Screw IHWH T/C 1/4-20x1/2
6	1	807-41	Shield Asm, Muffler
7	1	807-75	Pipe, Muffler Outlet
8	1	112-43	Screw, IHWH #8x3/8
9	1	807-43	Support, Upper
10	8	120-09	Rivet 3/16x1 - Black
11	4	108-08	Washer .28x.62x.04 Zinc
12	2	103-48	T/S Pan Hd Phil #10 x 5/8
13	2	112-04	HHCS 1/4-20x3/4 Gr2 Zc
14	4	117-27	Locknut, Nylon 1/4-20 Zc
15	1	807-49	Support, Lower
17	4	103-63	PHMS, PHIL 1/4-20x1.0 Zc
18	2	126-07	Support, Flex
19	4	807-69	Washer, Special
20	1	807-70	Cover, Lower
21	1	807-42	Muffler Asm - Conquest

Ref.	Qty.	Part #	Description
22	2	117-25	Nut, Conelock 5/16-18
23	2	100-10	Spring, Compression
24	2	112-18	SHCS 5/16-18x2.25
25	2	11060-2079	Gasket, Muffler
26	1	807-66	Manifold Asm
27	1	807-38	Cover, Manifold
28	4	108-24	Washer .34x.70x.06 Zc
29	6	108-01	Washer, Fender 1/4 BSx1.25OD
30			<b>See Section 5.0 Brake System</b>
31	1	807-76	Duct, Routed Intake
32	2	807-77	Seal, Radiator - 11.5" lg.
33	2	807-78	Seal, Radiator - 9.75" lg.
34	4	103-47	HHCS, #10-24x1/2
35	4	120-05	Washer, .19x.50x.04
36	4	108-59	Lockwasher #10 Int.Tooth
45	1	807-67	Spark Arrester



Ref.	Qty.	Part #	Description
1	1	127-71	Clutch, Driver - Keyed (incl. Refs 2 to 14)
2	1	0405-0044	Pulley, Half - Fixed
3	1	0410-0006	Pulley, Half - Sliding
4	1	V09	Plate, Spring Guide
5	1	V10-48-103-18	Spring
6	3	420-2453-700	Lockwasher
7	3	222-9640-66	SHCS
8	1	0080-0153	Washer, Zc
9	1	0080-0100	Nut
10	1	0115-0003(A)	Cap
11	1	0440-0001	Cover, Spring
12	3	C24-L1	Spring, Anti-noise
13	3	0135-2045	Weight, 266g
14	3	0130-3002	Block, Red
15	1	V08C	Retaining Ring
27	1	126-24	Clutch, Driven - Model "B" (incl. Refs 28 to 37)
28	1	ASK-5	Key 1/4x1/4x5/8
29	1	ASR-6	Retaining Ring
30	as req	ASA-1-S	Spacer .025" Thick
30a	as req	ASA-1	Spacer .050" Thick
31	1	AFK25.4-250OD01	Pulley, Half - Fixed
32	1	AMC-2-250OD01	Pulley, Half -Sliding incl. Refs. 33, 34 & 35
33	3	ANS-2-T	Shoe, Cam
34	1	AMB-2	Bushing, Bronze
35	1	111-01	Pin, Spring 5/32x1.0
36	1	ACS-3-188	Spring, Blue
37	1	AFC-4-C3D4	Cam
38	1	371-9031-0	Retaining Ring





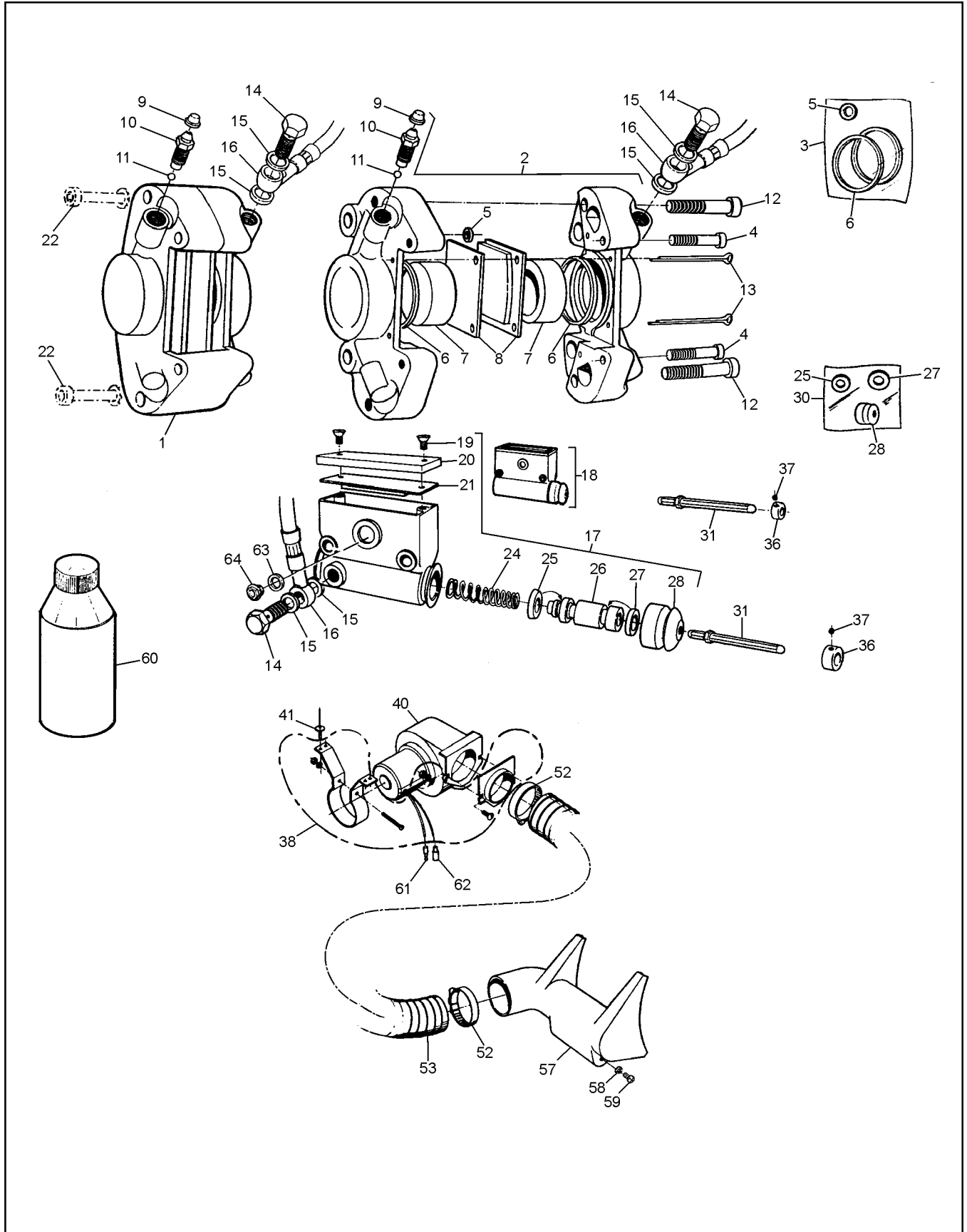
# Conquest Parts Manual

# 4.0 Power Pack Assembly

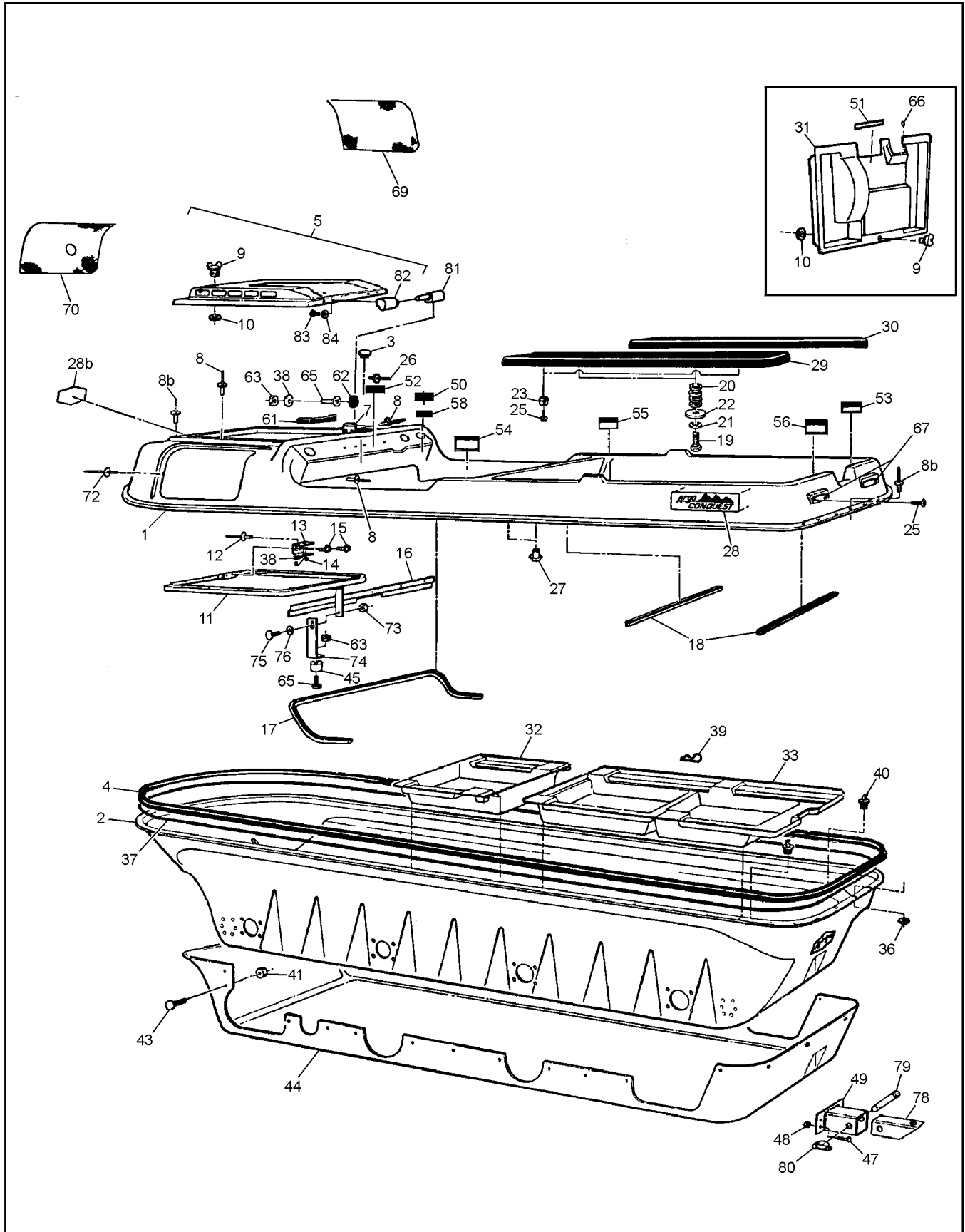
Ref.	Qty.	Part #	Description	Ref.	Qty.	Part #	Description
1	1	FD620D-HS12	Engine - Kawasaki, (incl. Refs. 2, 3, 4, 7, 9, 49)	47	as req	108-36	Washer 1.03x1.37x.06 Zinc
2a	2	92070-2072	Sparkplug, BMR4A (for prior to S/N CB17857)	48	2	120-13	Rivet 3/16x5/8 - Black
2b	2	92070-2112	Sparkplug, BPR4ES (from S/N CB17857)	49	1	21119-2157	Igniter
3	1	11013-2114	Element, Air Filter - Foam	50 to 57			<b>See Section 5.0 Brake System</b>
4	1	11013-2139	Element, Air Filter - Paper	58	2	117-27	Locknut, Nylon 1/4-20 Zc
6	1	110-13	Key 1/4x1/4x2.25	59	2	103-66	HHCS 1/4-20x4.0 Gr5 Zc
7	1	11009-2566	Gasket, Drain Plug	60	1	610-75	Bracket, Igniter
8			<b>See Section 3.0 Clutch System</b>	61	2	103-69	SHCS 1/4-20x1.5 Zc
9	1	127-68	Filter, Oil	62	2	113-02	O-Ring
10	1	112-15	SHCS M10x1,5x90mm	63	1	810-20	Lever Asm, Brake - LH
16	1	108-54	Lockwasher, Hi-Collar - M10	64	1	810-21	Lever Asm, Brake - RH
17	3	108-18	Washer .40x1.37x.12 Zc	65	2	103-17	HHCS 3/8-16x1.0 Gr5 Zc
18	4	112-30	SHCS M8x1,25x20mm Zc	66	2	108-26	Washer 3/8 Zc
19	7	108-05	Lockwasher 5/16 Zc	70	1	127-81	Throttle Twist Grip
21	2	811-14	Spacer	71	2	127-35	Grip, Molded
22			<b>See Section 5.0 Brake System</b>	73	1	812-29	Cable Asm, Choke - Conq.
23	1	112-57	HHCS 5/8-11x10.0 Gr5 Zc	74	1	117-68	Nut, Jam 3/8-24 UNF Zinc
24	3	117-09	Locknut, Nylon 5/8-11 Zc	75	1	108-32	Lockwasher 3/8 Int. Tooth
25	3	811-09	Washer, Square - .64 ID	78	1	603-29	Guard, Belt Protect
26	2	108-24	Washer 5/16 SAE Zinc	79	1	601-92	Vinyl Trim - 1.5"
27	2	112-58	HHCS 5/8-11x7.5 Gr5 Zc	80	1	601-93	Vinyl Trim - 4.25"
28	1	811-30	Frame, Powerpack - Conq.	84			<b>See Section 5.0 Brake System</b>
29	2	103-20	HHCS 1/2-13x6.5 Gr5 Zc	86	4	106-07	Retaining Ring
30	2	108-07	Lockwasher 1/2	87	2	127-33	Spring, Extension
31	2	117-06	Nut, Fin Hex 1/2-13 Zc	88	3	103-55	HHCS 5/16-18x2.75 Gr5 Zc
32			<b>See Section 1.0 Transmission</b>	90			<b>See Section 5.0 Brake System</b>
33	2	811-15	Washer, Square Lock .64ID	92	1	812-01	Bracket Asm, Steering
39	2	103-53	HHCS 3/8-16x3.0 Gr5 Full Thread	93	1	812-27	Lever Asm, Steering - LH
40a	1	103-34	HHCS 3/8-16x1.25 Gr5 Zc	94	1	812-26	Lever Asm, Steering - RH
40b	2	103-18	HHCS 3/8-24x1.25 Gr5 Zc	95	1	612-101	Cable Asm, Throttle
41	3	108-06	Lockwasher 3/8 Split Ring Zc	96	1	610-81	Shift Gate, Transmission
42	1	125-56	Drive Belt	97	2	112-01	HHCS 5/16-8x3/4 Gr5 Zn
43			<b>See Section 3.0 Clutch System</b>	100	1	127-11	Spring, Extension
44	1	110-09	Key 1/4x1/4x3.0	101	4	103-41	SHCS 3/8-16x1.25 Zc
45	2	610-80	Brake Disc #50-2x13T	102	4	108-23	Washer 3/8 SAE Gr8 - Dich.
				103	2	126-89	Cap, Vinyl - Black
				105	1	601-86	Clip, Retainer
				107	1	100-64	Tie Wrap - 5.5" - Black

# 5.0 Brake System - Hydraulic

# Conquest Parts Manual



Ref.	Qty.	Part #	Description
1	1	166-01RM	Caliper, Brake - L w/o Pads (incl. Refs 5, 6, 7, 9 - 12)
2	1	166-02RM	Caliper, Brake - R w/o Pads (incl. Refs 5, 6, 7, 9 - 12)
3	2	161-01	O-Ring Kit, Caliper (incl. Refs 5 & 6)
4	2	160-40	SHCS M8x1,25x40 Zc
5	1		Seal, Rubber - 5mm (see Ref 3)
6	2		Seal, Piston - 41mm (see Ref 3)
7	2x2	168-05	Piston 41mm
8	1	170-02	Brake Pad Set (4) - Metallic (Asbestos-free)
9	1x2	168-20	Plug, Rubber
10	1x2	168-03	Screw, Bleeding M10x1,0
11	1x2	109-03	Ball, Steel - 7/32 Dia.
12	2x2	160-41	SHCS M10x1,5x50mm Zc
13	2x2	168-06	Pin, Cotter 3,2x50mm
14	4	160-44	Bolt, Banjo-M10x1,0x21,0 Zc
15	8	160-01	Washer, Copper-1,5x10,0x14,0
16	1x2	163-01	Hose Asm, Hydraulic-310mm
17	1	165-06	Master Cylinder - left (incl. Refs 19 to 21, 24 to 28, 63 & 64)
18	1	165-05	Master Cylinder - right (incl. Refs 19 to 21, 24 to 28, 63 & 64)
19	2x2	160-42	FHMS M5x0,8x6mm
20	1x2	168-08	Cover
21	1x2	168-09	Cover, Rubber
22			<b>See Section 4.0 Power Pack Assembly</b>
24	1x2	162-02	Spring, Comp. 0.59x1.5
25	1x2		Seal, Primary, 19mm (See Ref. 30)
26	1x2	168-10	Piston 19mm dia.
27	1x2		Seal, Secondary, 19mm (See Ref. 30)
28	1x2		Boot, Rubber (See Ref. 30)
30	1x2	161-25	O-Ring Kit - Master Cylinder (incl. Refs 25, 27 & 28)
31	2	812-13	Pin Asm, Plunger-Adjustable
36	2	812-17	Collar
37	2	112-02	SHSS 10-24x1/4 Knurl Cup PT, PL
38		125-92	Adpt. & Mounting Kit - includes the following:
	1		Mounting Bracket
	1		Nut, #10-32
	1		Lockwasher, 3/16"
	1		Screw, #10-32x2"
	2		Nut, 1/4-20
	2		Lockwasher, 1/4"
	2		Screw, 1/4-20x5/8"
	1		Adaptor, 3" dia.
40	1	125-91	Blower Fan
41			<b>See Section 2.0 Intake and Exhaust System</b>
52	2	125-35	Clamp, Gear 3.50" HF-52
53	1	127-06	Hose, Intake - 3" dia. x 26"
57	1	126-36	Brake Cool Air Duct
58	2	108-56	Lockwasher 1/4 Ext. Tooth
59	2	103-63	PHMS, Phil 1/4-20x1.0 Zinc
60		126-19	Fluid, Brake - Silicon Dot 5 - .35L
61	1	118-02	Terminal, Male #76-1251
62	1	118-03	Terminal, Female #76-1289
63	1x2	160-03	O-ring, Oil Window
64	1x2	168-14	Oil Window, Master Cylinder

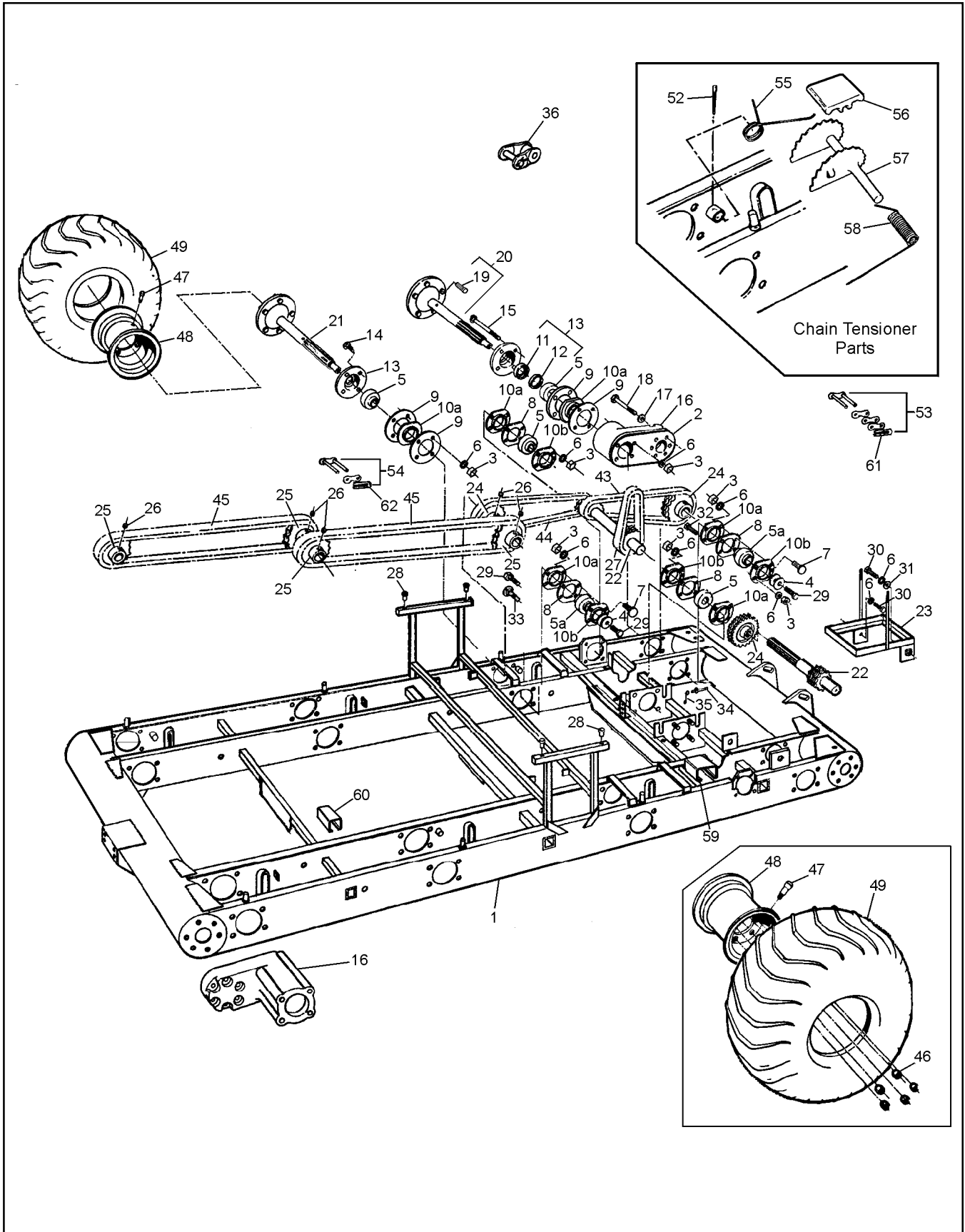


# Conquest Parts Manual

# 6.0 Vehicle Body & Firewall

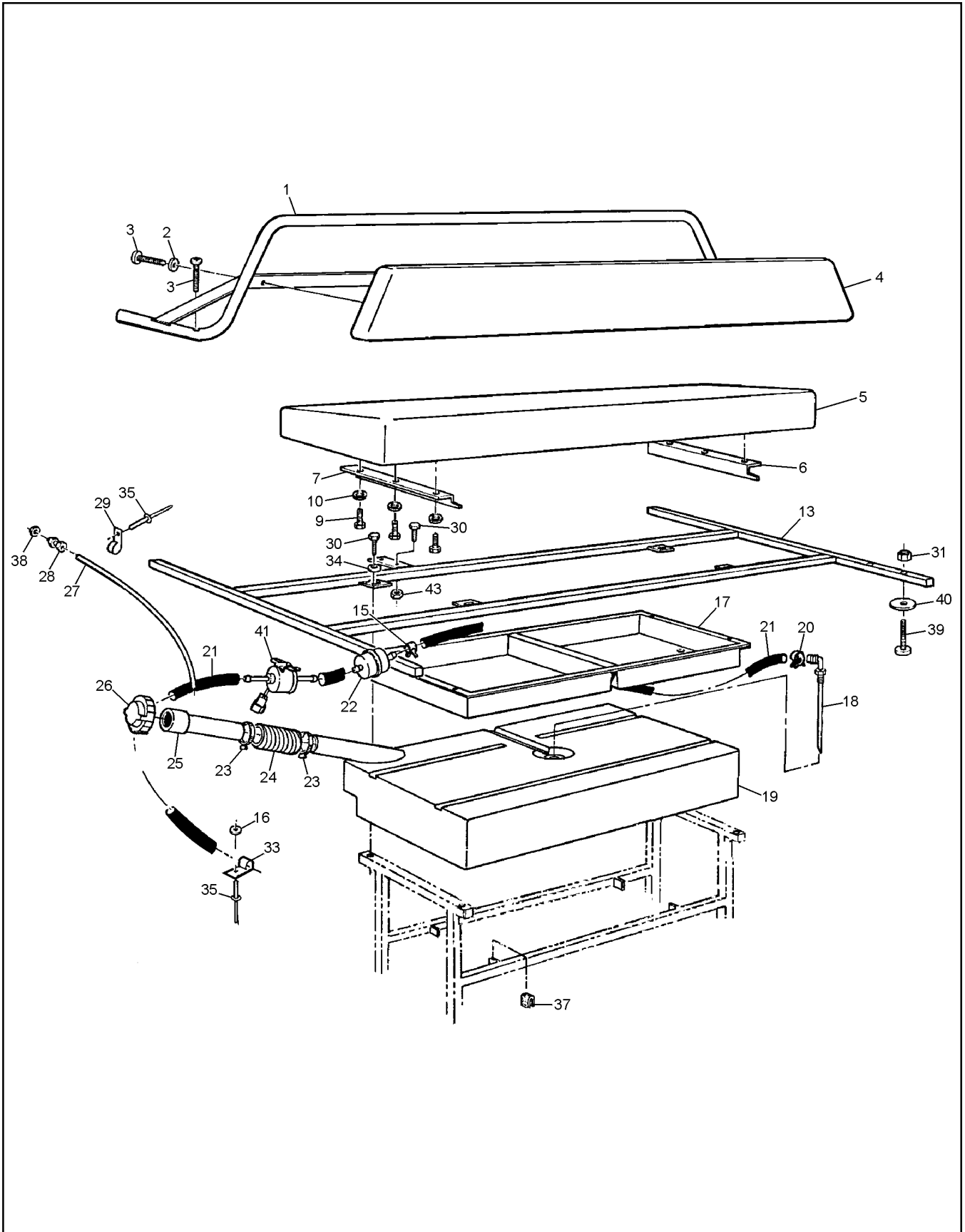
Ref.	Qty.	Part #	Description
1	1	801-98	Body & Hood, Upper - Conq, (spec. colour) (incl. Ref 5,11,12,13,14,15)
2	1	801-48BL	Body, Lower - Conq, (spec. colour)
3	1	127-28	Plug, Nylon - Black
4	1	801-05	Bumper, Vinyl - 8x8
5	1	602-34	Hood Kit - Conq, (spec. colour) (incl. 7,8,9,10,81,82,83,84)
7	1	602-38	Clip, Hood
8	23	120-13	Rivet 3/16x5/8 - Black
8b	63	120-09	Rivet 3/16x1 - Black
9	2	126-10	Wing Stud
10	2	126-09	Grommet, Alum.
11	1	602-24	Frame Asm, Hood
12	2	120-15	Rivet 1/8x7/16
13	1	601-69	Spring Plate
14	1	126-11	Spring
15	2	103-72	Screw, IHWH T/C Slot 1/4-20x3/4
16	1	602-29	Brace, Dash
17	1	601-08	Trim, Vinyl - 84"
18	2	601-09	Trim, Vinyl - 28"
19	4	112-04	HHCS 1/4-20x3/4 Gr2 Zc
20	16	108-25	Washer .31x.75x.06 Zc
21	4	108-03	Lockwasher 1/4
22	4	801-41	Washer, Seat
23	4	126-79	Bumper, Plastic - Black
25	8	103-48	T/S Pan HD PHIL #10x5/8
26	26	120-24	Rivet, 3/32x3/8 Alum.(all plates)
27	4	117-44	T-Nut 1/4-20 Zinc
28	2	127-27	Nameplate - Conquest
28b	1	601-44	Nameplate - Argo
29	1	801-03	Seat, Rear LH - 8x8
30	1	801-02	Seat, Rear RH - 8x8
31	1	609-33	Firewall - Hydraulic Brakes
32	1	803-02	Floor Pan - Front - (spec. colour)
33	1	803-03	Floor Pan - Rear - (spec. colour)
36	57	120-04	Washer .19x.50x.08 Zinc

Ref.	Qty.	Part #	Description
37	1	126-60	Vinyl Strip 1/2"x1/4"x37.5'
38	4	120-05	Washer .19x.50x.04 Zc
39	6	100-16	Clip, Hitch Pin 1.625 Zc
40	2	100-18	Plug, Drain 5/8"x13/32"
41	32	120-28	Collar, Magna Grip
43	32	120-27	Pin, Magna Grip
44	1	863-11	Skid Plate, 8x8 - Black
45	1	126-88	Bumper, Rubber
47	4	103-61	HHCS 3/8-24x1.5 Gr5 Zc
48	4	117-24	Locknut, Nylon 3/8-24 Zc
49	1	616-16	Hitch Assembly
50	1		Vehicle ID Plate, Alum.
51	1	126-65	Plate, Shifting
52	1	127-97	Plate, Caution - Keyswitch
53	1	126-67	Plate, Floor Pan
54	1	126-68	Plate, Operation
55	1	126-69	Plate, Fuel
56	1	127-76	Plate, Cap. Land/Water
58	1		U.S. Plate, Non-U.S. Argos only
61	1	125-41	Handle, Dash (incl. 62)
62	2		Plug Cap, (avail. only with 61)
63	3	117-10	Locknut, Nylon #10-24 Zc
65	3	103-25	PHMS #10-24x3/4 Zinc
66	1	125-84	Grommet, Rubber
67	2	127-01	Reflector, Red
69	1	807-73	Screen, Intake - Conquest
70	1	807-74	Screen, Exhaust - Conquest
72	28	120-11	Rivet 5/32 x 9/16 - Black
73	1	117-15	Nut, Fin Hex 3/8-16 Zinc
74	1	602-27	Support, Adjustable
75	1	103-89	C/Bolt 3/8-16x3/4 Gr2 Zinc
76	1	108-06	Lockwasher 3/8
78	1	616-19	Tube, Hitch
79	1	104-13	Pin, Top Link
80	1	104-11	Pin, Lynch
81	2	127-45A	Pin, Hinge
82	2	127-45B	Knuckle, Hinge
83	8	103-47	HHCS 10-24x1/2
84	8	108-59	Lockwasher #10 Int. Tooth Zinc



Ref.	Qty.	Part #	Description
1	1	806-00	Frame Asm - 8x8
2	2	606-24	Gasket - Bearing Extension
3	80	117-29	Locknut, Nylon 3/8-16 Zinc
4	16	108-46	Washer .40x1.37x.12 Hi-Carbon
5	12	101-35	Bearing, Ball - 1.25
5a	8	101-41	Bearing, Ball - 1.0
6	82	108-06	Lockwasher 3/8
7	30	103-88	C/Bolt 3/8-16x1.0 Gr5 Zc
8	12	605-99	Gasket, Flange - Inner
9	16	605-89	Gasket, Flange - Outer
10a	20	605-63	Flange - 4 hole
10b	12	101-20	Flange, Greasable - 4 hole
11	8	102-14	Seal, Oil 1.25x1.75x0.188
12	8	102-15	Seal, Oil 1.25x1.874x0.25
13	8	605-97	Flange Asm, Outer (incl. Refs. 11 & 12)
14	16	112-39	C/Bolt 3/8-16x1.75 Gr5 Zc
15	16	103-67	C/Bolt 3/8-16 x 6 Gr2 Zc
16	4	810-52	Bearing Extension (uses Refs. 17 & 18)
17	24	108-34	Washer 7/16 SAE Zinc
18	24	103-81	HHCS 7/16-20x2.5 Gr5 Zc
19	5x8	103-80	Stud, Wheel 7/16-20x1.125 #B271
20	4	810-73	Axle Asm - Front/Rear (incl. Ref. 19)
21	4	810-75	Axle Asm - Mid (incl. Ref. 19)
22	2	810-32	Shaft, Idler - 11T
23	1	604-84	Frame Asm, Battery
24	6	810-28	Sprocket, Double - 24T
25	8	606-34	Sprocket, S60x19T
26	10	112-03	SHSS 5/16-18x3/8 1/2 DOG, PL
27	2	803-17	Chain, Idler RC50-2x40P (incl. Ref. 53)
28	4	117-64	Insert, 1/4-20
29	12	112-31	HHCS 3/8-16x1.0 2B Gr8 Zc
30	2	112-14	HHCS 3/8-16x.75 Gr5 Zc
31	1	108-15	Washer 3/8 SAE Zc
32	2	103-82	HHCS 3/8-16x1.5 Gr5 Zc
33	4	112-61	C/Bolt 3/8-16 x 1.25 Gr5 Zc
34	2	120-15	Rivet 1/8x7/16
35	1	126-11	Spring
36		127-80	Link, Half - RC60 - 1 (opt.)
43	2	603-17	Chain, RC50-2 x 42P-Front (incl. Ref. 53)
44	2	603-20	Chain, RC50-2 x 70P-Mid (incl. Ref. 53)
45	4	603-93	Chain, RC60-1 x 84P-Rear (incl. Ref. 54)
46	5x8	117-35	Nut, Wheel 7/16-20 Zc
47	8	125-26	Valve, Tire
48	8	125-13C	Rim - Charcoal
49	8	126-96	Tire, Goodyear Runamuk 22x10-8
52	6	100-01	Pin, Cotter 1/8x1.50 Zc
53	1x6	100-96	Con. Link, RC50-2 H.D.
54	1x4	603-84	Con. Link, RC60-1 H.D.
55	6	127-65	Spring Torsion - 1.16x0.35
56	6	606-39	Slider Block -1/2" Shaft
57	6	606-35	Tensioner Asm, Chain
58	6	127-64	Spring, Torsion - .76x1.9
59	2	606-41	Slide, Chain - 2"
60	4	606-42	Slide, Chain - 1.25"
61		603-95	Spring Clip - RC 50 Closed
62		603-96	Spring Clip - RC 60 Closed

# 8.0 Fuel System & Seat Assembly Conquest Parts Manual



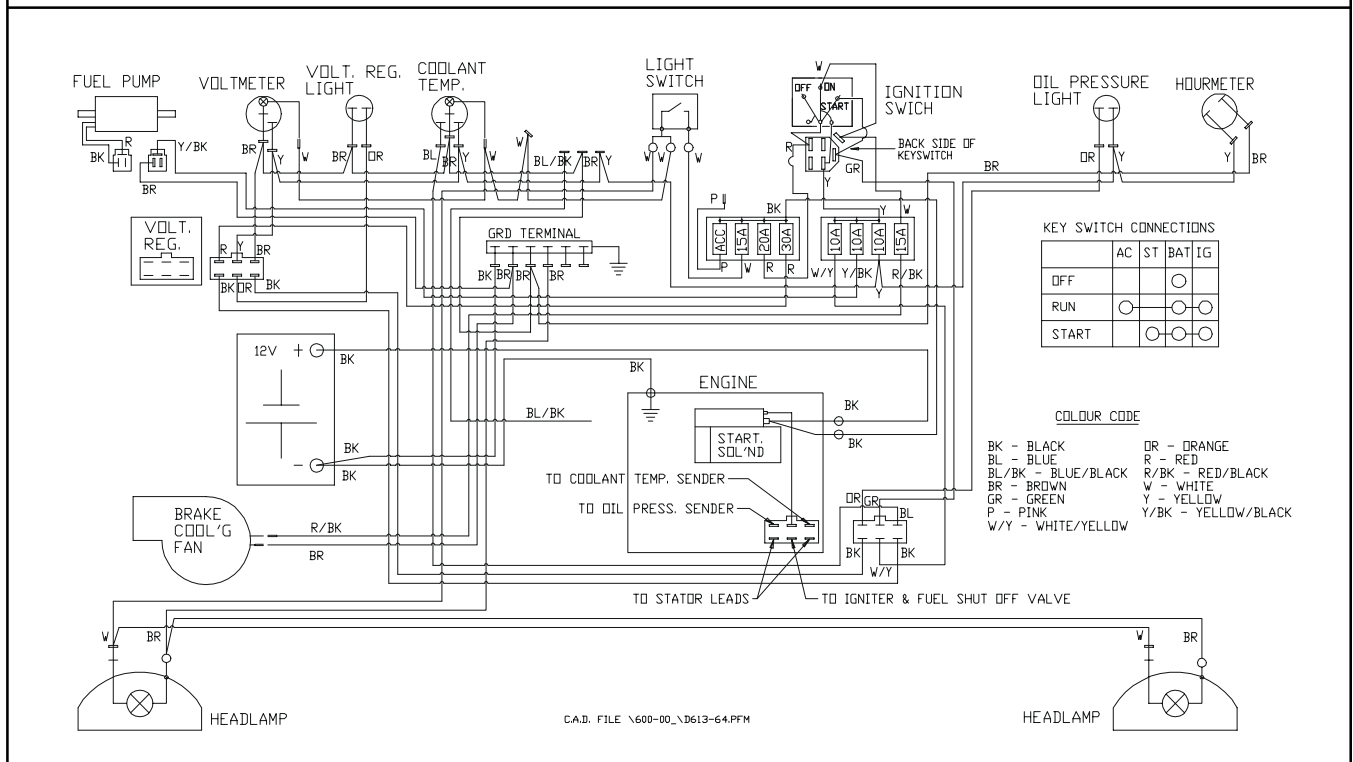
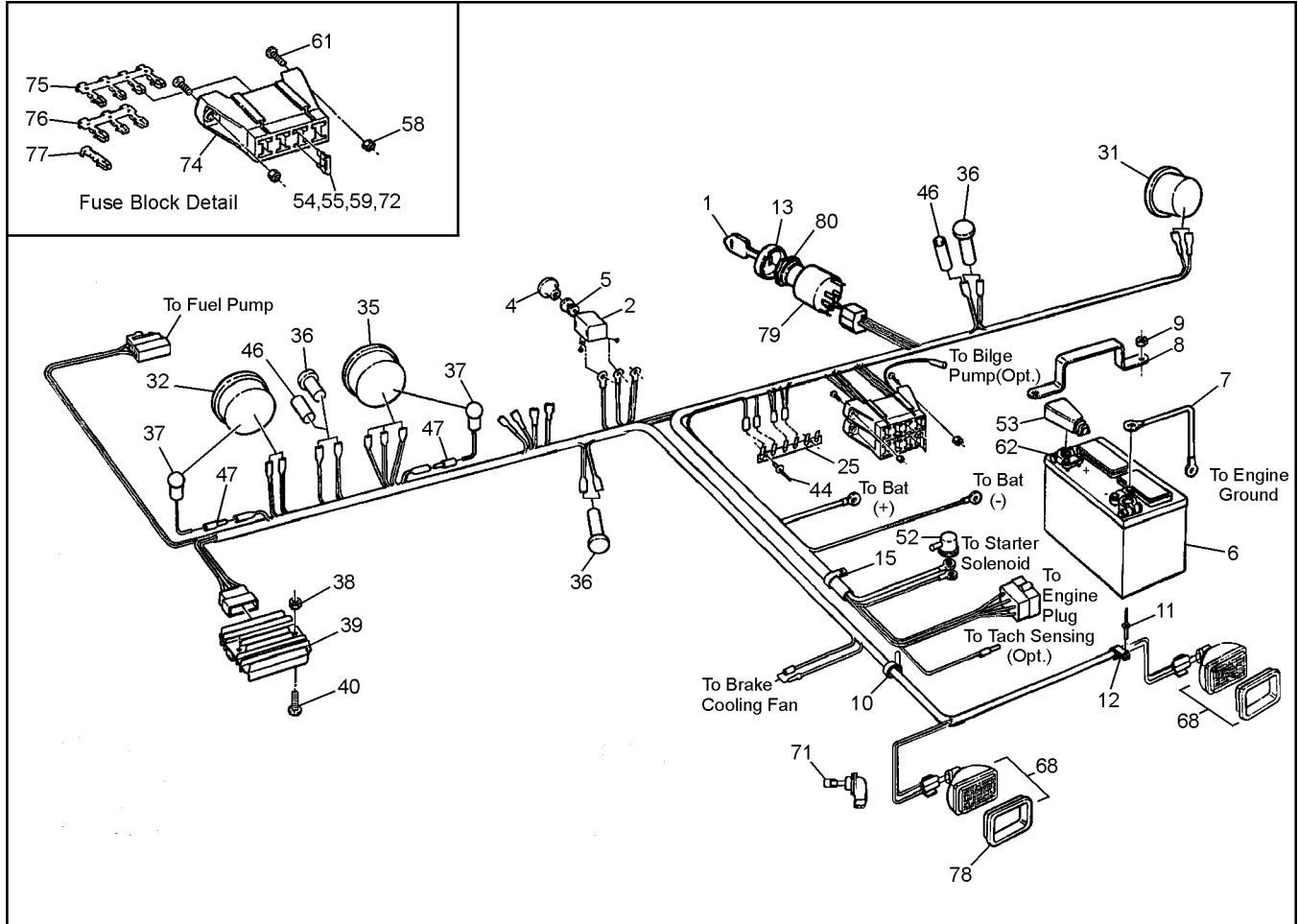


# Conquest Parts Manual 8.0 Fuel System & Seat Assembly

Ref.	Qty.	Part #	Description
1	1	803-50	Handrail Assembly
2	4	108-03	Lockwasher 1/4
3	6	112-41	PHMS, PHIL 1/4-20x1.25 Zinc
4	1	608-39	Back Pad Asm
5	1	608-43	Seat, Bench
6	1	608-30	Angle, Left
7	1	608-31	Angle, Right
9	6	112-04	HHCS 1/4-20x3/4 Gr2 Zc
10	6	108-03	Lockwasher 1/4
13	1	804-17	Frame Asm, Seat
15	2	112-78	Clamp, Hose, 9/16" - Black
16	2	120-04	Washer .19x.50x.08 Zinc
17	1	608-32	Tool Box
18	1	608-28	Pickup Assembly, Fuel (See Ref. 19)
19	1	608-24	Tank, Fuel - 32 litre (incl. Ref. 18)
20	4	112-79	Clamp, Hose, 1/2" - Black
21	1	608-42	Fuel Hose - 110"
22	1	125-64	Fuel Filter
23	2	100-12	Clamp, Gear 2.25" HF-36
24	1	125-94	Hose, Filler
25	1	126-47	Neck Asm, Fuel
26	1	126-46	Cap, Fuel
27	1	127-21	Hose, Vent - 86"
28	1	126-50	Male Connector, 1/4"
29	5	126-94	Clamp, Nylon Wire - 1/4"ID
30	6	112-04	HHCS 1/4-20x3/4 Gr2 Zc
31	12	117-10	Locknut, Nylon #10-24 Zc
33	3	126-93	Clamp, Nylon Wire - 1/2"ID
34	4	108-08	Washer .28x.62x.04 Zinc
35	8	120-09	Rivet 3/16x1 - Black
37	4	702-06	Foam Cushion
38	1	117-54	Nut, Locking PAL 1/2-20 Zc
39	12	112-07	RHMS 10-24x1.25 Zc
40	12	108-42	Washer .21x1.0x.06 Zinc
41	1	49040-2065	Pump, Fuel
43	2	117-27	Locknut, Nylon 1/4-20 Zc

# 9.0 Electrical System

# Conquest Parts Manual



Ref.	Qty.	Part #	Description
1	2	127-108	Key, Molded
2	1	100-62	Switch, Light
3	1	613-64	Wire Harness - Conquest (incl. Fuse Holders)
4	1	126-76	Knob, Light
5	1	108-55	Lockwasher 7/16 External Tooth
6	1	127-54	Battery, Exide 45-50
7	1	613-14	Wire, Ground - 14"
8	1	604-52	Bracket, Battery Retaining
9	2	117-21	Locknut, Nylon 5/16-18 Zc
10	8	100-64	Tie Wrap, 5.5" - Black
11	6	120-13	Rivet 3/16x5/8 - Black
11a	10	120-09	Rivet 3/16x1 - Black
12	16	126-93	Clamp, Nylon Wire-1/2" ID
13	1	127-107	Cover, Nut
15	5	127-24	Clamp, Nylon - 1" ID
25	1	613-37	Terminal Strip, Ground
31	1	632-15	Hourmeter
32	1	633-10	Voltmeter
35	1	634-22	Gauge, Water Temperature
36	3	634-08	Light, Indicator
37	2	634-10	Light Kit, #06215-00
38	2	117-27	Locknut, Nylon 1/4-20 Zc
39	1	21066-2070	Regulator, Voltage
40	2	103-63	PHMS, PHIL 1/4-20x1.0 Zc
44	2	120-15	Rivet 1/8x7/16
46	2	118-48	Heat Shrink, 2 x 1/2
47	2	118-02	Terminal, Male #76-1251
52	1	613-46	Terminal Insulator (2 ga.)
53	1	127-55	Cap, Battery Terminal
54	1	118-53	Fuse, 20A 2 prong (AT020)
55	2	118-49	Fuse, 15A 2 prong (AT015)
58	4	117-10	Locknut, Nylon #10-24 Zc
59	3	118-52	Fuse, 10A 2 prong (AT010)
61	4	103-25	PHMS #10-24x3/4 Zc
62	2	127-56	Terminal, Battery Post
68	2	613-62	Headlamp Asm (incl. Refs. 71 & 78)
71	2	127-46	Bulb, Headlight - Halogen
72	1	118-51	Fuse, 30A 2 prong (AT030)
74	2	118-60	Block - Fuse, 8 position (4 fuse)
75	1	118-61	Terminal - Fuse, quad
76	1	118-63	Terminal - Fuse, triple
77	9	118-62	Terminal - Fuse, single
78	2	613-62RB	Bezel, Rubber Headlamp
79	1	127-105	Switch, Ignition
80	1	127-106	Nut, flanged, plastic

# ***ARGO* Products Manufactured by:**

## **Ontario Drive & Gear Limited**

P.O. Box 280, 220 Bergey Court  
New Hamburg, Ontario  
Canada N0B 2G0  
Phone: (519) 662-2840  
Fax: (519) 662-2421

**ODG** *Dedicated to quality and performance*