



ARGO

CONQUEST PARTS MANUAL

**Model Nos. V899-37 &
V899-38**

From Serial # CB19686

Foreword

ODG has prepared this parts manual for the CONQUEST model to assist both qualified mechanics and vehicle owners in ordering correct, quality replacement ARGO parts.

Proper and regular service, and replacing old, worn or broken parts with the correct ARGO replacement parts, are both essential to prolonging the life of the ARGO. Please refer to this parts manual before ordering any replacement part.

All information contained in this CONQUEST Parts Manual is based on the latest product specification available at time of printing. If your CONQUEST differs from the specifications contained in this manual, contact Ontario Drive & Gear Limited for information.

ODG reserves the right to alter specifications on the CONQUEST model at any time, without obligation or prior notification.

Reproduction of this CONQUEST Parts Manual, in whole or in part, is prohibited without prior written permission from Ontario Drive & Gear Limited.

Model Identification

CONQUEST - Model Nos. V899-37 and V899-38

Explanation of Parts Manual Format

- Ref** - Reference number between assembly diagram and component parts list
- Part No.** - Argo replacement part number for identification and re-ordering
- Description** - Part description for identification and re-ordering
- Qty** - Indicates the quantity of a part used in an Assembly

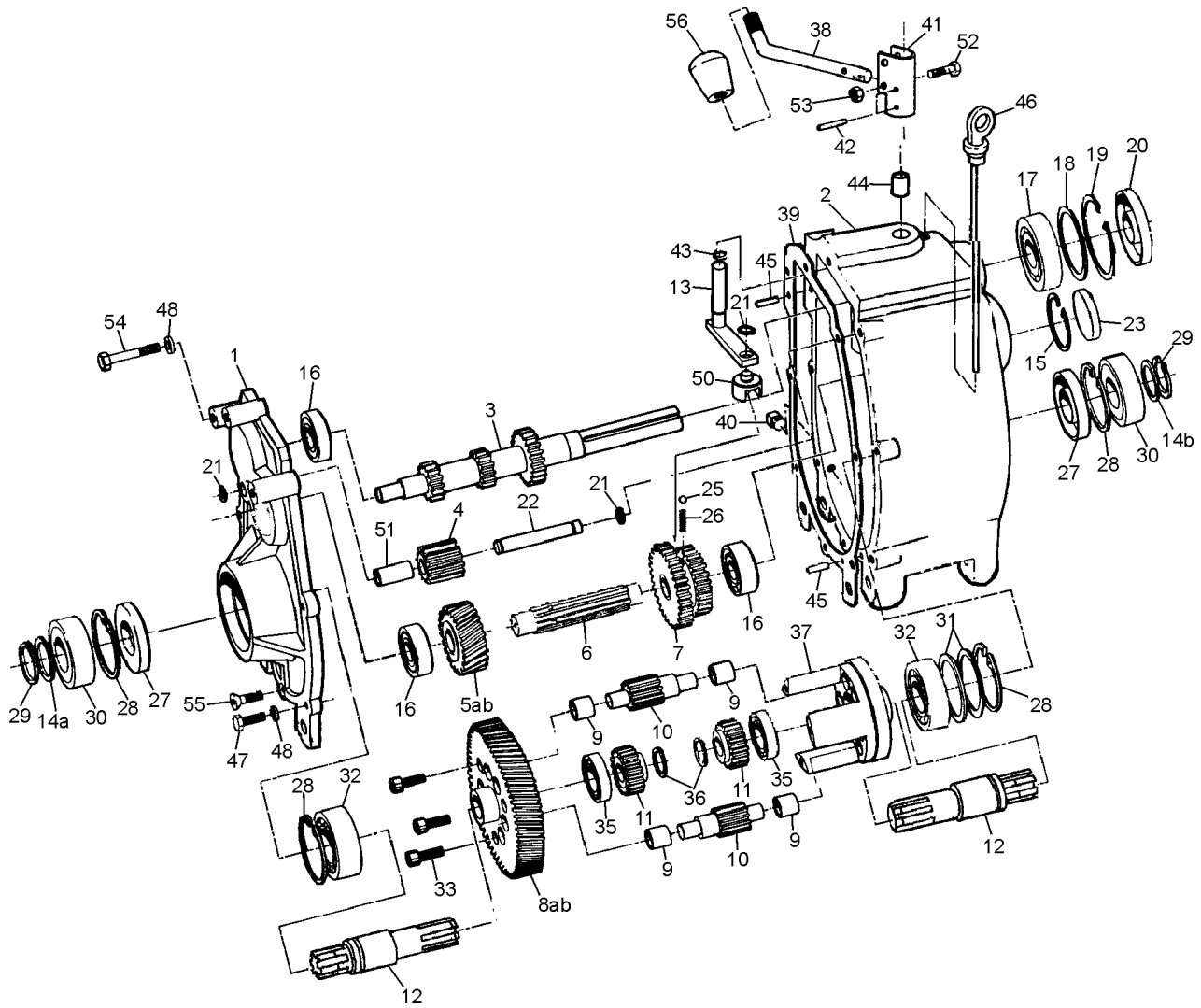


Using the Parts Manual

1. Find the major vehicle assembly in the Table of Contents on this page, and turn to that section.
2. Locate the part in the illustration that you wish to order.
3. Refer to the parts list in that section.
4. Find the correct part number (Part No.), part description (Description) and correct quantity (Qty).
5. Use *only* this information to order ARGO replacement parts. *DO NOT* attempt to order a replacement part by reference number or page number.

Table of Contents

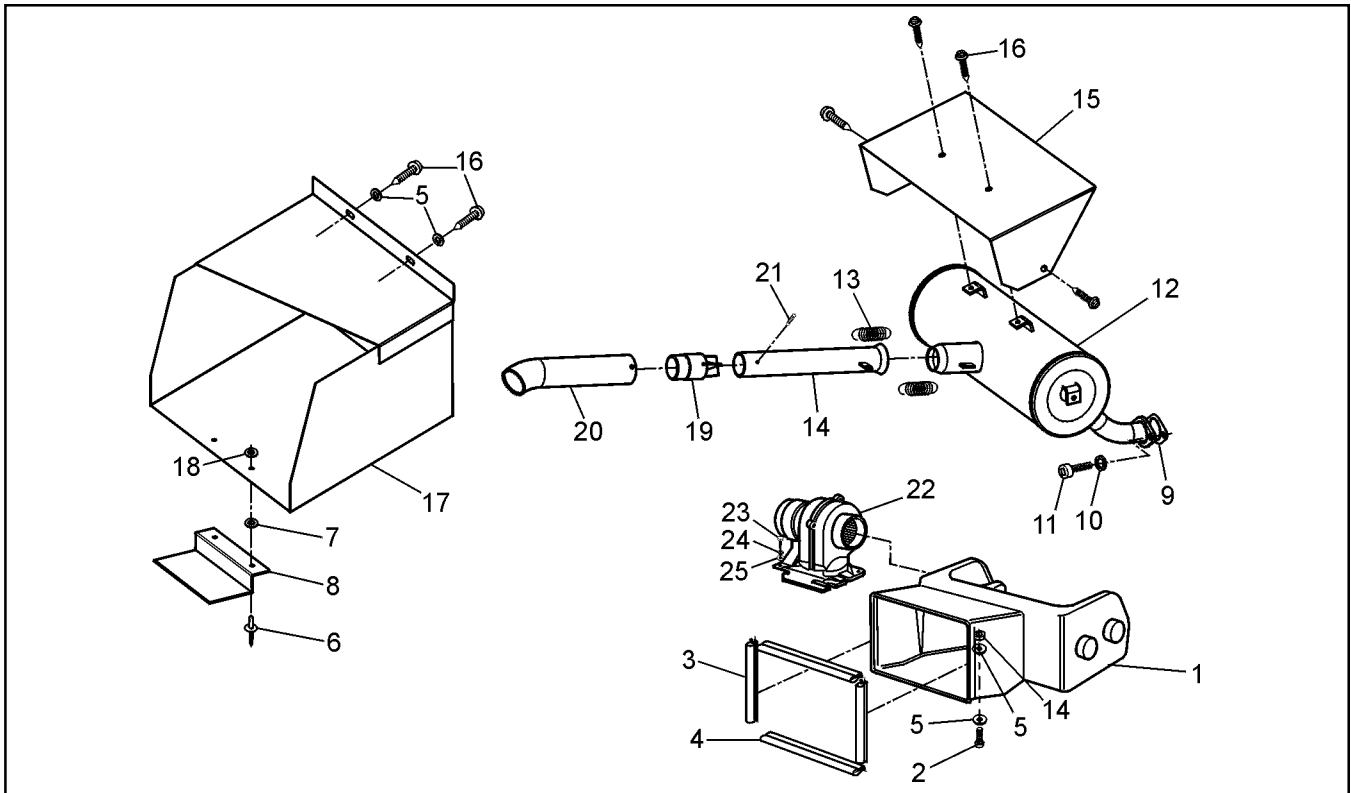
Foreword	i
Model Identification	i
Using the Parts Manual	ii
1.0 Transmission	1
2.0 Intake and Exhaust System	3
3.0 Clutch System	4
4.0 Power Pack Assembly	5
5.0 Brake System - Hydraulic	7
6.0 Vehicle Body & Firewall	9
7.0 Frame & Drive System	11
8.0 Fuel System & Seat Assembly	13
9.0 Electrical System	15



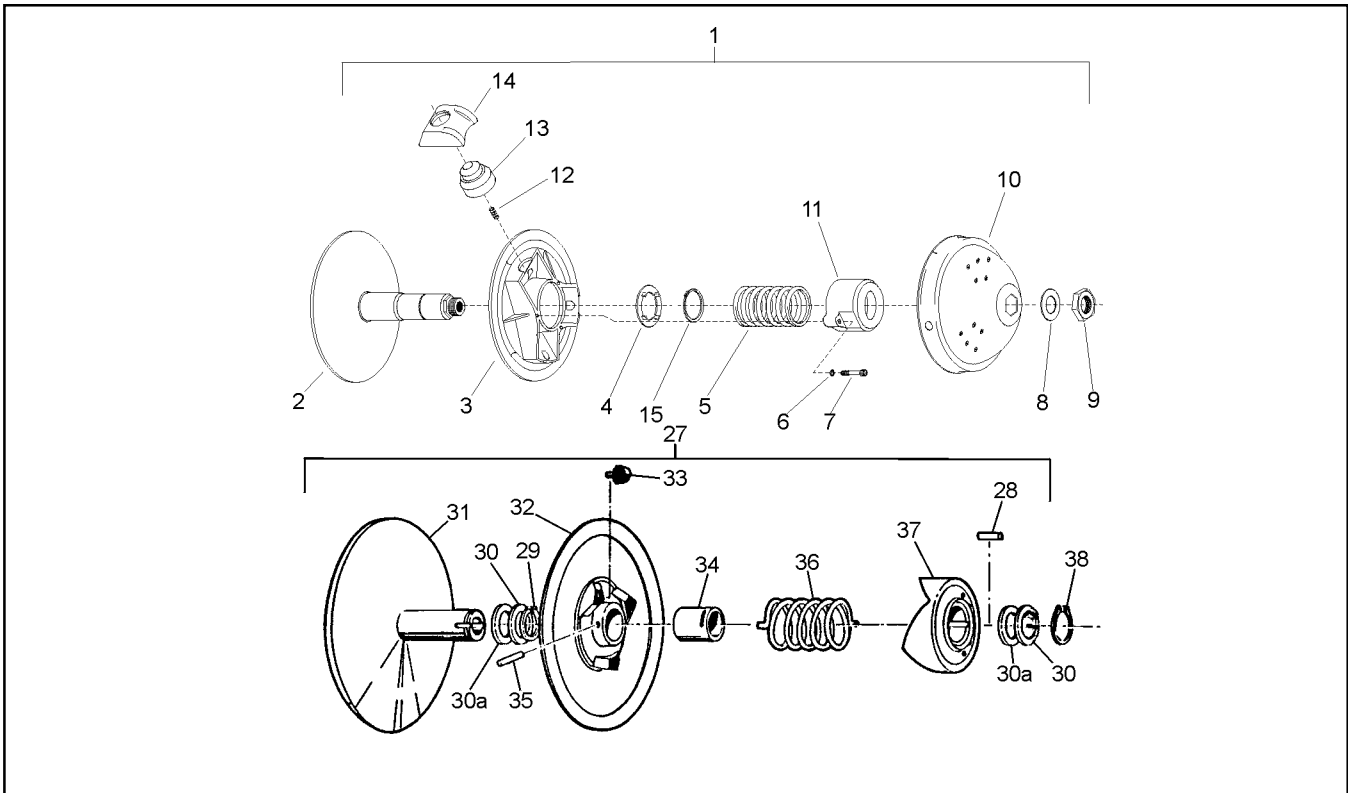
Ref.	Qty.	Part #	Description
		610-18M	Transmission Asm - M, does not include Refs 38, 52, 53 & 56, uses Refs 5a & 8a
		610-18G	Transmission Asm - G, does not include Refs 38, 52, 53 & 56, uses Refs 5b & 8b
1	1	34-68	Cover, Transmission
2	1	34-99	Housing, Transmission
3	1	34-21	Shaft, Input - 13/21T
4	1	34-16A	Gear, Idler - 13T (incl. Ref 51)
5a	1	34-95	Gear, Helical - 24T - M
5b	1	34-97	Gear, Helical - 21T - G
6	1	34-94	Shaft, Spline
7	1	34-91	Gear, Double - 26/33T
8a	1	34-22	Gear Plate - 73T - M
8b	1	34-45	Gear Plate - 76T - G
9	12	105-03	Bushing, Oilite - 1/2 x 3/4
10	6	34-13	Gear, Planet - 12T
11	2	34-14	Gear, Sun - 21T
12	2	34-98	Shaft, Output
13	1	34-65	Shifter Asm.
14a	1	114-04	Washer, Shim .040 Thk
14b	1	114-05	Washer, Shim .020 Thk
15	1	106-01	Retaining Ring
16	3	101-01	Bearing, Ball 6204Z-C3
17	1	101-16	Bearing, Ball 6206-C3
18	as req.	114-02	Washer, Shim 2.06x2.42x.02
19	1	106-05	Retaining Ring
20	1	102-05	Seal, Oil WBS 30x62x10
21	3	107-05	Retaining Ring
22	1	34-11	Pin, Dowel 1/2 x 3.50
23	1	31-07	Plug Plate
25	1	109-05	Ball, Steel 6mm 62-67 Rc
26	1	34-32	Spring, Compression - 7/32x.50
27	2	102-03	Seal, Oil WBS 30x72x10
28	4	106-03	Retaining Ring
29	2	107-02	Retaining Ring
30	2	101-05	Bearing, Ball 6306-2NSE C3
31	2	114-01	Washer, Shim 2.25x2.81x.02
32	2	101-03	Bearing, Ball 6207-C3
33	3	103-04	SHCS 5/16-18x1.0 Bare
35	2	101-15	Bearing, Ball 6005-C3
36	2	107-04	Retaining Ring
37	1	34-08	Cage
38	1	610-77	Lever, Shift
39	1	34-47	Gasket, Cover - 1/64" Thk
40	1	103-02	Plug, Magnetic 3/8-18 NPT
41	1	34-86	Holder, Shift Lever
42	2	111-01	Pin, Spring 5/32x1.0
43	1	113-01	O-Ring
44	1	105-02	Bushing, Oilite - 1/2 x 1.0
45	2	104-03	Pin, Dowel 1/4 x 7/8
46	1	34-77	Dipstick, with breather
47	4	103-06	HHCS 5/16-18x1.0 GR5 Zc
48	7	108-05	Lockwasher 5/16
50	1	34-63	Shift Yoke
51	1	105-05	Bushing, Oilite - 1/2 x 1.5 (in Ref. 4)
52	1	103-97	HHCS 1/4-20x1.25 GR5 Zc
53	1	117-27	Locknut, Nylon 1/4-20 Zc
54			See Section 4.0 Power Pack Assembly
55	1	103-95	FHSC 5/16-18x1.0 GR8 Zc
56	1	126-38	Knob, Shift

2.0 Intake and Exhaust System

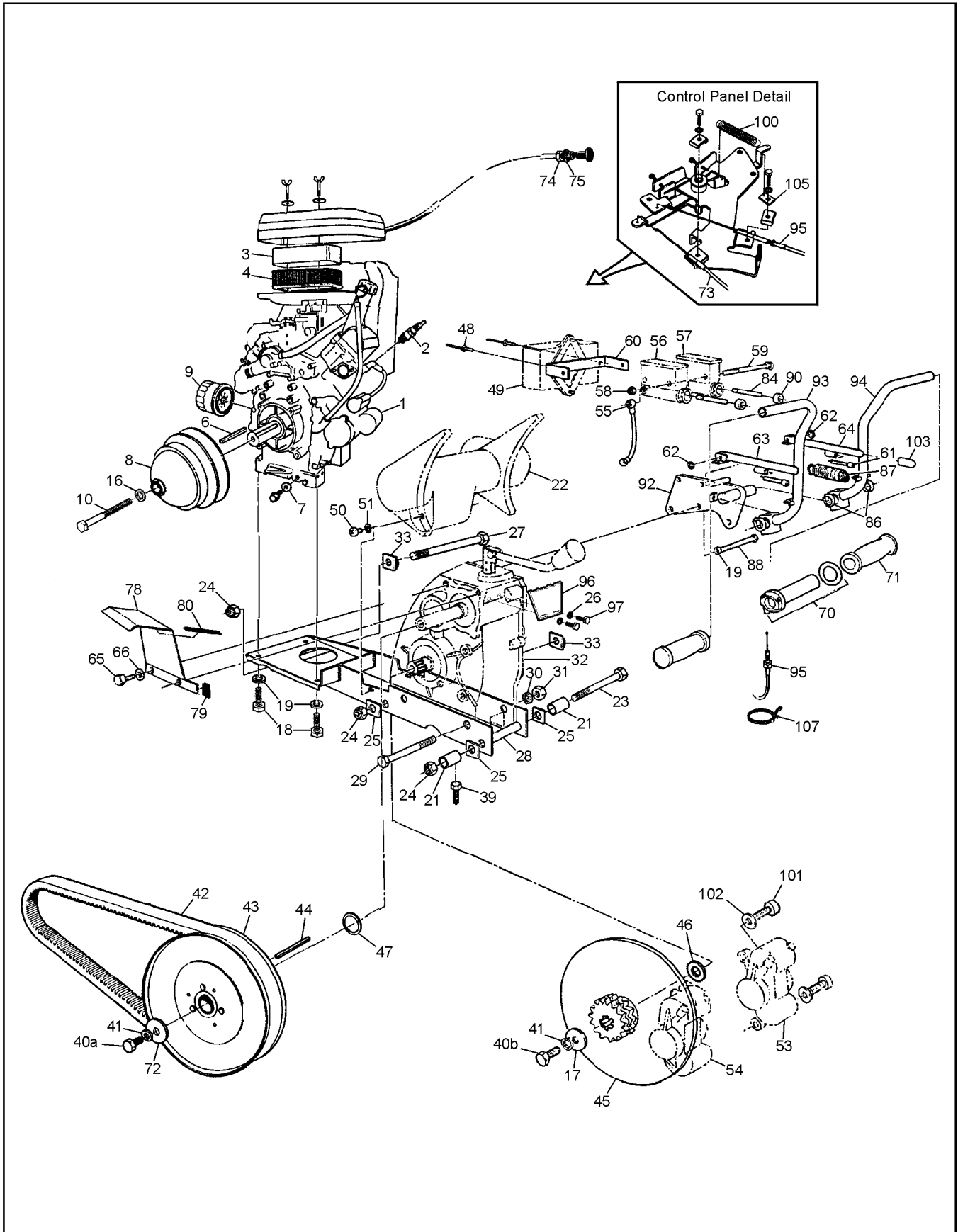
Conquest Parts Manual



Ref.	Qty.	Part #	Description
1	1	807-76	Duct, Intake
2	2	103-63	PHMS, PHIL 1/4-20x1.0 Zinc
3	2	807-78	Seal, Radiator - 9.75" LG
4	2	807-77	Seal, Radiator - 11.5" LG
5	6	108-01	Washer, Fender 1/4 BS x1.25 OD
6	2	120-13	Rivet 3/16 x 5/8 - Black
7	2	125-58	Washer, Fibre - W-77F
8	1	707-28	Support, Exhaust Duct
9	2	11060-2079	Gasket
10	4	108-02	Lockwasher 5/16 Hi-Collar Bare
11	4	112-30	SHCS M8x1,25x20mm Zinc
12	1	807-95	Muffler, Kawasaki V-Twin
13	2	126-57	Spring, Extension- 7/16x2.14
14	1	807-97	Pipe, Muffler Tail - Kawasaki
15	1	807-94	Shield, Heat - Kawi Muffler
16	6	112-19	Screw, IHWH T/C Slot 1/4-20x1/2
17	1	807-96	Duct, Exhaust - Kawasaki
18	2	120-04	Washer .19x.50x.08 Zinc
19	1	807-67	Spark Arrester
20	1	807-89	Tube, Tailpipe Outlet
21	1	112-43	Screw IHWH #8x3/8
22			See Section 5.0 Brake System
23	4	103-47	HHCS, #10-24X1/2
24	4	120-05	Washer, .19x.50x.04
25	4	108-59	Lockwasher #10 Int. Tooth



Ref.	Qty.	Part #	Description
1	1	127-71	Clutch, Driver - Keyed (incl. Refs 2 to 14)
2	1	0405-0044	Pulley, Half - Fixed
3	1	0410-0006	Pulley, Half - Sliding
4	1	V09	Plate, Spring Guide
5	1	V10-48-103-18	Spring
6	3	420-2453-700	Lockwasher
7	3	222-9640-66	SHCS
8	1	0080-0153	Washer, Zc
9	1	0080-0100	Nut
10	1	0115-0003(A)	Cap
11	1	0440-0001	Cover, Spring
12	3	C24-L1	Spring, Anti-noise
13	3	0135-2045	Weight, 260g
14	3	0130-3002	Block, Red
15	1	V08C	Retaining Ring
27	1	126-24	Clutch, Driven - Model "B" (incl. Refs 28 to 37)
28	1	ASK-5	Key 1/4x1/4x5/8
29	1	ASR-6	Retaining Ring
30	as req	ASA-1-S	Spacer .025" Thick
30a	as req	ASA-1	Spacer .050" Thick
31	1	AFK25.4-250OD01	Pulley, Half - Fixed
32	1	AMC-2-250OD01	Pulley, Half -Sliding incl. Refs. 33, 34 & 35
33	3	ANS-2-T	Shoe, Cam
34	1	AMB-2	Bushing, Bronze
35	1	111-01	Pin, Spring 5/32x1.0
36	1	ACS-3-188	Spring, Blue
37	1	AFC-4-C3D4	Cam
38	1	371-9031-0	Retaining Ring



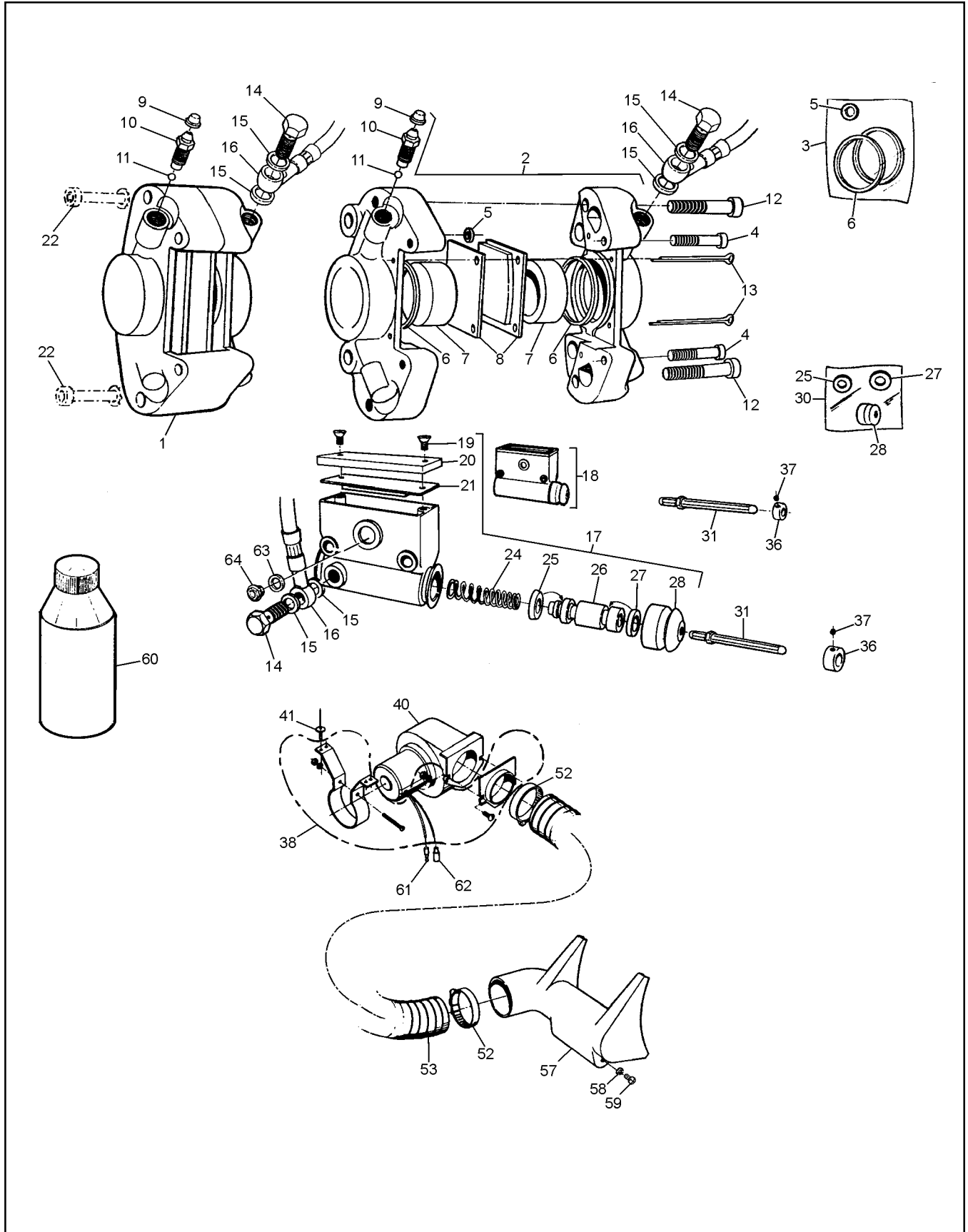
Conquest Parts Manual

4.0 Power Pack Assembly

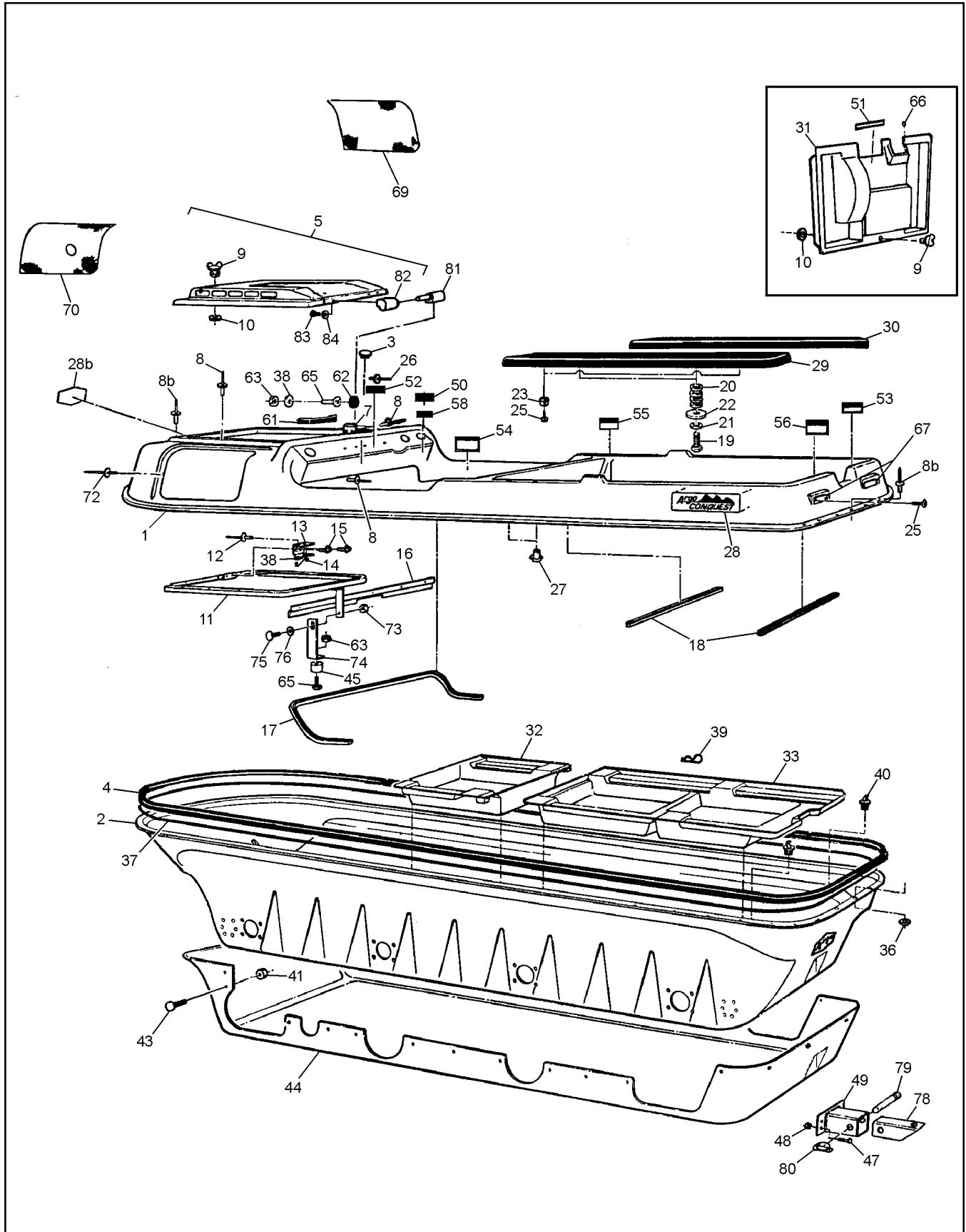
Ref.	Qty.	Part #	Description	Ref.	Qty.	Part #	Description
1	1	FD620D-JS12	Engine - Kawasaki, (incl. Refs. 2, 3, 4, 7, 9, 49)	47	as req	108-36	Washer 1.03x1.37x.06 Zinc
2a	2	92070-2072	Sparkplug, BMR4A (for prior to S/N CB17857)	48	2	120-13	Rivet 3/16x5/8 - Black
2b	2	92070-2112	Sparkplug, BPR4ES (from S/N CB17857)	49	1	21119-2157	Igniter
3	1	11013-2114	Element, Air Filter - Foam	50 to 57			See Section 5.0 Brake System
4	1	11013-2139	Element, Air Filter - Paper	58	2	117-27	Locknut, Nylon 1/4-20 Zc
6	1	110-13	Key 1/4x1/4x2.25	59	2	103-66	HHCS 1/4-20x4.0 Gr5 Zc
7	1	11009-2566	Gasket, Drain Plug	60	1	610-75	Bracket, Igniter
8			See Section 3.0 Clutch System	61	2	103-69	SHCS 1/4-20x1.5 Zc
9	1	127-68	Filter, Oil	62	2	113-02	O-Ring
10	1	112-15	SHCS M10x1,5x90mm	63	1	810-20	Lever Asm, Brake - LH
16	1	108-54	Lockwasher, Hi-Collar - M10	64	1	810-21	Lever Asm, Brake - RH
17	2	108-18	Washer .40x1.37x.12 Zc	65	2	103-17	HHCS 3/8-16x1.0 Gr5 Zc
18	4	112-30	SHCS M8x1,25x20mm Zc	66	2	108-26	Washer 3/8 Zc
19	7	108-05	Lockwasher 5/16 Zc	70	1	127-81	Throttle Twist Grip
21	2	811-14	Spacer	71	2	127-35	Grip, Molded
22			See Section 5.0 Brake System	72	1	108-46	Washer .40x1.37x.12 Hi-Carbon
23	1	112-57	HHCS 5/8-11x10.0 Gr5 Zc	73	1	812-29	Cable Asm, Choke - Conq.
24	3	117-09	Locknut, Nylon 5/8-11 Zc	74	1	117-68	Nut, Jam 3/8-24 UNF Zinc
25	3	811-09	Washer, Square - .64 ID	75	1	108-32	Lockwasher 3/8 Int. Tooth
26	2	108-24	Washer 5/16 SAE Zinc	78	1	603-29	Guard, Belt Protect
27	2	112-58	HHCS 5/8-11x7.5 Gr5 Zc	79	1	601-92	Vinyl Trim - 1.5"
28	1	811-30	Frame, Powerpack - Conq.	80	1	601-93	Vinyl Trim - 4.25"
29	2	103-20	HHCS 1/2-13x6.5 Gr5 Zc	84			See Section 5.0 Brake System
30	2	108-07	Lockwasher 1/2	86	4	106-07	Retaining Ring
31	2	117-06	Nut, Fin Hex 1/2-13 Zc	87	2	127-33	Spring, Extension
32			See Section 1.0 Transmission	88	3	103-55	HHCS 5/16-18x2.75 Gr5 Zc
33	2	811-15	Washer, Square Lock .64ID	90			See Section 5.0 Brake System
39	2	103-53	HHCS 3/8-16x3.0 Gr5 Full Thread	92	1	812-01	Bracket Asm, Steering
40a	1	103-34	HHCS 3/8-16x1.25 Gr5 Zc	93	1	812-27	Lever Asm, Steering - LH
40b	2	103-18	HHCS 3/8-24x1.25 Gr5 Zc	94	1	812-26	Lever Asm, Steering - RH
41	3	108-06	Lockwasher 3/8 Split Ring Zc	95	1	612-101	Cable Asm, Throttle
42	1	125-56	Drive Belt	96	1	610-81	Shift Gate, Transmission
43			See Section 3.0 Clutch System	97	2	112-01	HHCS 5/16-8x3/4 Gr5 Zn
44	1	110-09	Key 1/4x1/4x3.0	100	1	127-11	Spring, Extension
45	2	610-80	Brake Disc #50-2x13T	101	4	103-41	SHCS 3/8-16x1.25 Zc
46	as req	108-75	Washer, Shim 1" id x.5 x .010	102	4	108-23	Washer 3/8 SAE Gr8 - Dich.
				103	2	126-89	Cap, Vinyl - Black
				105	1	601-86	Clip, Retainer
				107	1	100-64	Tie Wrap - 5.5" - Black

5.0 Brake System - Hydraulic

Conquest Parts Manual



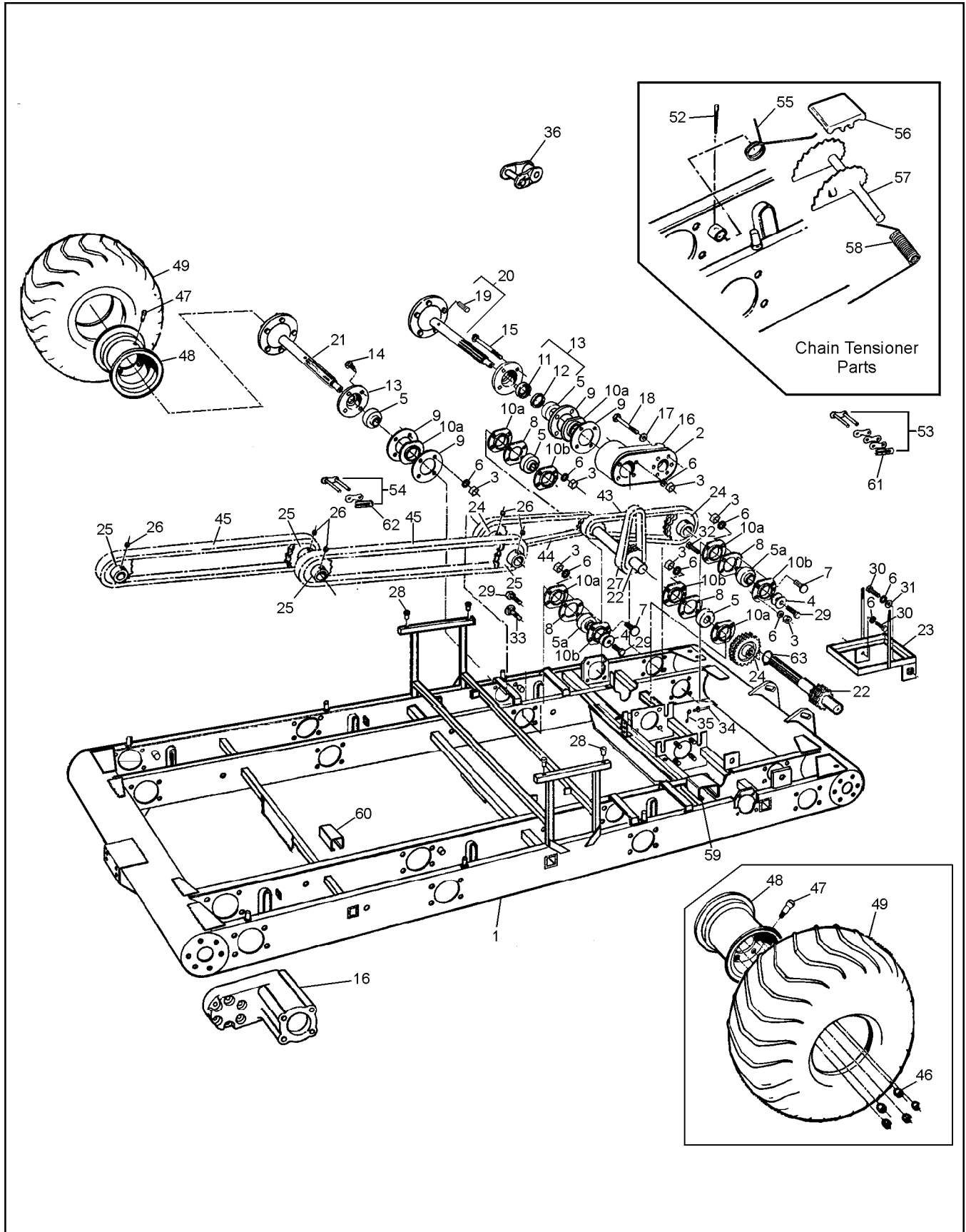
Ref.	Qty.	Part #	Description
1	1	166-01RM	Caliper, Brake - L w/o Pads (incl. Refs 5, 6, 7, 9 - 12)
2	1	166-02RM	Caliper, Brake - R w/o Pads (incl. Refs 5, 6, 7, 9 - 12)
3	2	161-01	O-Ring Kit, Caliper (incl. Refs 5 & 6)
4	2	160-40	SHCS M8x1,25x40 Zc
5	1		Seal, Rubber - 5mm (see Ref 3)
6	2		Seal, Piston - 41mm (see Ref 3)
7	2x2	168-05	Piston 41mm
8	1	170-02	Brake Pad Set (4) - Metallic (Asbestos-free)
9	1x2	168-20	Plug, Rubber
10	1x2	168-03	Screw, Bleeding M10x1,0
11	1x2	109-03	Ball, Steel - 7/32 Dia.
12	2x2	160-41	SHCS M10x1,5x50mm Zc
13	2x2	168-06	Pin, Cotter 3,2x50mm
14	4	160-44	Bolt, Banjo-M10x1,0x21,0 Zc
15	8	160-01	Washer, Copper-1,5x10,0x14,0
16	1x2	163-01	Hose Asm, Hydraulic-310mm
17	1	165-06	Master Cylinder - left (incl. Refs 19 to 21, 24 to 28, 63 & 64)
18	1	165-05	Master Cylinder - right (incl. Refs 19 to 21, 24 to 28, 63 & 64)
19	2x2	160-42	FHMS M5x0,8x6mm
20	1x2	168-08	Cover
21	1x2	168-09	Cover, Rubber
22			See Section 4.0 Power Pack Assembly
24	1x2	162-02	Spring, Comp. 0.59x1.5
25	1x2		Seal, Primary, 19mm (See Ref. 30)
26	1x2	168-10	Piston 19mm dia.
27	1x2		Seal, Secondary, 19mm (See Ref. 30)
28	1x2		Boot, Rubber (See Ref. 30)
30	1x2	161-25	O-Ring Kit - Master Cylinder (incl. Refs 25, 27 & 28)
31	2	812-13	Pin Asm, Plunger-Adjustable
36	2	812-17	Collar
37	2	112-02	SHSS 10-24x1/4 Knurl Cup PT, PL
38		125-92	Adpt. & Mounting Kit - includes the following:
	1		Mounting Bracket
	1		Nut, #10-32
	1		Lockwasher, 3/16"
	1		Screw, #10-32x2"
	2		Nut, 1/4-20
	2		Lockwasher, 1/4"
	2		Screw, 1/4-20x5/8"
	1		Adaptor, 3" dia.
40	1	125-91	Blower Fan
41			See Section 2.0 Intake and Exhaust System
52	2	125-35	Clamp, Gear 3.50" HF-52
53	1	127-06	Hose, Intake - 3" dia. x 26"
57	1	126-36	Brake Cool Air Duct
58	2	108-56	Lockwasher 1/4 Ext. Tooth
59	2	103-63	PHMS, Phil 1/4-20x1.0 Zinc
60		126-19	Fluid, Brake - Silicon Dot 5 - .35L
61	1	118-02	Terminal, Male #76-1251
62	1	118-03	Terminal, Female #76-1289
63	1x2	160-03	O-ring, Oil Window
64	1x2	168-14	Oil Window, Master Cylinder



Conquest Parts Manual

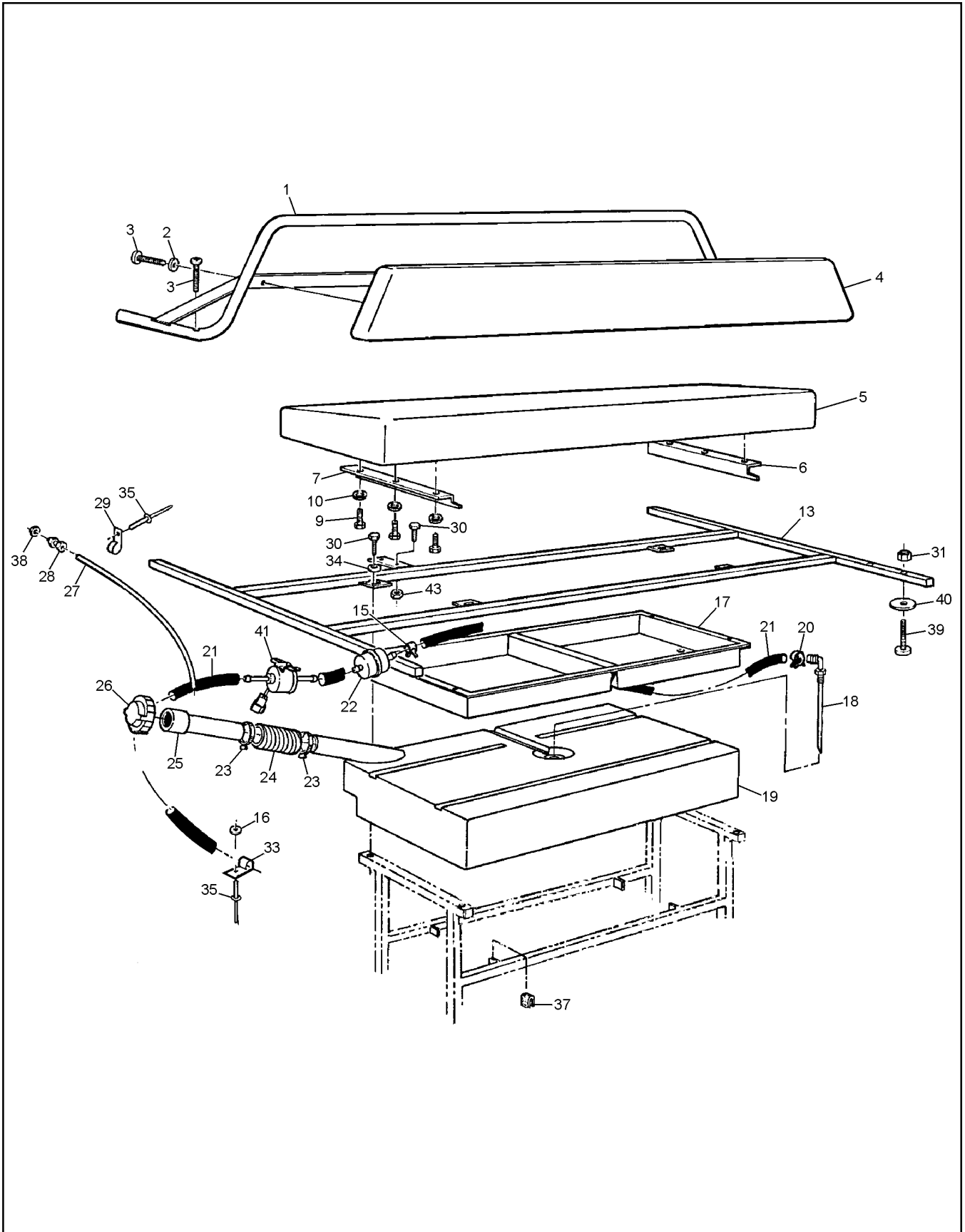
6.0 Vehicle Body & Firewall

Ref.	Qty.	Part #	Description	Ref.	Qty.	Part #	Description
1	1	801-98	Body & Hood, Upper - Conq, (spec. colour) (incl. Ref 5,11,12,13,14,15)	37	1	126-60	Vinyl Strip 1/2"x1/4"x37.5'
2	1	801-48BL	Body, Lower - Conq, (spec. colour)	38	4	120-05	Washer .19x.50x.04 Zc
3	1	127-28	Plug, Nylon - Black	39	6	100-16	Clip, Hitch Pin 1.625 Zc
4	1	801-05	Bumper, Vinyl - 8x8	40	2	100-18	Plug, Drain 5/8"x13/32"
5	1	602-34	Hood Kit - Conq, (spec. colour) (incl. 7,8,9,10,81,82,83,84)	41	32	120-28	Collar, Magna Grip
7	1	602-38	Clip, Hood	43	32	120-27	Pin, Magna Grip
8	23	120-13	Rivet 3/16x5/8 - Black	44	1	863-11	Skid Plate, 8x8 - Black
8b	63	120-09	Rivet 3/16x1 - Black	45	1	126-88	Bumper, Rubber
9	2	126-10	Wing Stud	47	4	103-61	HHCS 3/8-24x1.5 Gr5 Zc
10	2	126-09	Grommet, Alum.	48	4	117-24	Locknut, Nylon 3/8-24 Zc
11	1	602-24	Frame Asm, Hood	49	1	616-16	Hitch Assembly
12	2	120-15	Rivet 1/8x7/16	50	1		Vehicle ID Plate, Alum.
13	1	601-69	Spring Plate	51	1	126-65	Plate, Shifting
14	1	126-11	Spring	52	1	127-97	Plate, Caution - Keyswitch
15	2	103-72	Screw, IHWH T/C Slot 1/4-20x3/4	53	1	126-67	Plate, Floor Pan
16	1	602-29	Brace, Dash	54	1	126-68	Plate, Operation
17	1	601-08	Trim, Vinyl - 84"	55	1	126-69	Plate, Fuel
18	2	601-09	Trim, Vinyl - 28"	56	1	127-76	Plate, Cap. Land/Water
19	4	112-04	HHCS 1/4-20x3/4 Gr2 Zc	58	1		U.S. Plate, Non-U.S. Argos only
20	16	108-25	Washer .31x.75x.06 Zc	61	1	125-41	Handle, Dash (incl. 62)
21	4	108-03	Lockwasher 1/4	62	2		Plug Cap, (avail. only with 61)
22	4	801-41	Washer, Seat	63	3	117-10	Locknut, Nylon #10-24 Zc
23	4	126-79	Bumper, Plastic - Black	65	3	103-25	PHMS #10-24x3/4 Zinc
25	8	103-48	T/S Pan HD PHIL #10x5/8	66	1	125-84	Grommet, Rubber
26	26	120-24	Rivet, 3/32x3/8 Alum.(all plates)	67	2	127-01	Reflector, Red
27	4	117-44	T-Nut 1/4-20 Zinc	69	1	807-73	Screen, Intake - Conquest
28	2	127-27	Nameplate - Conquest	70	1	807-74	Screen, Exhaust - Conquest
28b	1	601-44	Nameplate - Argo	72	28	120-11	Rivet 5/32 x 9/16 - Black
29	1	801-03	Seat, Rear LH - 8x8	73	1	117-15	Nut, Fin Hex 3/8-16 Zinc
30	1	801-02	Seat, Rear RH - 8x8	74	1	602-27	Support, Adjustable
31	1	609-33	Firewall - Hydraulic Brakes	75	1	103-89	C/Bolt 3/8-16x3/4 Gr2 Zinc
32	1	803-02	Floor Pan - Front - (spec. colour)	76	1	108-06	Lockwasher 3/8
33	1	803-03	Floor Pan - Rear - (spec. colour)	78	1	616-19	Tube, Hitch
36	57	120-04	Washer .19x.50x.08 Zinc	79	1	104-13	Pin, Top Link
				80	1	104-11	Pin, Lynch
				81	2	127-45A	Pin, Hinge
				82	2	127-45B	Knuckle, Hinge
				83	8	103-47	HHCS 10-24x1/2
				84	8	108-59	Lockwasher #10 Int. Tooth Zinc



Ref.	Qty.	Part #	Description
1	1	806-00	Frame Asm - 8x8
2	2	606-24	Gasket - Bearing Extension
3	80	117-29	Locknut, Nylon 3/8-16 Zinc
4	16	108-46	Washer .40x1.37x.12 Hi-Carbon
5	12	101-35	Bearing, Ball - 1.25
5a	8	101-41	Bearing, Ball - 1.0
6	82	108-15	Washer, .42x.81x.05 Zinc
7	30	103-88	C/Bolt 3/8-16x1.0 Gr5 Zc
8	12	605-99	Gasket, Flange - Inner
9	16	605-89	Gasket, Flange - Outer
10a	20	605-63	Flange - 4 hole
10b	12	101-20	Flange, Greasable - 4 hole
11	8	102-14	Seal, Oil 1.25x1.75x0.188
12	8	102-15	Seal, Oil 1.25x1.874x0.25
13	8	605-97	Flange Asm, Outer (incl. Refs. 11 & 12)
14	16	112-39	C/Bolt 3/8-16x1.75 Gr5 Zc
15	16	112-134	C/Bolt 3/8-16 x 6 Gr2 Zc
16	4	810-52	Bearing Extension (uses Refs. 17 & 18)
17	24	108-34	Washer 7/16 SAE Zinc
18	24	103-81	HHCS 7/16-20x2.5 Gr5 Zc
19	5x8	103-80	Stud, Wheel 7/16-20x1.125 #B271
20	4	810-73	Axle Asm - Front/Rear (incl. Ref. 19)
21	4	810-75	Axle Asm - Mid (incl. Ref. 19)
22	2	810-32	Shaft, Idler - 11T
23	1	604-84	Frame Asm, Battery
24	6	810-28	Sprocket, Double - 24T
25	8	606-34	Sprocket, S60x19T
26	10	112-03	SHSS 5/16-18x3/8 1/2 DOG, PL
27	2	803-17	Chain, Idler RC50-2x40P (incl. Ref. 53)
28	4	117-64	Insert, 1/4-20
29	12	112-31	HHCS 3/8-16x1.0 2B Gr8 Zc
30	2	112-14	HHCS 3/8-16x.75 Gr5 Zc
31	1	108-15	Washer 3/8 SAE Zc
32	2	103-82	HHCS 3/8-16x1.5 Gr5 Zc
33	4	112-61	C/Bolt 3/8-16 x 1.25 Gr5 Zc
34	2	120-15	Rivet 1/8x7/16
35	1	126-11	Spring
36		127-80	Link, Half - RC60 - 1 (opt.)
43	2	603-17	Chain, RC50-2 x 42P-Front (incl. Ref. 53)
44	2	603-20	Chain, RC50-2 x 70P-Mid (incl. Ref. 53)
45	4	603-93	Chain, RC60-1 x 84P-Rear (incl. Ref. 54)
46	5x8	117-35	Nut, Wheel 7/16-20 Zc
47	8	125-26	Valve, Tire
48	8	125-13C	Rim - Charcoal
49	8	126-96	Tire, Goodyear Runamuk 22x10-8
52	6	100-01	Pin, Cotter 1/8x1.50 Zc
53	1x6	100-96	Con. Link, RC50-2 H.D.
54	1x4	603-84	Con. Link, RC60-1 H.D.
55	6	127-65	Spring Torsion - 1.16x0.35
56	6	606-39	Slider Block - 1/2" Shaft
57	6	606-35	Tensioner Asm, Chain
58	6	127-64	Spring, Torsion - .76x1.9
59	2	606-41	Slide, Chain - 2"
60	4	606-42	Slide, Chain - 1.25"
61		603-95	Spring Clip - RC 50 Closed
62		603-96	Spring Clip - RC 60 Closed
63	2	107-10	Retaining Ring, Sh-0125-PA

8.0 Fuel System & Seat Assembly Conquest Parts Manual

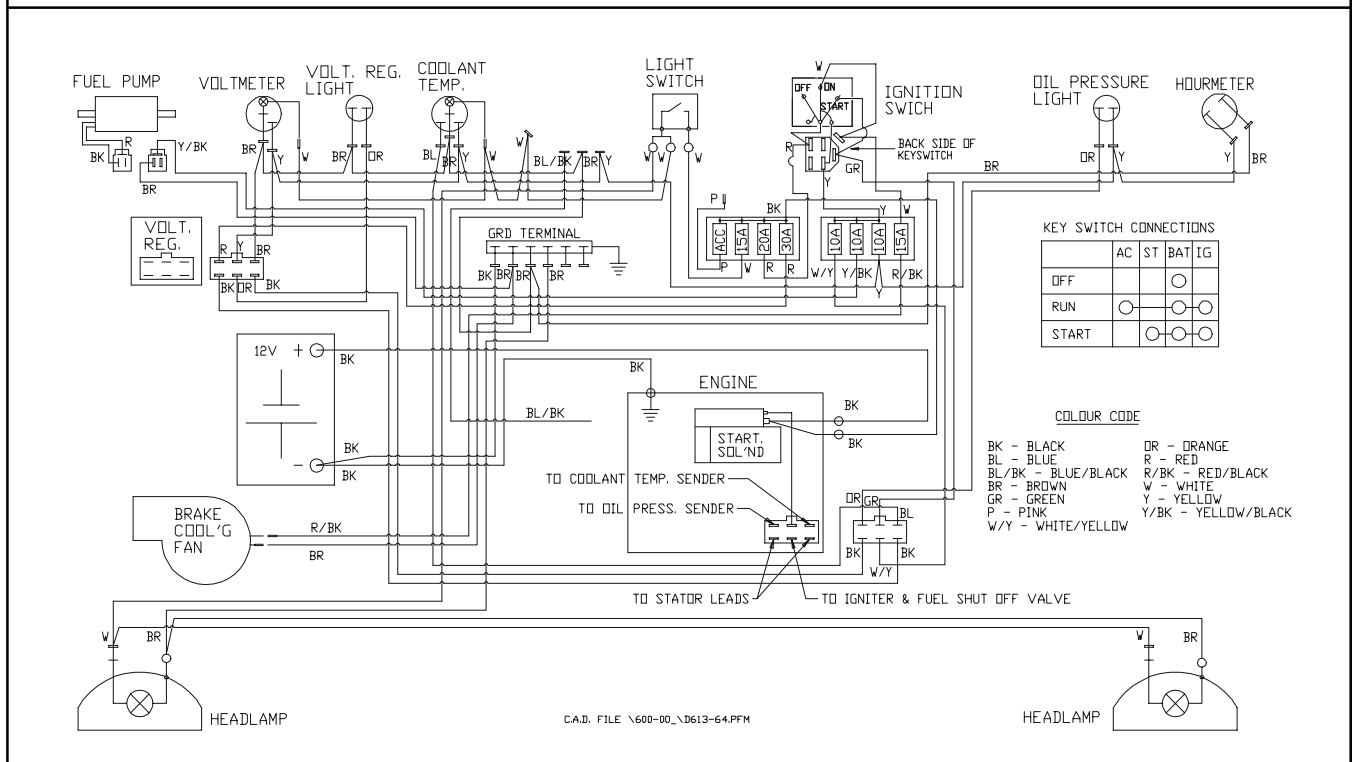
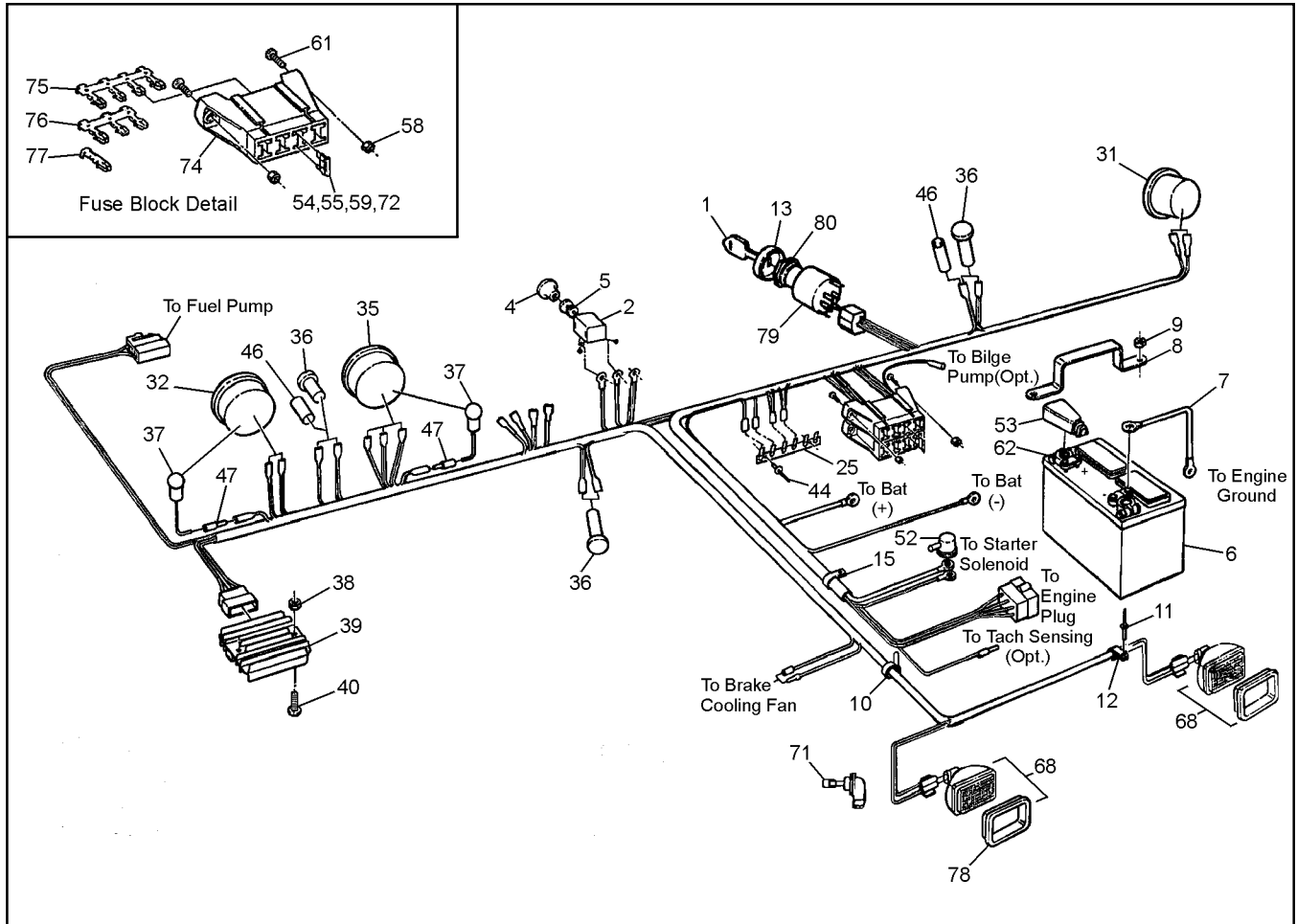


Conquest Parts Manual 8.0 Fuel System & Seat Assembly

Ref.	Qty.	Part #	Description
1	1	803-50	Handrail Assembly
2	4	108-03	Lockwasher 1/4
3	6	112-41	PHMS, PHIL 1/4-20x1.25 Zinc
4	1	608-39	Back Pad Asm
5	1	608-43	Seat, Bench
6	1	608-30	Angle, Left
7	1	608-31	Angle, Right
9	6	112-04	HHCS 1/4-20x3/4 Gr2 Zc
10	6	108-03	Lockwasher 1/4
13	1	804-17	Frame Asm, Seat
15	2	112-78	Clamp, Hose, 9/16" - Black
16	2	120-04	Washer .19x.50x.08 Zinc
17	1	608-32	Tool Box
18	1	608-28	Pickup Assembly, Fuel (See Ref. 19)
19	1	608-24	Tank, Fuel - 32 litre (incl. Ref. 18)
20	4	112-79	Clamp, Hose, 1/2" - Black
21	1	608-42	Fuel Hose - 110"
22	1	125-64	Fuel Filter
23	2	100-12	Clamp, Gear 2.25" HF-36
24	1	125-94	Hose, Filler
25	1	126-47	Neck Asm, Fuel
26	1	126-46	Cap, Fuel
27	1	127-21	Hose, Vent - 86"
28	1	126-50	Male Connector, 1/4"
29	5	126-94	Clamp, Nylon Wire - 1/4"ID
30	6	112-04	HHCS 1/4-20x3/4 Gr2 Zc
31	12	117-10	Locknut, Nylon #10-24 Zc
33	3	126-93	Clamp, Nylon Wire - 1/2"ID
34	4	108-08	Washer .28x.62x.04 Zinc
35	8	120-09	Rivet 3/16x1 - Black
37	4	702-06	Foam Cushion
38	1	117-54	Nut, Locking PAL 1/2-20 Zc
39	12	112-07	RHMS 10-24x1.25 Zc
40	12	108-42	Washer .21x1.0x.06 Zinc
41	1	49040-2065	Pump, Fuel
43	2	117-27	Locknut, Nylon 1/4-20 Zc

9.0 Electrical System

Conquest Parts Manual



Ref.	Qty.	Part #	Description
1	2	127-108	Key, Molded
2	1	100-62	Switch, Light
3	1	613-64	Wire Harness - Conquest (incl. Fuse Holders)
4	1	126-76	Knob, Light
5	1	108-55	Lockwasher 7/16 External Tooth
6	1	127-54	Battery, Exide 45-50
7	1	613-14	Wire, Ground - 14"
8	1	604-52	Bracket, Battery Retaining
9	2	117-21	Locknut, Nylon 5/16-18 Zc
10	8	100-64	Tie Wrap, 5.5" - Black
11	6	120-13	Rivet 3/16x5/8 - Black
11a	10	120-09	Rivet 3/16x1 - Black
12	16	126-93	Clamp, Nylon Wire-1/2" ID
13	1	127-107	Cover, Nut
15	5	127-24	Clamp, Nylon - 1" ID
25	1	613-37	Terminal Strip, Ground
31	1	632-15	Hourmeter
32	1	633-10	Voltmeter
35	1	634-22	Gauge, Water Temperature
36	3	634-08	Light, Indicator
37	2	634-10	Light Kit, #06215-00
38	2	117-27	Locknut, Nylon 1/4-20 Zc
39	1	21066-2070	Regulator, Voltage
40	2	103-63	PHMS, PHIL 1/4-20x1.0 Zc
44	2	120-15	Rivet 1/8x7/16
46	2	118-48	Heat Shrink, 2 x 1/2
47	2	118-02	Terminal, Male #76-1251
52	1	613-46	Terminal Insulator (2 ga.)
53	1	127-55	Cap, Battery Terminal
54	1	118-53	Fuse, 20A 2 prong (AT020)
55	2	118-49	Fuse, 15A 2 prong (AT015)
58	4	117-10	Locknut, Nylon #10-24 Zc
59	3	118-52	Fuse, 10A 2 prong (AT010)
61	4	103-25	PHMS #10-24x3/4 Zc
62	2	127-56	Terminal, Battery Post
68	2	613-62	Headlamp Asm (incl. Refs. 71 & 78)
71	2	127-46	Bulb, Headlight - Halogen
72	1	118-51	Fuse, 30A 2 prong (AT030)
74	2	118-60	Block - Fuse, 8 position (4 fuse)
75	1	118-61	Terminal - Fuse, quad
76	1	118-63	Terminal - Fuse, triple
77	9	118-62	Terminal - Fuse, single
78	2	613-62RB	Bezel, Rubber Headlamp
79	1	127-105	Switch, Ignition
80	1	127-106	Nut, flanged, plastic

***ARGO* Products Manufactured by:**

Ontario Drive & Gear Limited

P.O. Box 280, 220 Bergey Court
New Hamburg, Ontario
Canada N0B 2G0
Phone: (519) 662-2840
Fax: (519) 662-2421

ODG *Dedicated to quality and performance*