

Argo ***Avenger***



Argo 8x8

2018 PARTS MANUAL

Avenger 8x8 5

30 HP Engine w/Classic Transmission

Foreword

ODG has prepared this parts manual for the AVENGER model to assist both qualified mechanics and vehicle owners in ordering correct, quality replacement ARGO parts. For the most current parts manual visit our website at www.argoxtv.com.

Proper and regular service, and replacing old, worn or broken parts with the correct ARGO replacement parts, are both essential to prolonging the life of the ARGO. Please refer to this parts manual and/or our website www.argoxtv.com before ordering any replacement part.

All information contained in this AVENGER Parts Manual is based on the latest product specification available at time of printing. If your AVENGER differs from the specifications contained in this manual, check our website www.argoxtv.com for the most current information.

ODG reserves the right to alter specifications on the AVENGER model at any time, without obligation or prior notification.

Reproduction of this AVENGER Parts Manual, in whole or in part, is prohibited without prior written permission from Ontario Drive & Gear Limited.

Vehicle Identification

AVENGER - Serial Nos. ... last 5 digits of V.I.N.

Explanation of Parts Manual Format

- Ref** - Reference number between assembly diagram and component parts list
- Part No.** - Argo replacement part number for identification and re-ordering
- Description** - Part description for identification and re-ordering
- Qty** - Indicates the quantity of a part used in an assembly

Argo Avenger



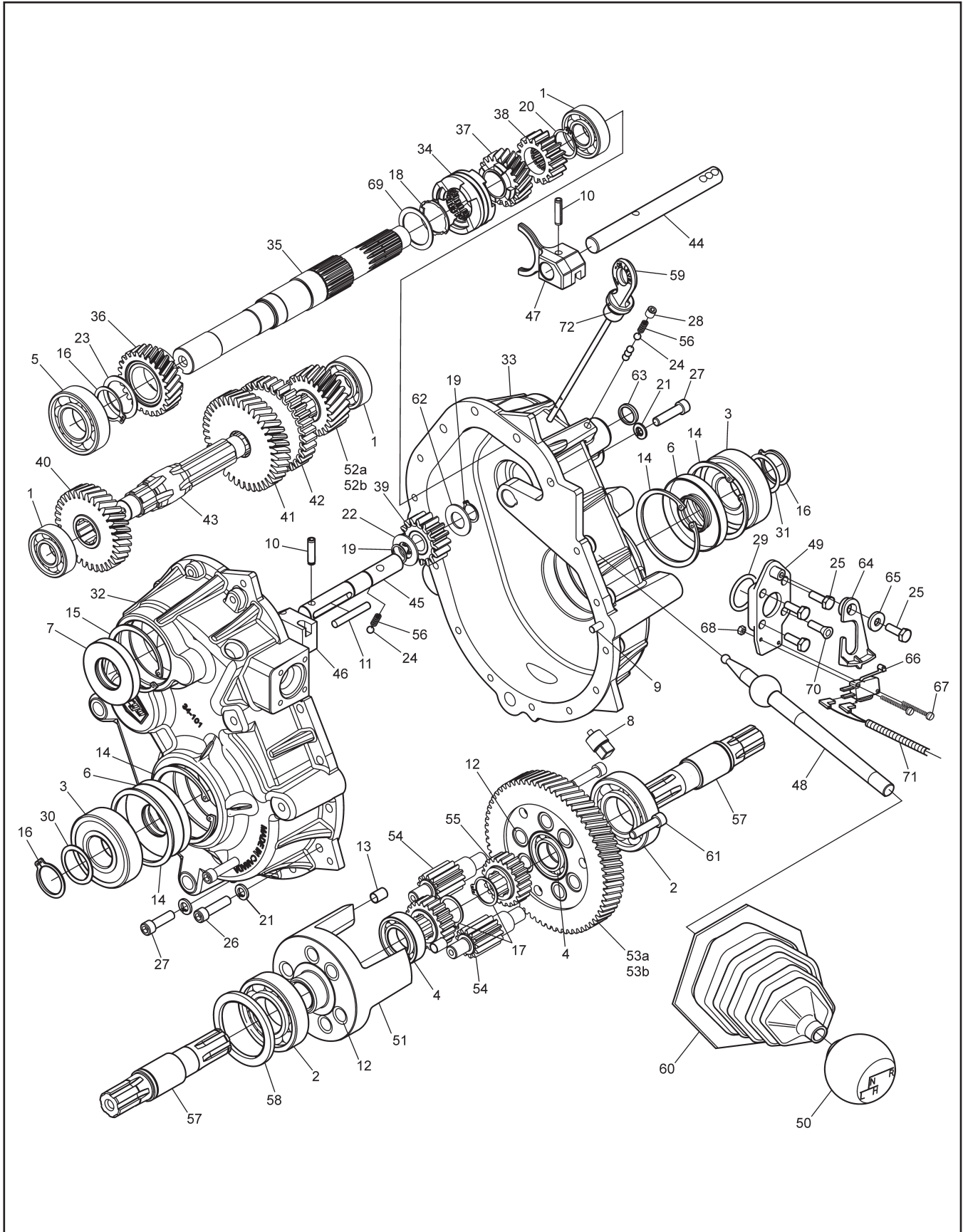
Using the Parts Manual

1. Find the major vehicle assembly in the Table of Contents on this page, and turn to that section.
2. Locate the part in the illustration that you wish to order.
3. Refer to the parts list in that section.
4. Find the correct part number (Part No.), part description (Description) and correct quantity (Qty).
5. Use *only* this information to order ARGO replacement parts. **DO NOT** attempt to order a replacement part by reference number or page number.

Table of Contents

Foreword	i
Vehicle Identification.....	i
Using the Parts Manual	ii
1.0 Transmission	2
2.0 Intake and Exhaust System.....	4
3.0 Clutch System	6
4.0 Power Pack Assembly	8
5.0 Steering & Brake System	10
6.0 Parking Brake	12
7.0 Vehicle Body & Firewall.....	14
8.0 Frame & Drive System	16
9.0 Fuel System & Seat Assembly	18
10.0 Electrical System	20
11.0 Bead Lock Wheel Option.....	22
Accessories:	
638-40 Bilge Pump.....	23
848-173 Entry Step.....	24

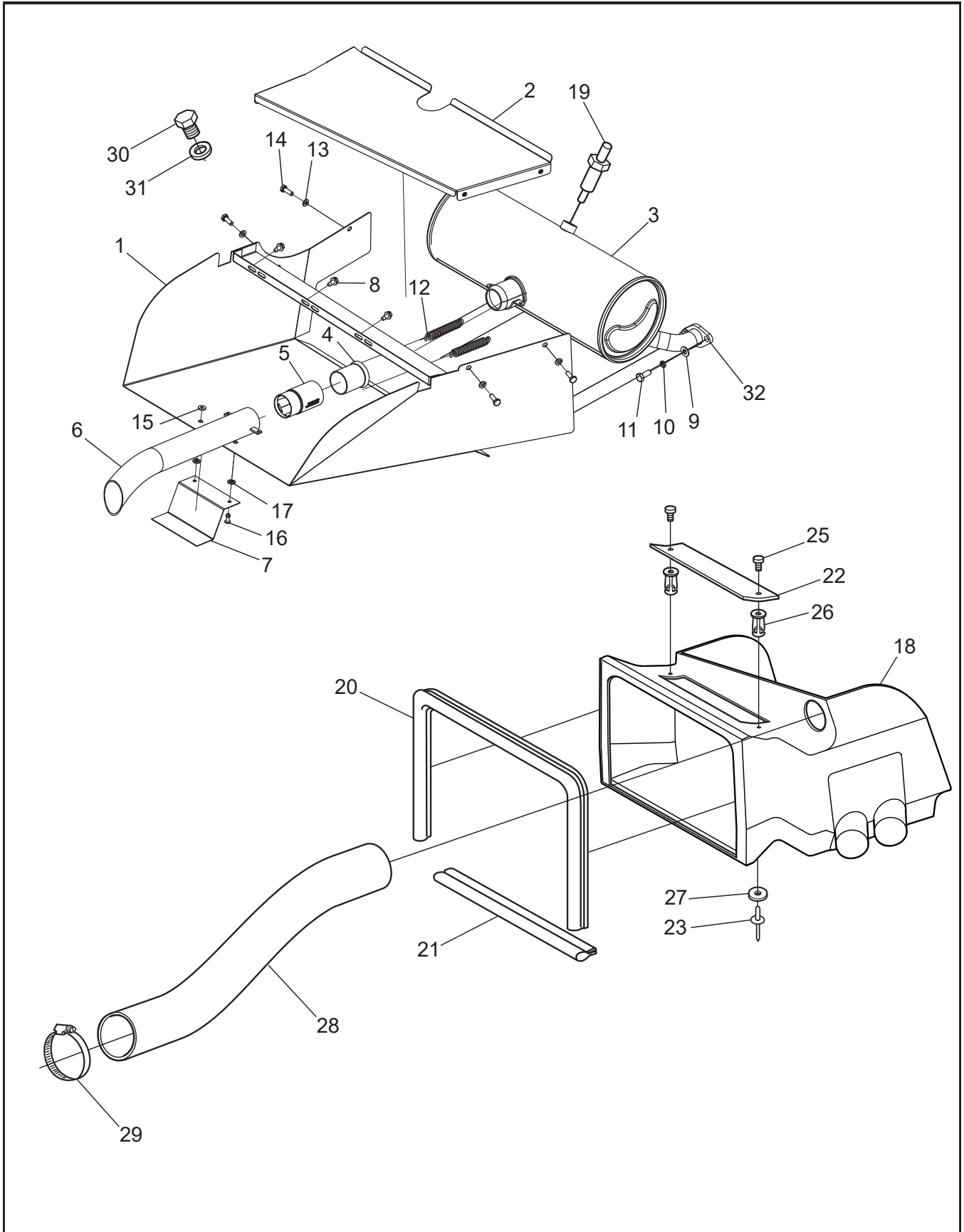
This page intentionally left blank



Avenger Parts Manual

1.0 Transmission

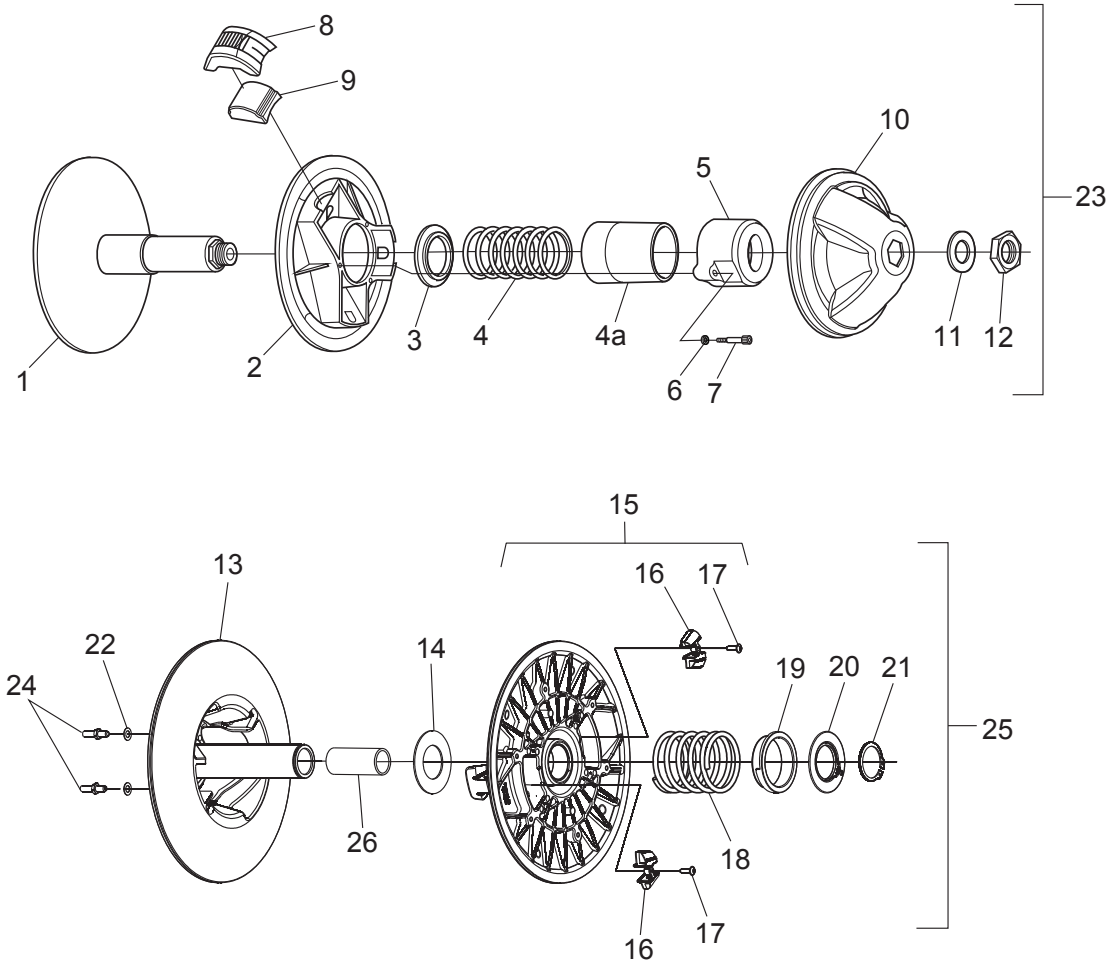
Ref.	Qty.	Part #	Description	Ref.	Qty.	Part #	Description
	1	34-100	Transmission Assembly	40	1	34-109	Gear, Helical - HI 12DP 33T
	1	34-100-3.3	Transmission Assembly	41	1	34-110	Gear, Helical - LOW 12DP 39T
1	3	101-01	Bearing, Ball 6204Z-C3	42	1	34-111	Gear, Reverse - 10DP 33T
2	2	101-03	Bearing, Ball 6207-C3	43	1	34-112	Shaft, Spline
3	2	101-05	Bearing, Ball 6306LLU-C3/2A	44	1	34-113	Shaft, Shift - Forward
4	2	101-15	Bearing, Ball 6005-C3	45	1	34-114	Shaft, Shift - Reverse
5	1	101-16	Bearing, Ball 6206-C3	46	1	34-115	Block, Shift
6	2	102-03	Seal,Oil WBS 30x72x10 NB D/LIP	47	1	34-116	Fork, Shift
7	1	102-05	Seal,Oil WBS 30x62x10 NB D/LIP	48	1	34-117	Lever, Shift
8	1	103-02	Plug, Magnetic 3/8-18NPT SQ.HD	49	1	34-131	Plate, Shifter
9	2	104-03	Pin, Dowel 1/4x7/8	50	1	34-121	Knob, Shift - w/Argo Logo
10	2	104-39	Pin, Spring - 1/4 x 1.0	51	1	34-122	Cage, Differential
11	1	104-40	Pin, Dowel - 1/4 x 1.75	52a	1	34-123	Pinion, Helical - 25T - 2.6
12	12	105-03	Bushing, Oilite - 1/2x3/4	52b	1	34-125	Pinion, Helical - 21T - 3.3
13	3	105-23	Bushing, Dowel - .312 x .5	53a	1	34-124	Gear Plate - 66T - 2.6
14	4	106-03	Retaining Ring HO-281PA	53b	1	34-126	Gear Plate - 70T - 3.3
15	1	106-05	Retaining Ring HO-244-PA	54	6	34-13	Gear, Planet - 12T
16	3	107-02	Retaining Ring SH-0118-PA	55	2	34-14	Gear, Sun - 21T
17	2	107-04	Retaining Ring SH-0098-PA	56	2	34-32	Spring, Comp. 0.22x.50
18	1	107-14	Retaining Ring LC-125-PA	57	2	34-98	Shaft, Output - Splined
19	2	107-11	Retaining Ring	58	1	114-01	Washer, Shim 2.25 x 2.81 x .02
20	1	107-15	Retaining Ring SHR-098-PA	59	1	CE-035	Dipstick - with Breather - 190mm
21	15	108-05	Lockwasher 5/16 Split Ring Zn	60	1	609-38	Boot, Shifter
22	1	108-78	Washer, Thrust	61	3	112-64	SHCS, 5/16-18 x 1.25
23	1	108-79	Washer, Thrust	62	1	108-88	Washer, Retaining Thrust
24	5	109-05	Ball, Steel 6mm 62-67 Rc	63	1	113-16	O-Ring #AS568-014-70BN 5/8"OD x 1/2"ID x 1/16" Thk
25	4	112-04	HHCS 1/4-20x3/4 Gr2 Zn	64	1	34-132	Follower, Neutral Start
26	14	112-143	SHCS 5/16 x 1.25 Zn	65	1	108-08	Washer, .28 x .62 x .07 Zn
27	1	112-144	SHCS 5/16 x 1.0 Zn	66	1	809-202	Switch, Limit - Two Pole
28	1	112-145	SHSS 5/16 - 18 X 3/8	67	2	112-172/PI	SHMS, #5-40x3/4 Zn
29	1	113-11	O-Ring #AS568-216-70BN	68	2	112-173/PI	Locknut, #5-40 Zn
30	1	114-04	Washer, Shim 1.19x1.50x.04	69	1	108-85	Washer, Retaining Thrust
31	1	114-05	Washer, Shim 1.19x1.50x.02	70	1	112-171	FHSC 1/4-20 x 3/4 Gr2 Zn
32	1	34-101	Housing, Transmission - L	71	1	613-112	Wire Harness, Neutral Start
33	1	34-102	Housing, Transmission - R	72	1	161-28	O-Ring, 3mm CS x 12mm ID
34	1	34-127	Clutch, Dog				
35	1	34-130	Shaft, Input - 19/15T Spline				
36	1	34-128	Pinion, Helical - HI 12DP 26T				
37	1	34-129	Pinion, Helical - LO 12DP 20T				
38	1	34-107	Pinion, Reverse - 10DP 16T				
39	1	34-108	Gear, Idler - Rev - 10DP 16T				



Ref.	Qty.	Part #	Description
1	1	607-167	Duct, Exhaust Avenger
2	1	607-190	Shield, Duct, Exhaust Upper
3	1	607-212	Muffler, Kohler Aegis - Ees
4	1	607-135	Tube, Muffler, Flared x 2.0
5	1	607-171	Spark Arrestor - ODG
6	1	607-134	Pipe, Tail Asy Lg
7	1	607-170	Support, Exhaust Duct - Avg
8	3	112-19	Screw, IHWH T/C Slot 1/4-20 x 1/2
9	4	108-24	Washer .34 x .70 x .06 Zn
10	4	108-02	Lockwasher 5/16 Hi-Collar Bare
11	4	112-111	HHCS M8 x 1,25 x 20 (8.8) Zn
12	2	127-187	Spring, Ext 17/32 x 3.75
13	4	108-03	Lockwasher 1/4 Split Ring Zn
14	4	112-04	HHCS 1/4-20 x 3/4 Gr5 Zn
15	2	120-04	Washer .19 x .50 x .08 Zn
16	2	120-13	Rivet - 3/16 x 3/4 Black
17	2	125-58	Fibre Washer
18	1	809-03	Duct Intake
19			See Section 4.0 Power Pack Assembly
20	2	809-166-35	Seal, 35" Long
21	2	809-06	Seal, Radiator - 15.25" Lg.
22	1	601-111	Cover Plate, Intake Duct
23	13	120-09	Rivet, 3/16 x 1.0 Black
25	2	117-89	Thumb Screw, 1/4-20 x 1, Nylon
26	2	117-53	Nut, Jack 1/4-20 8L-JNS
27	12	120-04	Washer, .19 x .50 x .08
28	1	848-194	Hose, Intake Flex 2" Dia. x 24"
29	1	100-128	Clamp, Gear 2.25"
30	1	607-211	Plug, Threaded - 02 Sensor
31	1	114-34	Washer, Copper - 02 Plug
32	1	24 041 49	Gasket, Exhaust Manifold

3.0 Clutch System

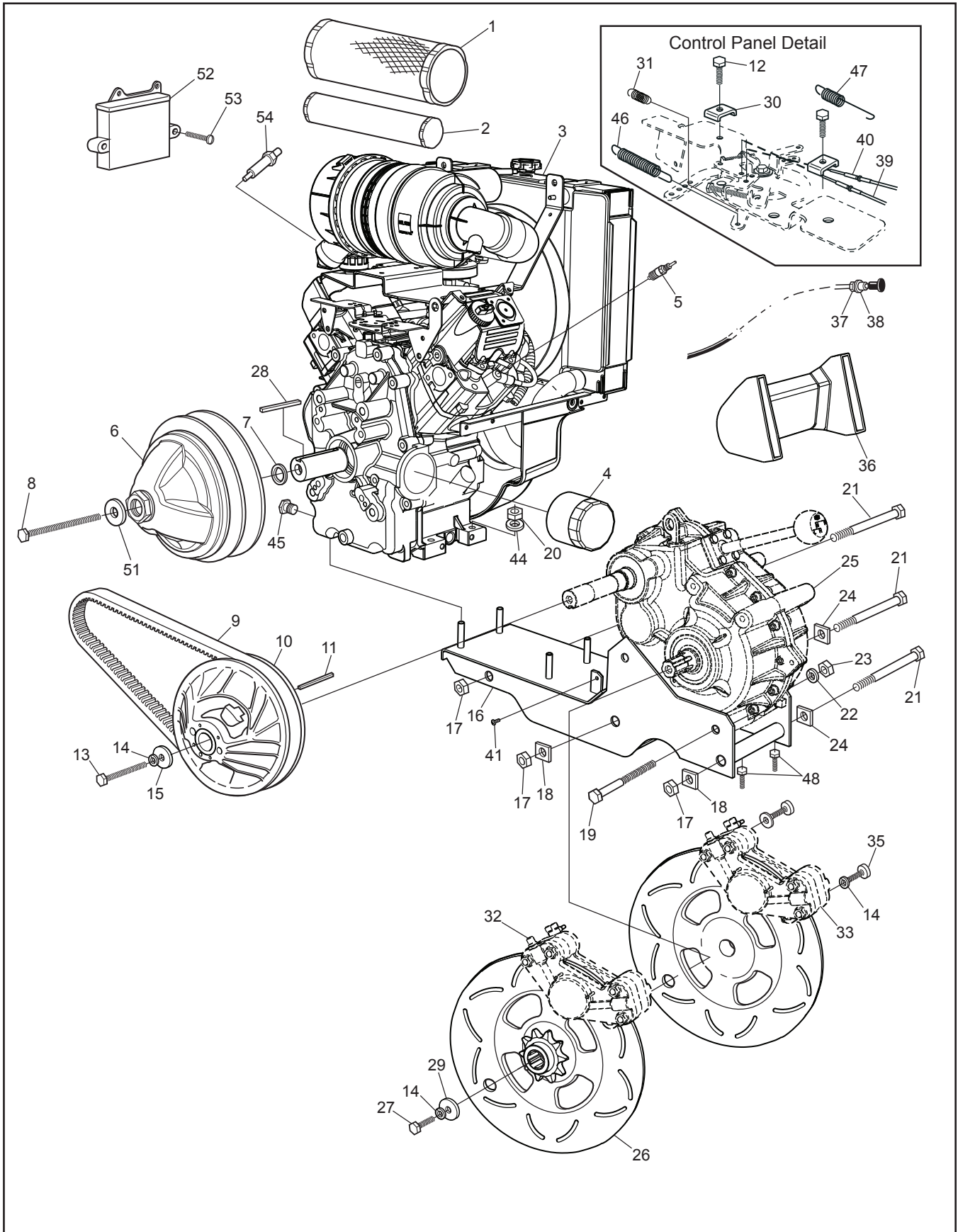
Avenger Parts Manual



Ref.	Qty.	Part #	Description
1	1	0405-0138	Flange, Fixed
2	1	0410-0033	Flange, Sliding
3	1	0150-1014	Spring Guide Washer
4	1	1151-1114	Spring
4a	1	0450-3002	Guide, Spring
5	1	0440-0005	Spring Cover
6	3	0080-0167	Lockwasher
7	3	0080-0021	Screw, Cap
8	3	0130-3012	Block
9	3	0135-3061	Weight (230gr) - EFI Model
	1	127-208	Weight Set (3), 185g - High Elevation
	1	127-209	Weight Set (3), 220g - High Elevation
	1	127-210	Weight Set (3), 240g - High Elevation
10	1	0115-2061	Cap
11	1	0080-0804	Washer, Zn
12	1	V16J1	Nut
13	1	5905-0003	Flange, Fixed
14	1	0080-0164	Washer, Shim
15	1	5910-0002	Flange, Sliding
16	3	5930-3001	Cam Shoe
17	2	0080-0031	Screw
18	1	5951-1009	Spring
19	1	5950-3003	Spring Protector
20	1	5950-3002	Spring Support
21	1	0080-0216	Retaining Ring, Outside
22	2	0080-0167	Lockwasher
23	1	610-128	Clutch, Driver - EFI Models
24	2	0080-0035	Screw & Nut Ass'y
25	1	127-156	Clutch, Driven - INVANCE
26	1	5940-2001	Keyway Stopper

4.0 Power Pack Assembly

Avenger Parts Manual



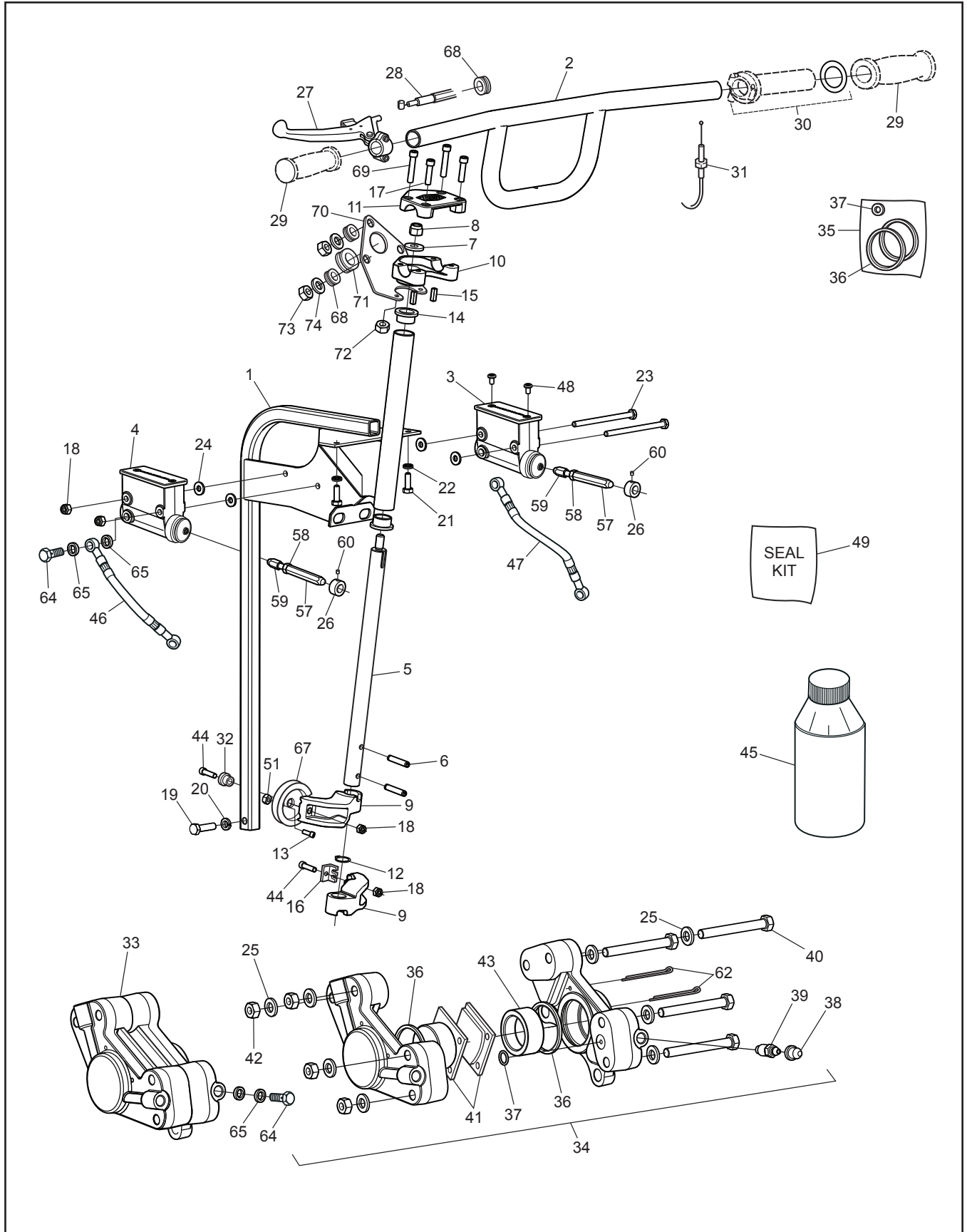
Avenger Parts Manual

4.0 Power Pack Assembly

Ref.	Qty.	Part #	Description	Ref.	Qty.	Part #	Description
1	1	25 083 01	Filter, Air	33			See Section 5.0 Steering & Brake System
2	1	25 083 04	Element, Inner	35	4	103-41	SHCS 3/8-16 x 1.25 Zn
3	1	ELH775-3011	Kohler 30 HP Engine, EFI	36			See Section 2.0 Intake & Exhaust
4	1	12 050 01	Filter, Oil	37	1	117-68	Nut, Jam 3/8-24 UNF Zn
5		127-193	Sparkplug, RC14YC	38	1	108-32	Lockwasher 3/8 Int. Tooth
6			See Section 3.0 Clutch System	39	1	612-92	Cable Ass'y, Choke
7	1	108-84	Washer, Engine Clutch	40	1	612-101	Cable Asm., Throttle
8	1	112-160	HHCS, 7/16-20 x 5.0" Lg	41	2	103-71	Screw, IHWH T/C 1/4-20 x 1.25 Zn
9	1	127-137	Drive Belt - 10.5" Cen. Dist	44	4	108-15	Washer, .42 x .81 x .05 Zn
	1	127-137HD	Drive Belt - Avg/HDi Heavy Duty (Opt.)	45		112-156	Plug, Oil Drain 3/8-18 NPT Hex
10			See Section 3.0 Clutch System	46	1	24 089 46	Spring, Govenor (Kohler #)
11	1	110-03	Key 1/4 x 3/16 x 2.375 RC46	47	1	127-49	Spring, Extension
12	1	M-545016	Screw, Clamp Cable (Kohler #)	48	2	103-53	HHCS 3/8-16 x 3.0 Full Thread
13	1	112-164	HHCS 3/8-16 x 3.5 Gr5 Zn	51	1	108-58	Washer, .47 x 1.37 x 12 Hi-Carbon
14	7	108-06	Lockwasher 3/8 Split Ring Zn	52	1	66 584 05	ECU (c/w engine)
15	1	108-46	Washer .40 x 1.37 x 1.2 Hi-Carbon	53	2	112-161	PHMS, 10-24 x 2.5
16	1	806-35	Frame Ass'y - Power Pack	54	1	25 418 07	02 Sensor
17	3	117-83	Locknut, Stover 5/8-11 Zn				
18	2	811-09	Washer, Square - .64 ID				
19	2	103-20	HHCS 1/2-13 x 6.5 Gr5 Zn				
20	4	117-29	Locknut, Nylon 3/8-16 Zn				
21	3	112-58	HHCS 5/8-11 x 7.5 Gr5 Zn				
22	2	108-107	Lockwasher 1/2" High Alloy				
23	2	117-06	Nut, Fin Hex 1/2-13 Zn				
24	2	811-15	Washer, Square Lock .64 ID				
25			See Section 1.0 Transmission				
26	2	606-74	Disc, Brake-Splined #60-10T				
27	2	103-18	HHCS 3/8-24 x 1.25 Gr5 Zn				
28	1	110-18	Key 1/4 x 1/4 x 1.75				
29	2	108-18	Washer .40 x 1.37 x .12 Zn				
30	1	12 237 01	Clamp, Cable (Kohler #)				
31	1	24 089 51	Spring, Throttle (Kohler #)				
32			See Section 5.0 Steering & Brake System				

5.0 Steering & Brake System

Avenger Parts Manual



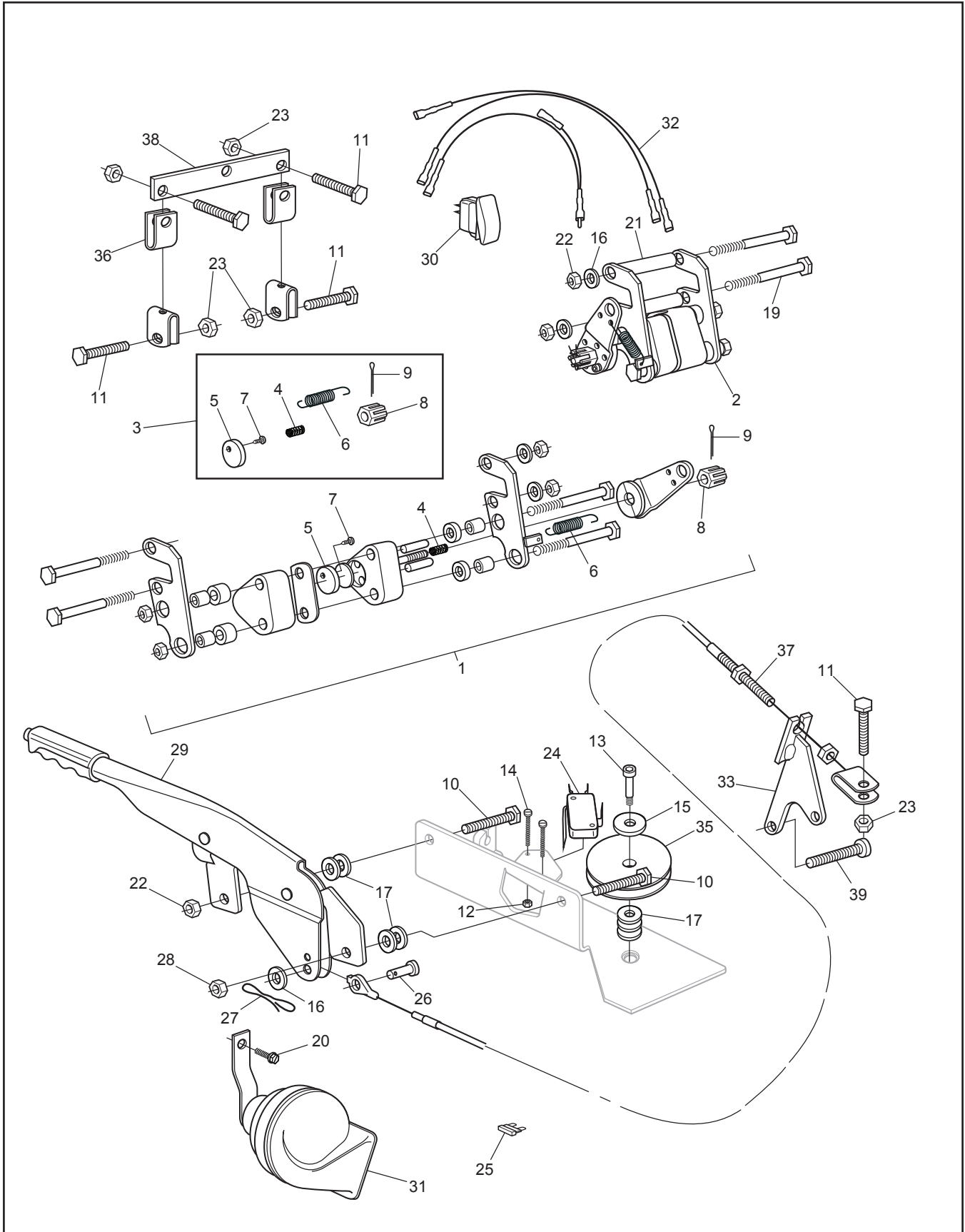
Avenger Parts Manual

5.0 Steering & Brake System

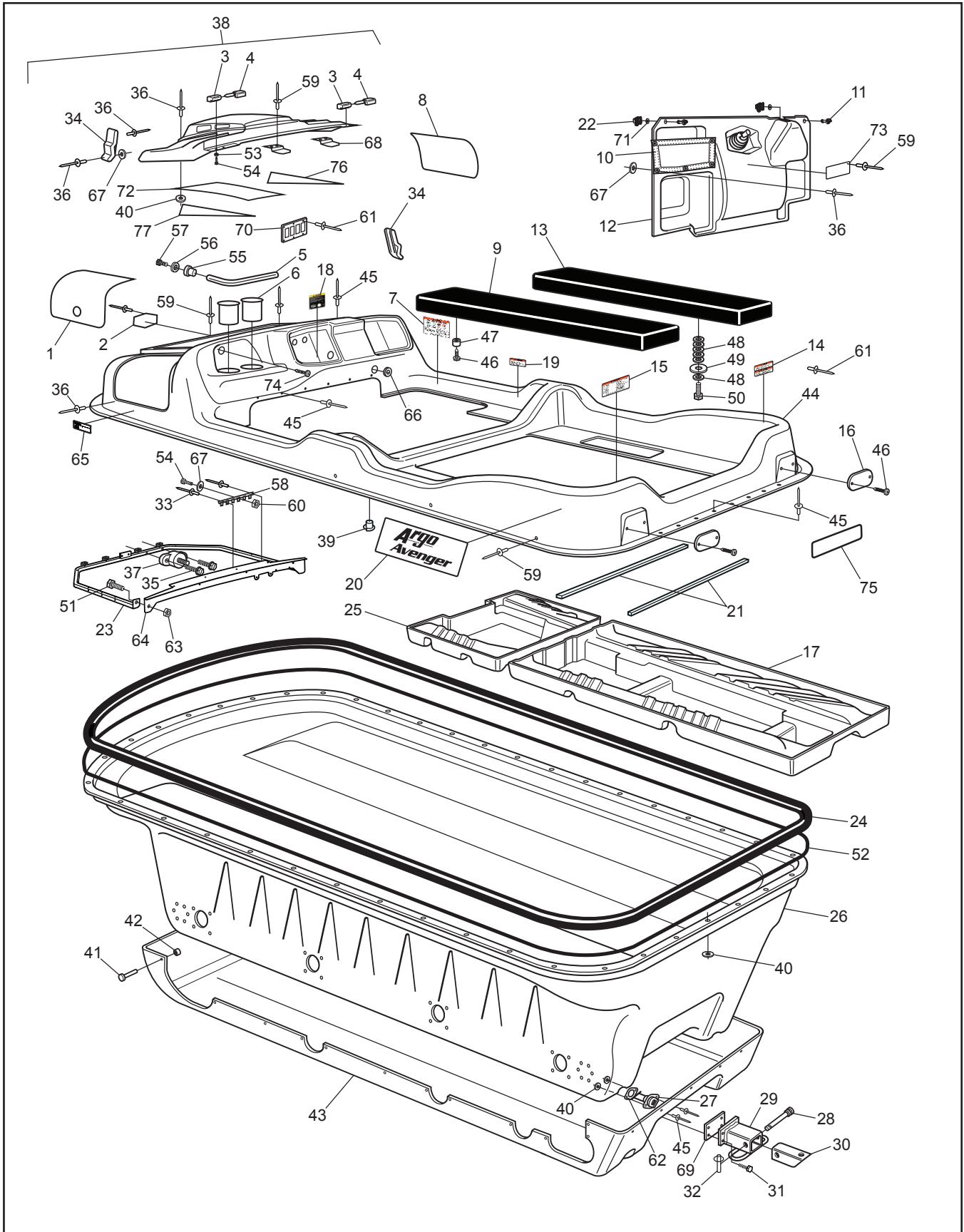
Ref.	Qty.	Part #	Description	Ref.	Qty.	Part #	Description
1	1	612-123	Frame Assembly, Steering Column	44	2	112-159	BHCS, 1/4-20 x 1.0, Plated
2	1	612-107	Handlebar Assembly	45		126-19	Fluid, Brake-Silicon
3	1	165-58	Master Cylinder, RH Wilwood				Dot 5 - .35L
4	1	165-57	Master Cylinder, LH Wilwood	46	1	163-06	Hose Asm, Hydraulic - Right - SS
5	1	612-128	Shaft, Steering - Avenger	47	1	163-05	Hose Asm, Hydraulic - Left
6	2	104-42	Pin, Spring 1/4 x 1.5"	48	2x2	160-42	Screw, FHMS
7	1	108-47	Washer, .39 x .94 x .13 Zn Di-chr				M5 x 0,8 x 6mm
8	1	117-29	Locknut, Nylon 3/8-16 Zn	49	1	165-37	Piston Seal Kit - Wilwood
9	2	612-124	Arm, Steering	51	1	117-10	Locknut, 10-24 N/I Zn
10	1	612-106	Clamp, Lower Handlebar	57	2	812-30	Pin, Female
11	1	612-105	Clamp, Upper Handlebar	58	2	117-03	Nut, Fin Hex 5/16-18 Zn
12	1	106-07	Ring, Retaining SH-0075PA	59	2	812-31	Pin, Male
13	1	160-46	SHCS, #10-24 x 3/8"	60	2	112-02	SHSS 10-24x1/4 Knurl Cup PT, PL
14	2	105-16	Bushing, Oilite - 3/4 x 1/2	62	2x2	168-07	Pin, Cotter 1/8 x 3.00 Zn
15	2	110-17	Key, 3/16 x 3/16 x .625	64	4	160-44	Bolt, Banjo - M10 x 1,0 x 21,0
16	1	128-24	Retainer, Handbrake Cable	65	13	160-01	Washer, Copper - 1,5 x 10,0 x 14,0
17	2	112-47	SHCS, 1/4-20 x 1.0 Zn	67	1	165-18	Pulley, Handbrake Cable
18	4	117-27	Locknut, Nylon 1/4-20 Zn	68	4	125-84	Grommet, Rubber
19	1	103-38	HHCS 5/16-18x1.25 Gr5 Zn	69	2	103-69	SHCS 1/4-20 x 1.5 Zn
20	1	108-05	Lockwasher, 5/16 Split-Ring Zn	70	1	612-132	Bracket, LCD Gauge - Painted
21	2	112-04	HHCS 1/4-20 x 3/4 Gr2 Zn	71	1	128-27	Grommet 1-1/4ID x 1-1/2x3/32
22	2	108-03	Lockwasher 1/4 Split Ring Zn	72	2	117-86	Nut, Acorn, 1/4-20 Zn
23	2	103-66	HHCS, 1/4-20 x 4.0 Gr5 Zn	73	3	117-85	Nut, Acorn, M5 Zn
24	4	108-08	Washer, .28 x .62 x .04 Zn	74	3	120-04	Washer .19 x .50 x.08 Zn
25	2x8	108-24	Washer, .34 x .70 x .06 Zn				
26	2	812-17	Collar				
27	1	128-17	Lever Assembly, Handbrake, Spring				
28	1	128-21	Cable Assembly, Handbrake				
29	2	127-35	Grip, Molded				
30	1	127-81	Throttle Twist Grip				
31	1	612-101	Cable Asm., Throttle				
32	1	105-25	Bushing, Flange Oilite FF-310				
33	1	166-12	Caliper, Hydraulic Brake - L				
34	1	166-13	Caliper, Hydraulic Brake - R				
35	2	161-05	O-ring Kit, Knott Caliper				
36	4		Seal, Piston				
37	2		Seal, Rubber				
38	2x1	168-20	Plug, Rubber				
39	2x1	168-02	Screw, Bleeding, Knott Caliper				
40	2x4	103-55	HHCS, 5/16-18 x 2.75 Gr5 Zn				
41	1	170-03	Pad Set (4), Brake - Non-Asbestos				
42	2x4	117-03	Nut, Fin Hex 5/16-18 Zn				
43	2x2	168-01	Piston, Knott Caliper				

6.0 Parking Brake

Avenger Parts Manual



Ref.	Qty.	Part #	Description
1	1	850-96	Caliper Ass'y, LH, Parking Brake
2	1	850-97	Caliper Ass'y, RH, Parking Brake
3	1	850-98	Kit, Service, Parking Brake (includes Ref. 4 - 9, not sold separately)
4	1		Cam Tension Spring (compression)
5	1		Left & Right Brake Pads
6	1		Cam Arm Spring (tension)
7	1		Brake Pad Retaining Screw
8	1		Castle Nut
9	1		Cotter Pin
10	2	103-06	HHCS 5/16-18x1.0 Gr5 Zn
11	5	103-08	HHCS 1/4-20x1.0 Zn
12	2	112-173	Locknut, #5-40, Zn
13	1	112-178	Bolt, Shoulder, 1/2 x 5/8
14	2	112-172	SHCS 5-40 x 3/4 Zn
15	1	108-35	Washer .53 x 1.06 x .09 Zn
16	5	108-24	Washer .34x.70x.06 Zn
17	7	108-47	Washer .39x.94x.13 Zn Di-Chro
18	1	117-10	Locknut, 10-24 N/I Zn
19	4	112-132	HHCS 5/16-18 x 3.25 Gr5 Zn
20	1	112-19	Screw,IHWH T/C Slot 1/4-20x1/2*
21	2	105-43	Bushing .37x.03 Wall x 2.1 Lng
22	5	117-21	Locknut, Nylon 5/16-18 Zn
23	5	117-27	Locknut, Nylon 1/4-20 Zn
24	1	613-120	Switch, Micro, Lever
25	1	118-52	Fuse, 10A 2-Prong (AT010)*
26	1	104-27	Pin, Clevis 5/16x.75" Zn
27	1	100-140	Pin, Bow & Tie Cotter, 0.091 x 1.875
28	1	117-124	5/16" Nylon Insert Cap Nut
29	1	809-147	Lever, Parking Brake
30	1	848-175	Switch, Horn Momentary*
31	1	848-87	Horn, Electric*
32	1	848-176	Harness, Horn Momentary*
33	1	850-72	Bracket Asm, Parking/Brake
35	1	850-79	Pulley, Parking Brake Cable
36	2	850-80	Cable, Parking Brake Equalizer
37	1	850-81	Cable, Parking Brake
38	1	850-82	Flat Bar, Equalizer
39	1	112-143/PI	SHCS 5/16x1.25 Zn
			*If equipped



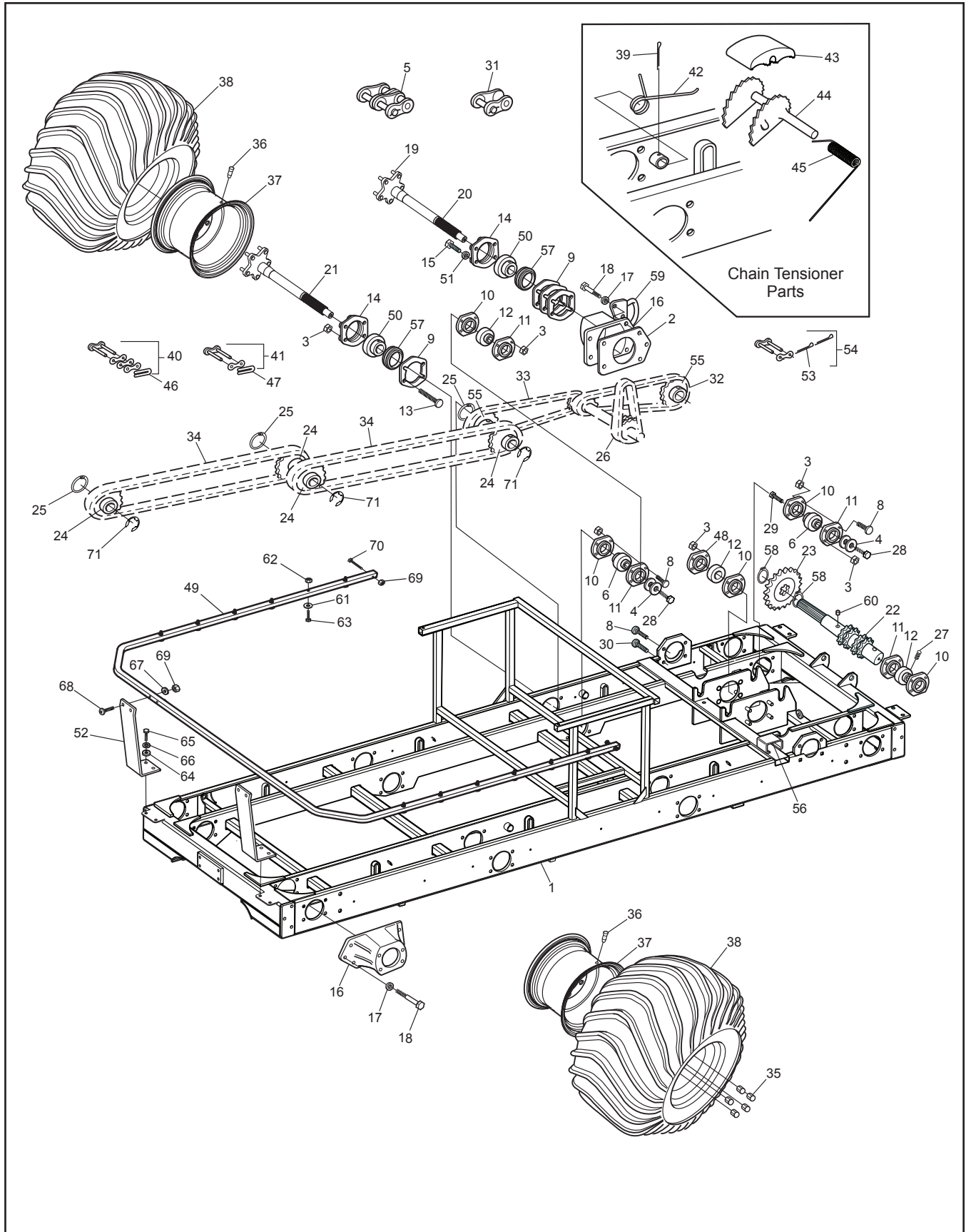
Avenger Parts Manual

7.0 Vehicle Body & Firewall

Ref.	Qty.	Part #	Description	Ref.	Qty.	Part #	Description
1	1	707-56	Wldt. Exhaust Screen	42	36	120-28	Collar, Magna Grip
2	1	601-130	Nameplate, "Argo"	43	1	801-51	Skid Plate, 8x8 - Black
3	2	127-45B	Knuckle, Hinge	44	1	801-194	Body & Hood, Upper -
4	2	127-45A	Pin, Hinge				Avenger (spec. colour) (incl.
5	1	601-101BL	Tube, Dash Handle				23, 33, 34, 38)
6	2	100-109	Cup holder Insert	45	109	120-09	Rivet 3/16 x 1 - Black
7	1	126-68	Plate, Operation	46	8	103-48	T/S Pan HD PHIL #10 x 5/8
8	1	707-59	Wldt. Intake Screen	47	4	126-79	Bumper, Plastic - Black
9	1	608-64	Seat, Rear - Left	48	24	108-25	Washer .31 x .75 x .06 Zn
10	1	100-108	Mesh, Glove Box	49	4	603-15	Washer, Plastic 5/16 Hole
11	2	112-313	Stud, Q-Turn 6mm x 19mm Steel	50	4	103-08	HHCS 1/4-20 x 1.0 Zn
12	1	803-68	Firewall, Avg./Fron. - Alt. Mnt	51	2	112-04	HHCS 1/4-20 x 3/4 Gr2 Zn
13	1	608-65	Seat, Rear - Right	52	1	126-60	Vinyl Strip, 1/2" x 1/4" x 37.5'
14	1	126-67	Plate, Floor Pan	53	8	108-59	Lockwasher #10 Int. Tooth Zn
15	1	127-173	Plate, Vehicle Capacity	54	9	103-47	HHCS 10-24 x 1/2
16	2	127-01	Reflector, Red	55	1	113-12	Insert, 1/2-13
17	1	803-58	Floor Pan, Rear - Avenger	56	1	108-35	Washer .53 x 1.06 x .09 Zn
18	1	127-141	Label, Caution - Keyswitch	57	1	112-151	HHCS 1/2-13 x 1" Gr2 Zn
19	1	126-69	Plate, Fuel	58	1	613-37	Terminal Strip, Ground
20	2	850-370	Nameplate - Argo Avenger	59	13	120-13	Rivet, 3/16 x 3/4 Black
21	2	601-09	Trim, Vinyl - 28"	60	1	117-10	Locknut, 10-24 N/I Zn
22	2	117-126	Clip, Q-Turn 6mm - Steel	61	44	120-24	Rivet, 3/32 x 3/8 Alum. (all plates)
23	1	602-49	Frame Ass'y, Hood - Front	62	2	100-114	Gasket, Drain Plug
24	1	801-05	Bumper, Vinyl - 8x8	63	2	117-82	Locknut, Flange 1/4-20 Zn
25	1	803-59	Floor Pan, Front - Avenger	64	1	602-51	Frame Ass'y, Hood - Rear
26	1	801-50	Body, Lower - Avenger	65	1	127-144	Label, Warning - HOT
27	2	100-107	Plug, Drain - Flanged	66	1	128-26	Grommet, 1-1/2ID x 1-3/4x1/4
28	1	104-13	Pin, Toplink - 3/4 x 2.75	67	6	120-05	Washer, .19 x .50 x .04 Zn
29	1	616-16	Hitch Assembly	68	2	602-52	Clip, Hood - Avenger
30	1	616-19	Tube, Hitch	69	1	616-20	Gasket, Rear Hitch
31	4	103-61	HHCS 3/8-24 x 1.5 Gr5 Zn	70	1	127-150	Plate, Switch Mounting -4 Hole
32	1	104-11	Pin, Lynch - Ring	71	2	114-40	Washer, Stud Retainer 6mm
33	6	120-15	Rivet - 1/8 x 7/16	72	1	707-66	Wldt. Hood Screen Front
34	2	602-56	Latch, Hood - Soft Draw	73	1	129-01	Plate, Geared By ODG
35	2	112-51	Screw, IHWH T/C #10-24x5/8	74	3	112-139	OHPS T/S #4x5/8 Black Zn
36	33	120-11	Rivet 5/32 x 9/16 - Black	75	1	850-386	Nameplate, Avenger LX
37	1	613-123	Post, Power, 5/16-18, Red	76	1	707-62	Wldt. Hood Screen, RH
38	1	602-70	Hood Kit - Avenger (spec. colour) (incl. 3, 4, 34, 36, 40, 53, 54, 59, 67, 68, 72, 76, 77)	77	1	707-63	Wldt. Hood Screen, LH
39	2	117-44	T- Nut 1/4-20 Zn	78	8	108-42	Washer .21 x 1.0 x .06 Zn
40	92	120-04	Washer .19 x .50 x .08 Zn				Note: For ultra chrome add UC to part #
41	36	120-27	Pin, Magna Grip				

8.0 Frame and Drive System

Avenger Parts Manual



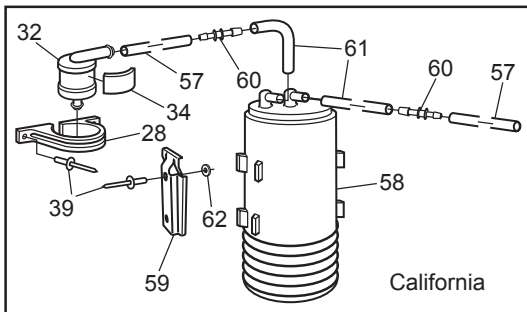
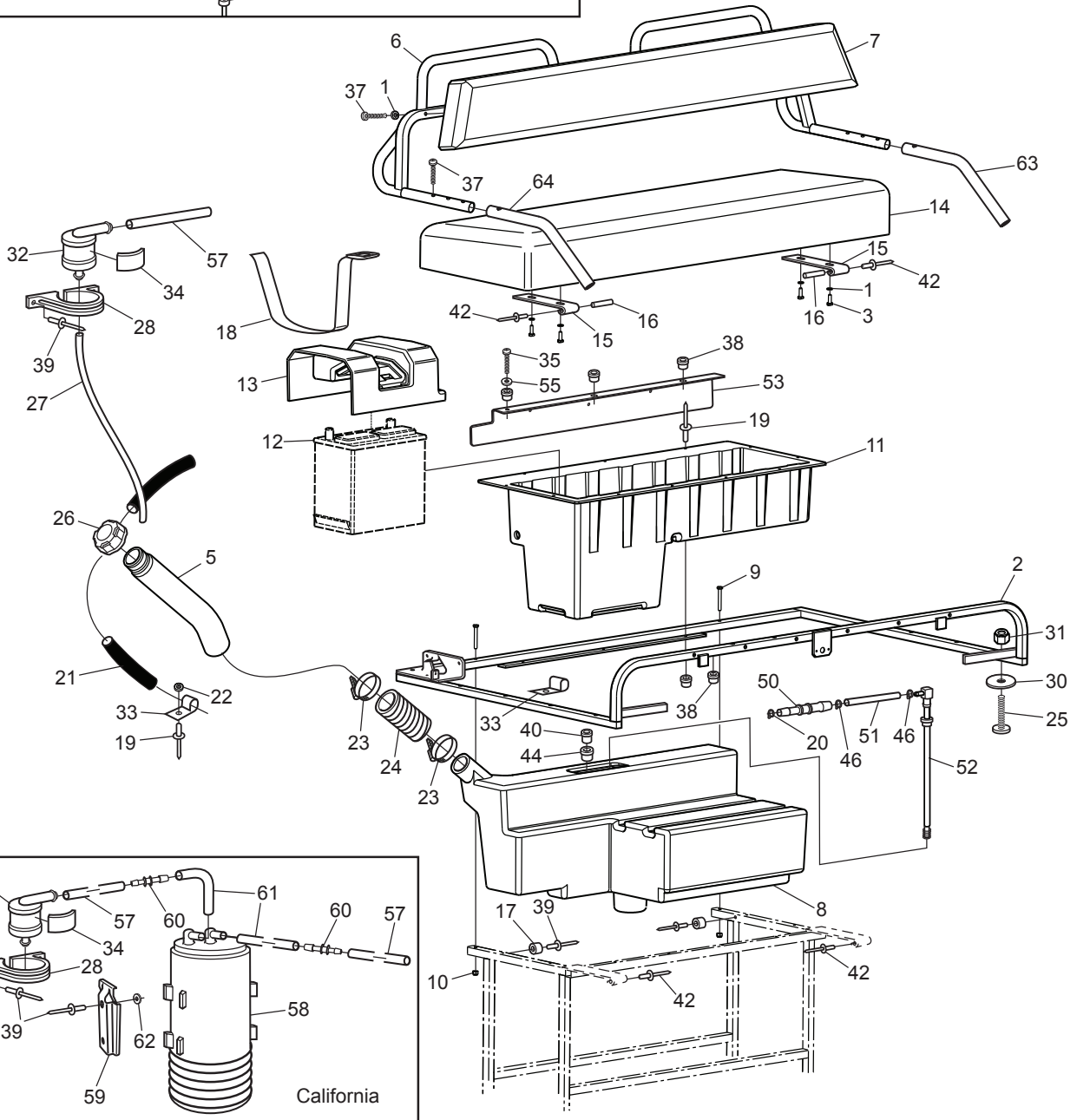
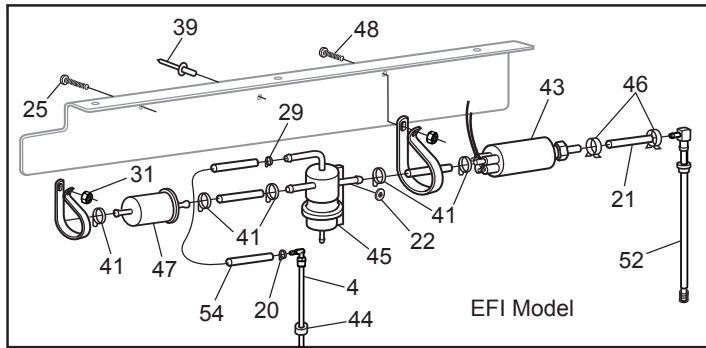
Avenger Parts Manual

8.0 Frame and Drive System

Ref.	Qty.	Part #	Description	Ref.	Qty.	Part #	Description
1	1	804-100	Frame Asm - Avenger	42	6	127-65	Spring Torsion - 1.16x0.35
2	4	606-25	Gasket - Bearing Extension	43	6	606-44	Slider Block
3	80	117-118	Locknut, Nylon 3/8-16 Flanged	44	6	606-82	Tensioner Asm, Chain
4	16	108-46	Washer .40 x 1.37 x .12 Hi-Carbon	45	6	127-64	Spring, Torsion - .76 x 1.9
5		125-75	Link, Half RC50-2	46	4	603-95	Spring Clip - RC 50 Closed
6	8	101-41	Bearing, Ball - 1.0	47	4	603-96	Spring Clip - RC 60 Closed
8	35	103-88	C/Bolt 3/8-16 x 1.0 Gr5 Zn	48	2	606-93	Flange, Greaseable - 90 Deg. Hd
9	16	606-90	Gasket, Flange - 72mm	49	1	806-254	Tube, Rear Hoop, Argo
10	12	606-91	Flange - 4 Hole Hd	50	8	101-123	Bearing, Ball - 1.375x72mm
11	10	606-92	Flange, Greasable - 4 Hole Hd	51	16	108-06	Lockwasher 3/8 Split Ring Zn
12	4	101-96	Bearing, Ball - 1.25x1.5 No Grv	52	2	806-255	Bracket, Rear Hoop, Argo
13	16	112-187	C-Bolt 3/8-16x2.0 Gr5 Zn	53	4	104-35	Pin, Cotter 2mm x 12mm
14	8	606-88	Flange Ass'y, Outer Bearing	54	2	127-188	Link, Con. #60 Lambda
15	16	103-68	HHCS 3/8-16 x 2.0 Gr5 Zn	55	4	805-144	Sprocket, D50x24T-16/32 Int
16	4	810-112	Bearing Extension w/nuts	56	2	606-43	Slide, Chain - 2-3/4"
17	20	108-34	Washer .47 x .94 x .06 Zn	57	8	606-89	Carrier, Axle Bearing
18	20	112-181	HHCS 7/16-20 x 1.75 Gr5 Zn	58	4	107-10	Retaining Ring SH-0125-PA
19	5x8	112-183	Stud, Wheel 7/16-20 x 1.5	59	2	642-47	Tie Down Bracket
20	4	810-122	Axle Asm - Forged - FR/RR	60	1	613-127	Magnet, Speedometer
21	4	810-123	Axle Asm - Forged - Mid	61	14	108-42	Washer .21x1.0x.06 Zn
22	2	810-59	Shaft, Idler - 11T	62	14	117-10	Locknut, 10-24 N/I Zn
23	2	606-72	Sprocket, Idler S60 x 21T	63	14	112-07	RHMS 10-24x1.50 Zn
24	8	805-143	Sprocket, S60x19T-16/32 Int	64	4	108-12	Washer .34x1.00x.06 Zn
25	6	106-15	Retaining Ring SH-0137-PA	65	4	103-06	HHCS 5/16-18x1.0 Gr5 Zn
26	2	803-62	Chain, RC60-1 x 34P Idler-Lambda	66	4	108-05	Lockwasher 5/16 Split-Ring Zn
27	4	112-60	SHSS 1/4-28 x 1/2 Cup Pt.	67	4	108-08	Washer .28x.62x.07 Zn
28	8	112-31	HHCS 3/8-16x1.0 2B Gr8 Zn	68	4	112-215	C/Bolt 1/4-20 x 1.5 Gr2 Zn
29	1	112-163	HHCS 3/8-16 x 2.0 Gr5 Zn	69	6	117-27	Locknut, Nylon 1/4-20 Zn
30	4	112-61	C/Bolt 3/8-16 x 1.25 Gr5 Zn	70	2	112-214	HHCS 1/4-20 x 2 Gr5 Zn
31		127-80	Link, Half - RC60 - 1 (opt.)	71	6	106-34	Retaining Ring, E-Style 1.375"
32	2	803-55	Chain, RC50-2 x 46P-Front (incl. Ref. 40)				
33	2	803-56	Chain, RC50-2 x 74P-Mid (incl. Ref. 40)		8	127-182SR	Tire, Rim & Valve Assemblies Tire, Argo 25 & Steel Offset Rim -RH
34	4	803-57	Chain, RC60-1 x 90P-Rear (incl. Ref. 41)		8	127-182SL	Tire, Argo 25 & Steel Offset Rim -LH
35	5x8	117-35	Nut, Wheel 7/16-20 Zn				
36	8	125-26	Valve, Tire				
37	8	127-255BL	Rim - 9x10x1.2 Offset - Black				
38	8	127-182	Tire, Argo 25x12-9				For Bead Lock Wheel Option see Section 11.0
39	6	100-01	Pin, Cotter 1/8 x 1.50 Zn				
40	1x4	100-96	Con. Link, RC50-2 H.D.				
41	1x4	603-84	Con. Link, RC60-1 H.D.				

9.0 Fuel System & Seat Assembly

Avenger Parts Manual

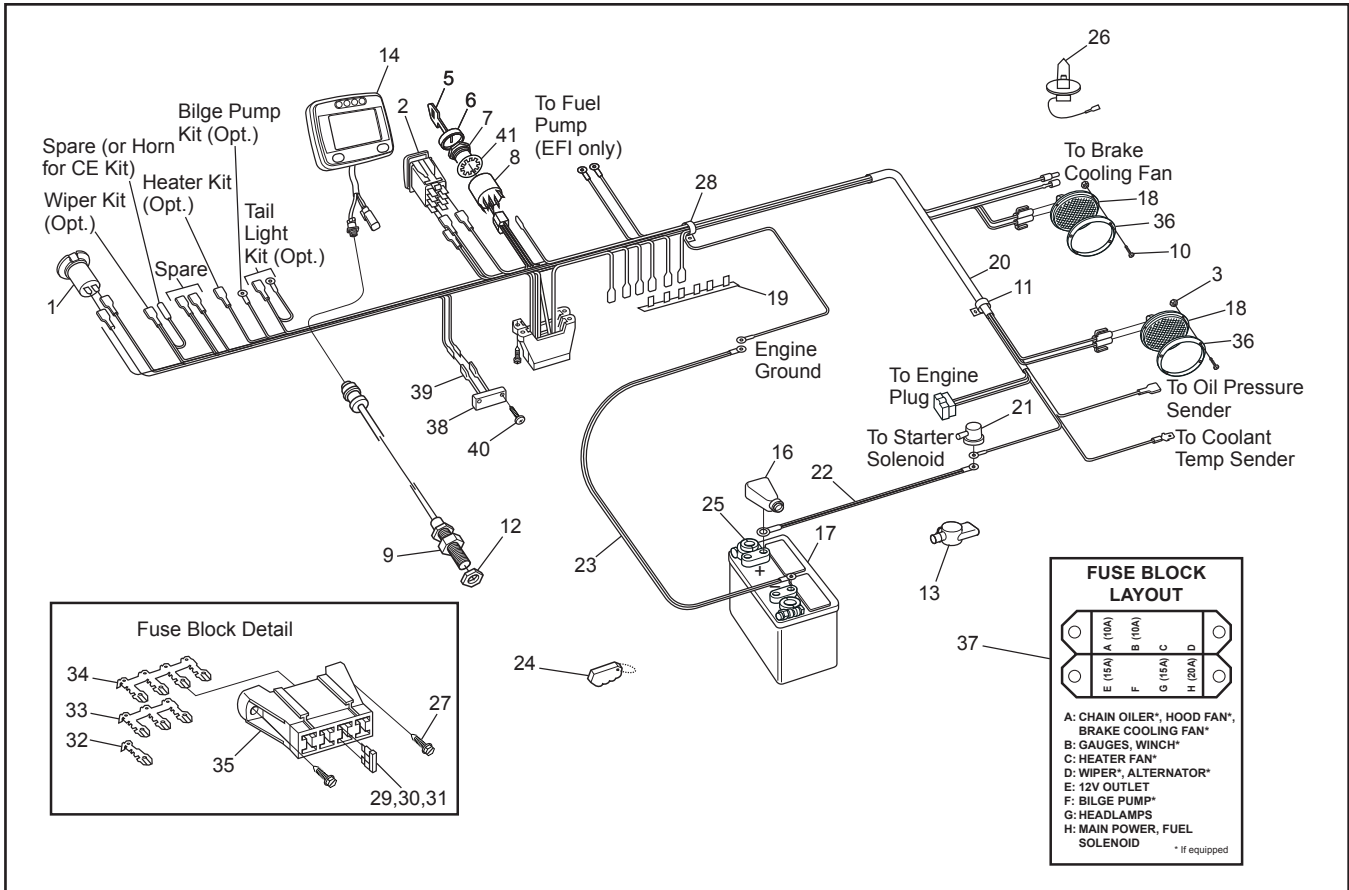


Avenger Parts Manual 9.0 Fuel System & Seat Assembly

Ref.	Qty.	Part #	Description	Ref.	Qty.	Part #	Description
1	8	108-03	Lockwasher 1/4 Split Ring Zn	48	1	103-25	PHMS, 10-24 x 3/4 Zn
2	1	608-96	Frame Assembly, Seat EFI	50	1	808-133	Reducer, 5/16" to 1/4" Barbed
3	4	112-04	HHCS 1/4-20x3/4 Gr2 Zn	51	2"	608-69RM	Hose, Fuel - 5/16" ID Carb
4	1	608-138	Return, Fuel Port	52	1	608-127	Pick-up, Fuel, 5/16 105 Mesh
5	1	608-140	Fuel, Fill Neck Assembly	53	1	601-122	Bracket, Support Body Upper Fuel
6	1	608-186	Weld. Adj. Backrest, Argo	54	1	608-66	Hose, Fuel 1/4" ID, 80"
7	1	608-39	Back Pad Assembly	55	3	108-06	Washer, Countersunk 1/4 Zn
8	1	608-120	Tank, Fuel Low Permeation				United States Vehicle Kit
9	2	103-77	HHCS, 1/4-28 x 2.0	1	127-273		Plate, Serial Blank Double
10	2	117-01	Locknut, Nylon 1/4-28 Zn	1	127-274		Label, U.S EPA EVAP Approval
11	1	608-54	Toolbox	56	2	120-24	Rivet, Alum - 3/32 x 3/8 Black
12	1	127-54	See Section 10.0 Electrical System				California Vehicle Kit
13	1	608-55	Cover, Battery	1	127-273		Plate, Serial Blank Double
14	1	608-88	Seat Assembly, Bench - Thick	1	127-274		Label, U.S EPA EVAP Approval
15	2	608-81	Hinge, Seat, Bolted	39	2	120-13	Rivet - 3/16 x 3/4 Black
16	2	104-43	Pin, 3/16" x 1-1/8"	56	4	120-24	Rivet, Alum - 3/32 x 3/8 Black
17	2	126-102	Bumper, Recessed Hole	1	127-275		Label, Carb EVAP Approval
18	1	608-56	Strap, Battery	57	1	126-101RM	Hose, Vent 3/16" ID
19	17	120-09	Rivet 3/16x1 - Black	58	1	609-45	Carbon Canister 800cc
20	3	112-79	Clamp, Hose, 1/2" - Red	59	1	609-46	Bracket, Carbon Canister
21	1	608-69	Hose, Fuel 5/16" ID x 7.5' - Carb	60	2	609-48	Reducer, Barbed 1/4" to 3/16"
22	9	120-04	Washer .19 x .50 x .08 Zn	61	2	127-160-3	Hose, 1/4ID x 3/8OD - 3" Long
23	2	100-12	Clamp, Gear 2.25" HF-36	62	2	120-05	Washer .19x.50x.04 Zn
24	1	125-94	Hose, Filler	63	1	608-191	Tube, L.F. Backrest, Argo
25	11	112-07	RHMS 10-24 x 1.50 Zn	64	1	608-192	Tube, R.F. Backrest, Argo
26	1	126-100	Fuel Cap, Tethered				
27	6'	127-160RM	Tubing, 1/4 ID Clear Plastic				
28	1	609-50	Clamp, Rollover Valve				
29	1	112-258	Clamp, Fuel Injection 1/4				
30	10	108-42	Washer .21 x 1.0x.06 Zn				
31	14	117-10	Locknut, Nylon #10-24 Zn				
32	1	609-47	Valve, Rollover				
33	7	126-93	Clamp, Nylon Wire - 1/2" ID				
34	1	126-60	Vinyl Strip 1/2" x 1/4"				
35	3	112-213	FHMS, Phil 1/4-20 x 1.25 Zn				
36	1	112-41	PHMS, Phil 1/4-20 x 1.25 Zn				
37	6	103-03	PHMS, Phil 1/4-20 x 1.50 Zn				
38	5	117-64	Insert, 1/4-20 Steel Cad Pltg.				
39	33	120-13	Rivet, 3/16 x 3/4 Black				
40	1	608-137	Plug, Push-In				
41	6	112-243	Clamp, Fuel Injection 5/16"				
42	4	120-31	Rivet, 3/16" x 1/4, Open End				
43	1	24 393 52	Fuel Pump, EFI				
44	1	608-136	Grommet, Fuel Return				
45	1	24 403 16	Regulator, Fuel Pressure				
46	2	112-78	Clamp, Hose, 9/16				
47	1	24 050 03	Filter, Fuel Line - EFI - c/w engine				

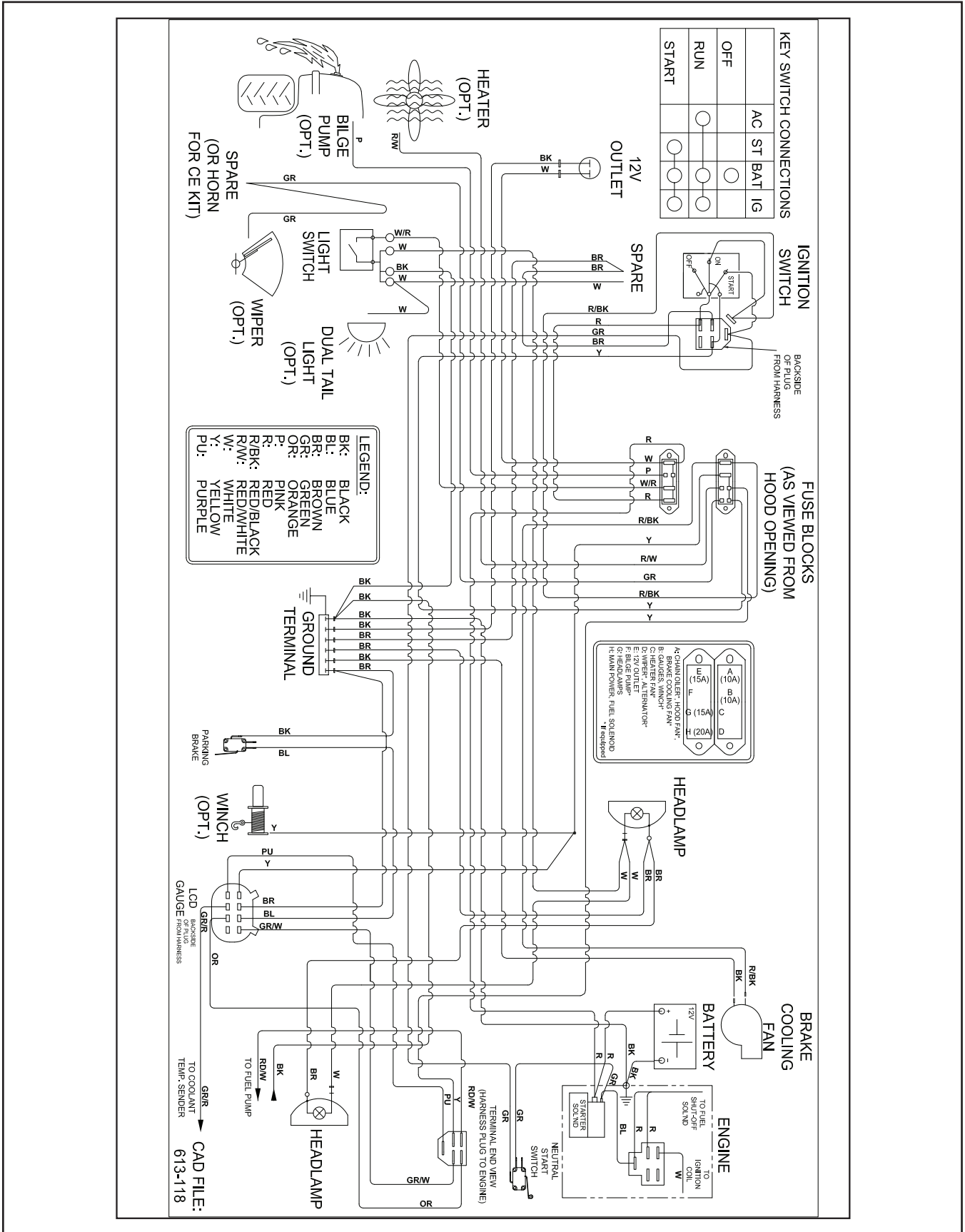
10.0 Electrical System

Avenger Parts Manual



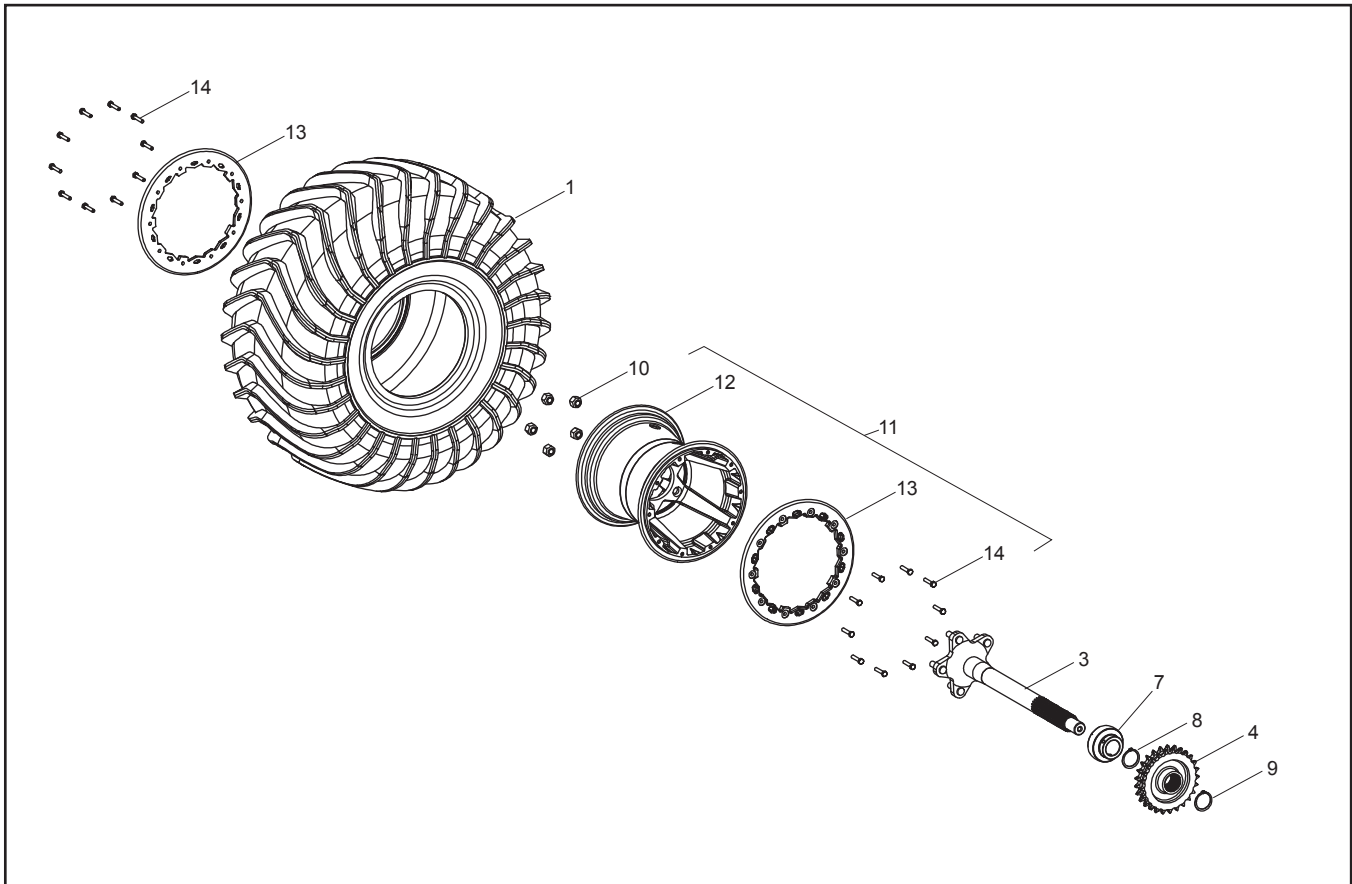
Ref.	Qty.	Part #	Description
1	1	613-90	Outlet, 12 Volt DC
2	1	613-153	Switch, Light
3	8	117-93	Nut, Speed #10
5	2	127-108	Key, Molded
6	1	127-107	Bezel - Cover, Nut
7	1	127-106	Nut, Flanged - Plastic
8	1	127-105	Switch - Ignition
9	1	613-226	Sensor, Speedo Pickup 1 Pc.
10	8	112-198	T/S Pan Hd Phil #10 x 1 Blk.
11	4	127-24	Clamp, Nylon - 1" ID
12	1	117-87	Nut, M12 x 1.25, Zn
13	1	613-124	Insulator, 2 Way w/cap, Red
14	1	613-130	Gauge, LCD
16	1	127-55	Cap, Battery Terminal - Red
17	1	127-54	Battery, Exide 45-60
	1	613-161	Battery, Optima - Argo (Opt.)
18	2	613-159	Headlight 37.5
19	2	613-37	Terminal Strip, Ground
20	1	613-118	Wire Harness, Kohler 31HP EFI
21	1	613-46	Insulator, Terminal (2 ga.)
22	1	613-94	Wire, Positive Battery
23	1	613-95	Wire, Negative Battery

Ref.	Qty.	Part #	Description
24	1	681-00	FOB, Key - Floating
25	2	127-56	Terminal, Battery Post
26	2	127-46	Bulb, Headlight - Halogen 37W
27	2	112-51	Screw, IHWH T/C #10-24 x 5/8
28	4	126-93	Clamp, Nylon Wire - 1/2" ID
29	1	118-52	Fuse, 10A 2 Prong (AT010)
30	4	118-49	Fuse, 15A 2 Prong (AT015)
31	1	118-53	Fuse, 20A 2 Prong (AT020)
32	9	118-62	Terminal - Fuse, single
33	1	118-63	Terminal - Fuse, triple
34	1	118-61	Terminal - Fuse, quad
35	2	118-60	Block - Fuse, 8 position (4 fuse)
36	2	613-152	Bezel, Headlamp
37	1	127-298	Label, Fuse Panel - Argo
38	1	613-99	Light, Shifter Illumination
39	2	118-69	Terminal, 3/16 Male Blade 22 Ga
40	2	112-139	OHPS T/S #4 x 5/8 Black Zn
41	1	114-26	Lockwasher, 5/8 Int. Tooth

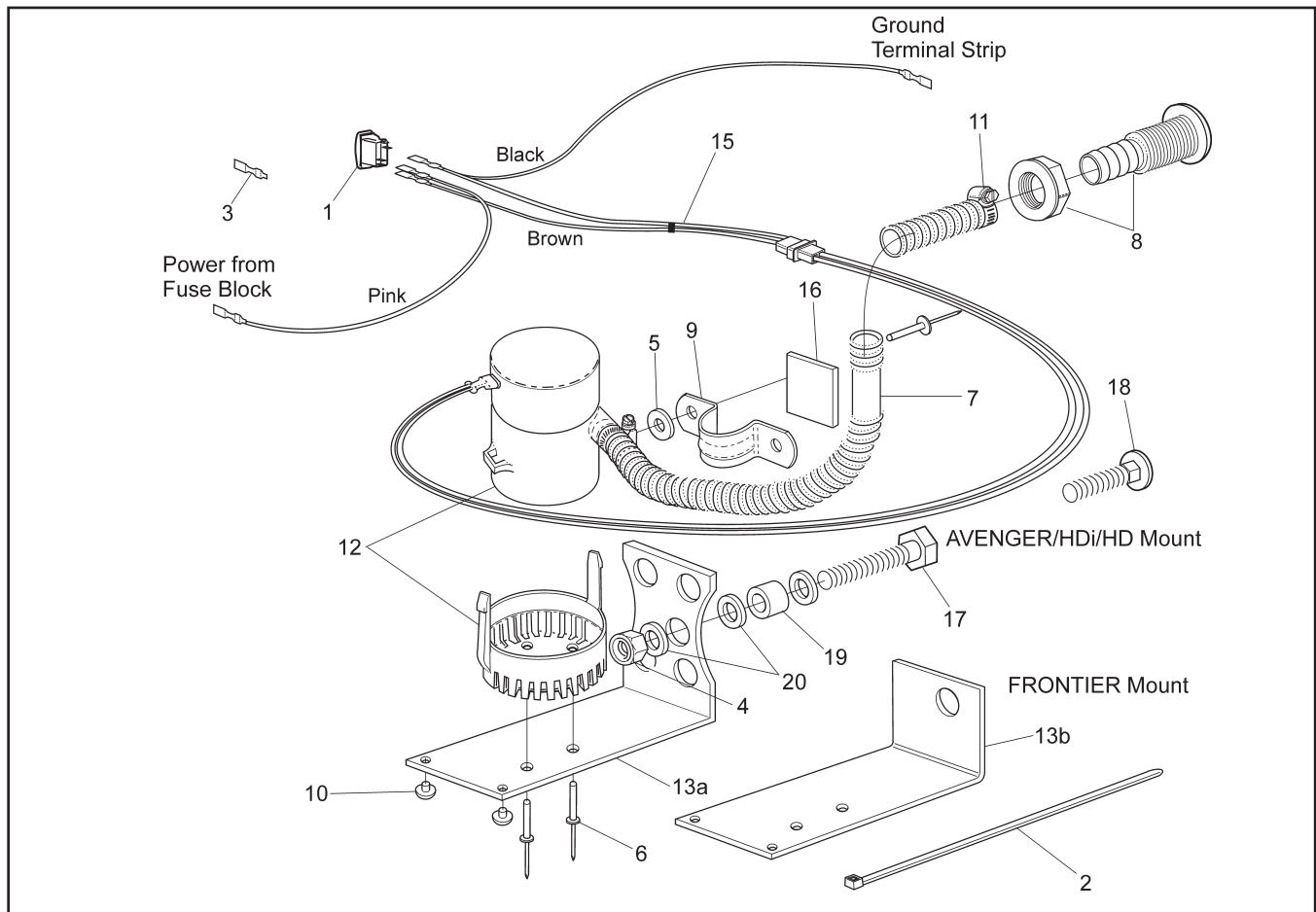


11.0 Bead Lock Wheel Option

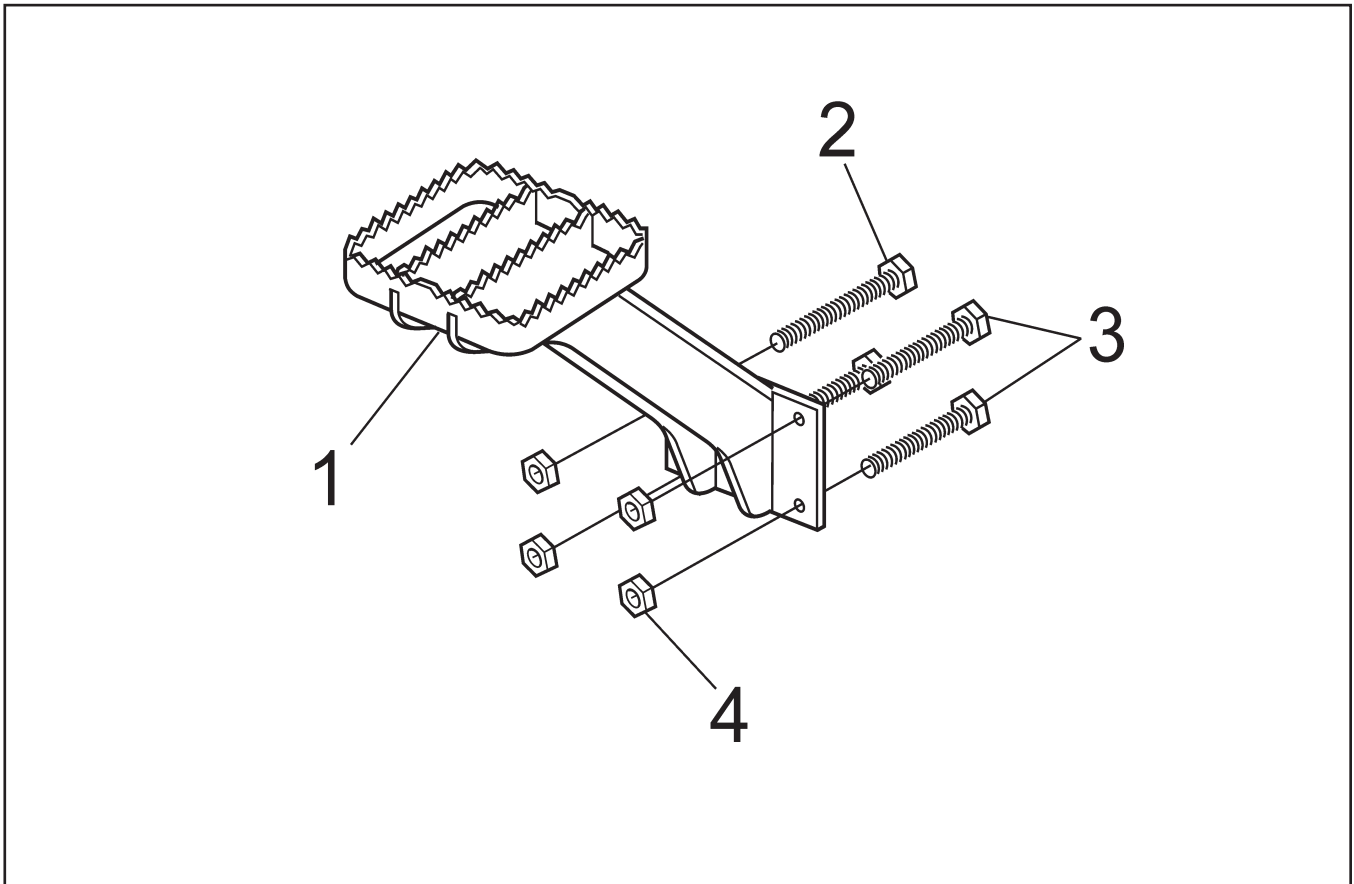
Avenger Parts Manual



Ref.	Qty.	Part #	Description
1	8	127-182	Tire, Argo 25
2	4	810-122	Asm, Axle Forged - FR/RR
3	4	810-123	Asm, Axle Forged - Mid
4	4	805-144	Sprocket, D50x24T-16/32 Int
5	8	805-143	Sprocket, S60x19T-16/32 Int
7	8	101-123	Bearing, Ball -1.375 x 72mm
8	8	106-15	Retaining Ring SH-0137-PA
9	4	106-34	Retaining Ring, E-Style 1.375"
10	40	117-117	Nut, Wheel 7/16-20 Chrome
11	8	127-250	Rim Asy - Dual Bead Lock Alum (incl. Ref. 12-14)
12	1	127-251	Rim, Offset Dual Bead Lock
13	1	127-252	Rim Ring - Dual Bead Lock Clamping
14	20	112-218	HHCS Washer HD M6x1,0x30mm Zn



Ref.	Qty.	Part #	Description
1	1	613-154	Switch, Bilge Pump
2	10	100-64	Tie Wrap
3	1	118-64	Terminal, Female 1/4 22-18 Ins
4	2	117-29	Locknut, Nylon
5	4	120-04	Washer, 3/16"
6	4	120-13	Rivet, 3/16 x 3/4
7	1	638-05	Flex Hose, 3'
8	1	638-08	Hull Fitting
9	1	638-11	1" Pipe Strap
10	2	638-14	Rubber Bumper
11	2	638-16	Gear Clamp
12	1	638-18	Bilge Pump & Wire ASM
13a	1	638-19	Bracket, Bilge Pump
13b	1	638-41	Bracket, Bilge Pump
15	1	638-28	Wire Harness w/3 amp fuse
16	1	702-06	Foam Cushion
17	1	112-163	HHCS 3/8-16 x 2.0 Gr5 Zn
18	1	103-88	C/Bolt 3/8-16 x 1.0 Gr5 Zn
19	1	603-66	Spacer, .500 ID x .625 Lg.
20	3	108-15	Washer .42 x .81 x .05 Zn



Ref.	Qty.	Part #	Description
1	1		Step Asy, Entry - Avenger (not sold separately)
2	1	103-76	HHCS 3/8-16x1.75 Gr5 Zn
3	3	103-82	HHCS 3/8-16x1.5 Gr5 Zn
4	4	117-29	Locknut, Nylon 3/8-16 Zn

ARGO Products Manufactured by:

Ontario Drive & Gear Limited

220 Bergey Court

New Hamburg, Ontario

Canada N3A 2J5

Phone: (519) 662-2840

Fax: (519) 662-2421

www.argoxtv.com

ODG *Dedicated to quality and performance*