

Argo 6x6
VANGUARD



ARGO

**VANGUARD
PARTS MANUAL**

Model Nos. V699-51
From Serial # S13434

Foreword

ODG has prepared this parts manual for the VANGUARD model to assist both qualified mechanics and vehicle owners in ordering correct, quality replacement ARGO parts.

Proper and regular service, and replacing old, worn or broken parts with the correct ARGO replacement parts, are both essential to prolonging the life of the ARGO. Please refer to this parts manual before ordering any replacement part.

All information contained in this VANGUARD Parts Manual is based on the latest product specification available at time of printing. If your VANGUARD differs from the specifications contained in this manual, contact Ontario Drive & Gear Limited for information.

ODG reserves the right to alter specifications on the VANGUARD model at any time, without obligation or prior notification.

Reproduction of the VANGUARD Parts Manual No. 699-51-2, in whole or in part, is prohibited without prior written permission from Ontario Drive & Gear Limited.

Model Identification

VANGUARD - Model No. V699-51

Explanation of Parts Manual Format

- Ref** - Reference number between assembly diagram and component parts list
- Part No.** - Argo replacement part number for identification and re-ordering
- Description** - Part description for identification and re-ordering
- Qty** - Indicates the quantity of a part used in an Assembly

ARGO 6x6

VANGUARD

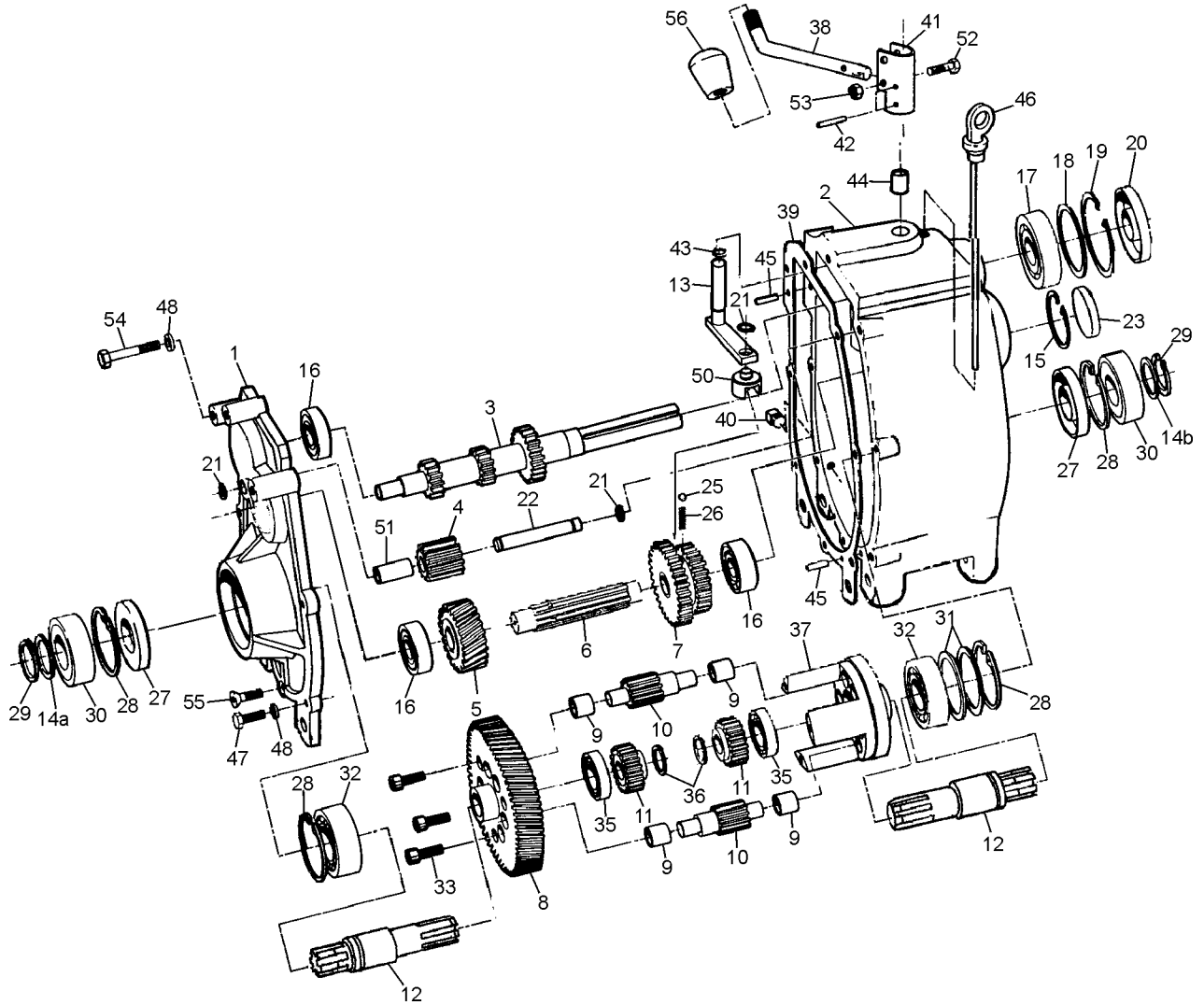


Using the Parts Manual

1. Find the major vehicle assembly in the Table of Contents on this page, and turn to that section.
2. Locate the part in the illustration that you wish to order.
3. Refer to the parts list in that section.
4. Find the correct part number (Part No.), part description (Description) and correct quantity (Qty).
5. Use *only* this information to order ARGO replacement parts. *DO NOT* attempt to order a replacement part by reference number or page number.

Table of Contents

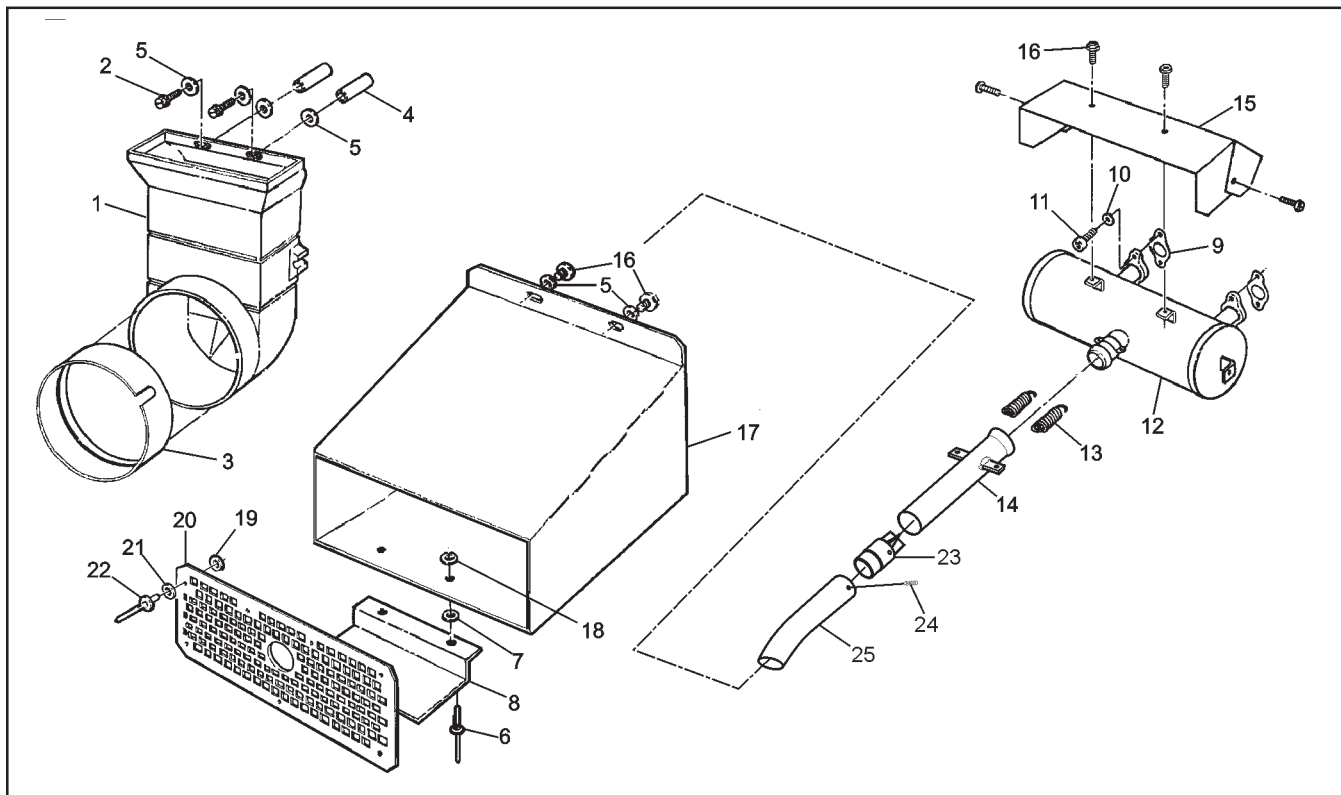
Foreword	i
Model Identification	i
Using the Parts Manual	ii
1.0 Transmission	1
2.0 Intake and Exhaust System	3
3.0 Clutch System	4
4.0 Power Pack Assembly	5
5.0 Brake System - Hydraulic	7
6.0 Vehicle Body & Firewall	9
7.0 Frame & Drive System	11
8.0 Fuel System & Seat Assembly	13
9.0 Electrical System	15



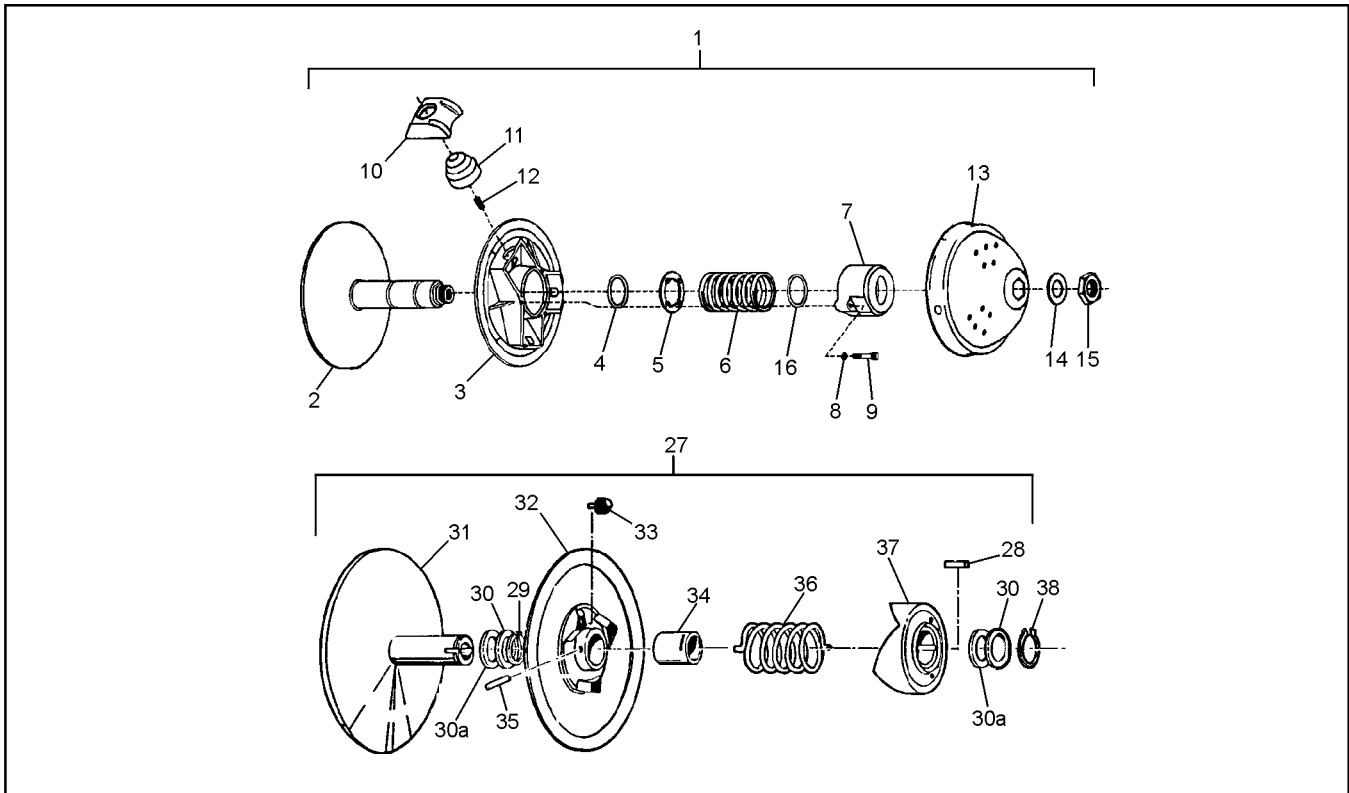
Ref.	Qty.	Part #	Description
*		610-18H	Transmission Asm - H, (does not include Refs 38, 52, 53 & 56)
1	1	34-68	Cover, Transmission
2	1	34-99	Housing, Transmission
3	1	34-21	Shaft, Input - 13/21T
4	1	34-16A	Gear, Idler 13T (incl. Ref. 51)
5	1	34-96	Gear, Helical - 26T-H
6	1	34-94	Shaft, Spline
7	1	34-91	Gear, Double - 26/33T
8	1	34-43	Gear Plate - 71T-H
9	12	105-03	Bushing, Oilite 1/2 x 3/4
10	6	34-13	Gear, Planet - 12T
11	2	34-14	Gear, Sun - 21T
12	2	34-98	Shaft, Output
13	1	34-65	Shifter Asm
14a	1	114-04	Washer, Shim .040 Thk
14b	1	114-05	Washer, Shim .020 Thk
15	1	106-01	Retaining Ring
16	3	101-01	Bearing, Ball 6204Z-C3
17	1	101-16	Bearing, Ball 6206-C3
18	as req.	114-02	Washer, Shim
19	1	106-05	Retaining Ring
20	1	102-05	Seal, Oil WBS 30x62x10
21	3	107-05	Retaining Ring
22	1	34-11	Pin, Dowel 1/2 x 3.50
23	1	31-07	Plug plate
25	1	109-05	Ball, Steel 6mm 62-67 Rc
26	1	34-32	Spring, Compression - 7/32 x 0.50
27	2	102-03	Seal, Oil WBS 30x72x10
28	4	106-03	Retaining Ring
29	2	107-02	Retaining Ring
30	2	101-05	Bearing, Ball 6306-2NSE C3
31	2	114-01	Washer, Shim .020x2.25x2.81
32	2	101-03	Bearing, Ball 6207-C3
33	3	103-04	SHCS 5/16-18 x 1.00 Bare
35	2	101-15	Bearing, Ball 6005-C3
36	2	107-04	Retaining Ring
37	1	34-08	Cage
38	1	610-77	Lever, Shift
39	1	34-47	Gasket, Cover - 1/64"Thk
40	1	103-02	Plug, Magnetic 3/8 - 18 NPT Sq. Hd.
41	1	34-86	Holder, Shift Lever
42	2	111-01	Pin, Slotted Spring 5/32 x 1.00
43	1	113-01	O-Ring 012-7147
44	1	105-02	Bushing, Oilite 1/2x 1.0
45	2	104-03	Pin, Dowel 1/4 x 7/8
46	1	34-77	Dipstick - with Breather
47	4	103-06	HHCS 5/16-18x1.00 GR5 Zinc
48	7	108-05	Lockwasher 5/16
50	1	34-63	Shift Yoke
51	1	105-05	Bushing, Oilite 1/2 x 1.5 (in Ref 4)
52	1	103-97	HHCS 1/4-20x1.25 GR5 Zinc
53	1	117-27	Locknut, Nylon 1/4-20 Zinc
54	3	103-84	HHCS 5/16-18x2.25 GR5 Zinc
55	1	103-95	FHSC 5/16-18x1.0 GR8 Zinc
56	1	126-38	Knob, Shift

2.0 Intake and Exhaust System

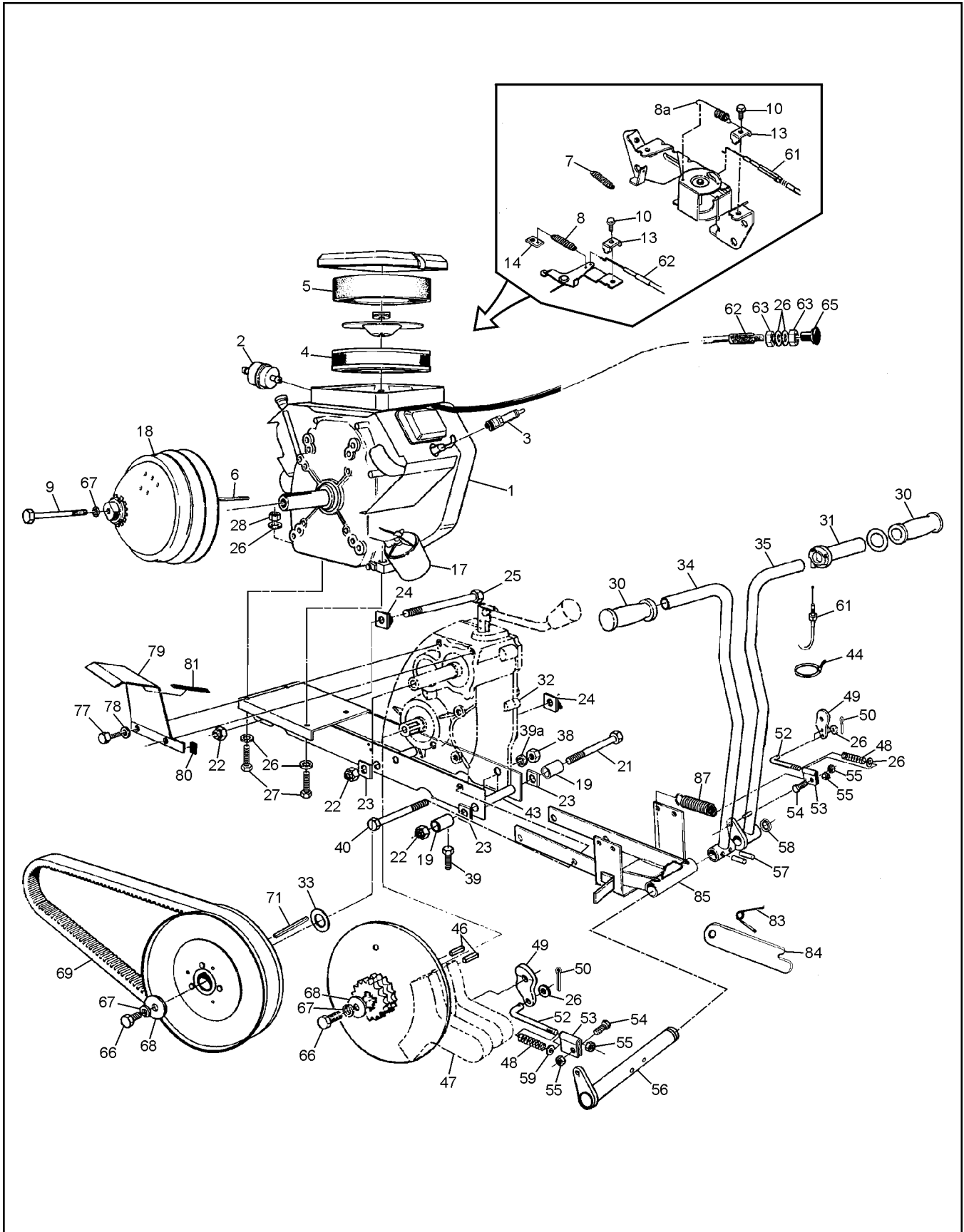
Vanguard Parts Manual



Ref.	Qty.	Part #	Description
1	1	603-81	Duct, Intake
2	2	112-48	Screw, T/S HH#14x2.25 Zinc
3	1	603-82	Seal
4	2	120-29	Spacer, .26 ID x 1.12 LG
5	6	108-08	Washer, .28 x .62 x .04 Zinc
6	2	120-13	Rivet 3/16 x 5/8 - Black
7	2	125-58	Washer, Fibre - W-77F
8	1	707-28	Support, Exhaust Duct
9	2	805024	Gasket
10	4	108-02	Lockwasher 5/16 Hi-Collar Bare
11	4	112-30	SHCS M8x1,25x20mm Zinc
12	1	807-90	Muffler, B&S V-Twin Weld Ass'y
13	2	126-57	Spring, Extension- 7/16x2.14
14	1	807-92	Pipe, Mufflertail - B&S
15	1	807-85	Shield, Muffler Heat
16	6	112-19	Screw, IHWH T/C Slot 1/4-20x1/2
17	1	707-32	Duct, Exhaust
18	2	120-04	Washer .19x.50x.08 Zinc
19	7	120-05	Washer .19x.50x.04 Zinc
20	1	707-31P	Screen, Exhaust
21	7	125-59	Washer, Fibre -.062x.25x.50
22	7	120-09	Rivet 3/16 x 1 - Black
23	1	807-67	Spark Arrester
24	1	112-43	Screw, IHWH #8x3/8
25	1	807-89	Tube, Tailpipe Outlet



Ref.	Qty.	Part #	Description
1	1	127-72	Clutch, Driver, keyed (incl. Refs. 2 to 15) IBC #0400-0028
2	1	0405-0021	Pulley, Half - Fixed
3	1	0410-0007	Pulley, Half - Sliding
4	1	V08	Ring, Retaining
5	1	V09	Plate, Spring Guide
6	1	V10-48-108-18	Spring
7	1	0440-0001	Cover, Spring
8	3	420-2453-700	Lockwasher
9	3	222-9640-66	SHCS
10	3	0130-3002	Block, Red
11	3	C13-200	Weight - 200g
12	3	C24-L1	Spring, Anti-Noise
13	1	0115- 0015(B)	Cap
14	1	0080-0153	Washer
15	1	0080-0100	Nut
16	1	V08C	Ring, Retaining
27	1	126-129	Clutch, Driven-Model "B" SODB0001 (incl. Refs. 28 to 37)
28	1	ASK-5	Key 1/4 x 1/4 x 5/8
29	1	ASR-6	Retaining Ring
30	as req	ASA-1	Spacer .050" Thick
30a	as req	ASA-1-S	Spacer .025" Thick
31	1	AFK25.4-250OD01	Pulley, Half - Fixed
32	1	AMC-2-250OD01	Pulley, Half - Sliding incl. Refs. 33, 34 and 35
33	3	ANS-2-T	Shoe, Cam
34	1	5040-3003	Bushing, SuperOilite
35	1	111-01	Pin, Spring 5/32 x 1.00 Slotted
36	1	ACS-3-188	Spring, Blue
37	1	AFC-4-C3D4	Cam
38	1	371-9031-000	Retaining Ring

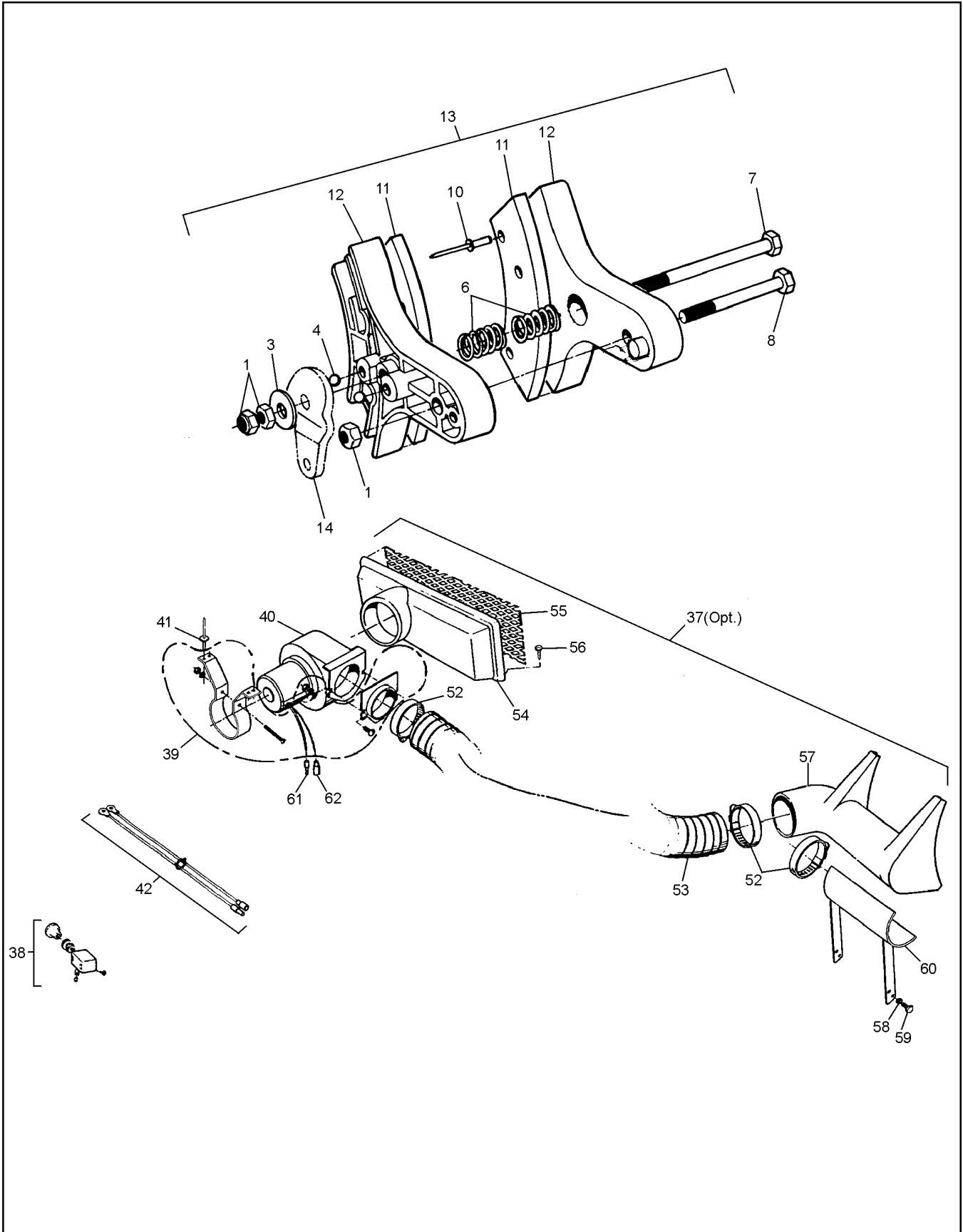


Vanguard Parts Manual

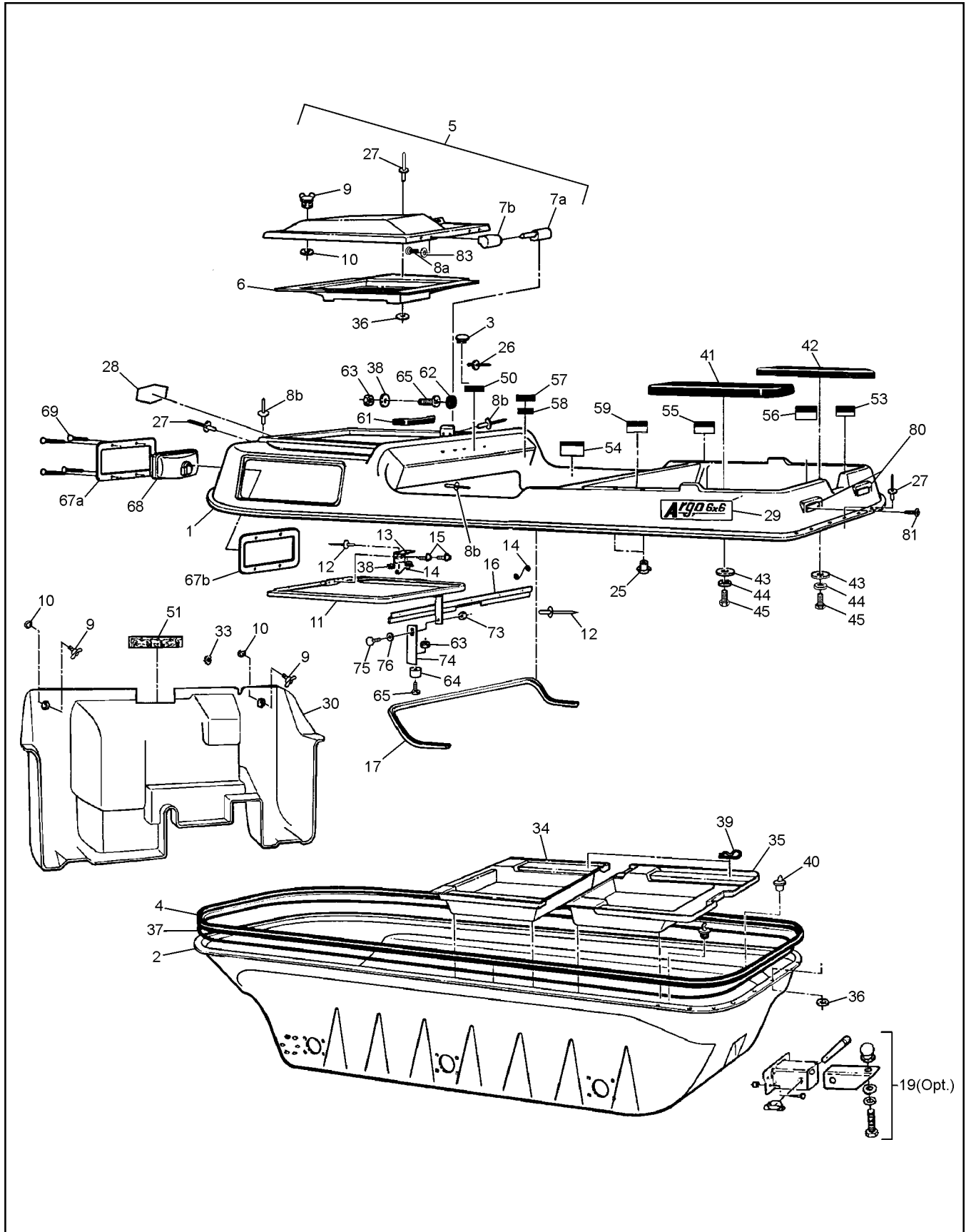
4.0 Power Pack Assembly

Ref.	Qty.	Part #	Description
1	1	126-52	Engine - Vanguard V-Twin 16 HP (incl. refs. 2-14, 17) B&S#3034471026E1
2	1	125-64	Fuel filter, G81-4
3	2	126-74	Spark Plug #3926
4	1	394018	Filter - Air (B&S#)
5	1	272490	Element, - Foam (B&S#)
6	1	110-03	Key 1/4x3/16x2.375 RC46
7	1	805523	Spring, Governor - Green
8	1	125-88	Spring, Extension
8a	1	127-49	Spring, Return
9	1	112-28	HHCS 3/8-24x4.5 GR5 Zinc
10	2	805169	Screw-Hex Head (BS #)
13	2	805170	Clamp - Casing (BS #)
14	1	601-86	Clip, Retainer
17	1	126-95	Filter, Oil
18			See Section 3.0 Clutch
19	2	811-14	Spacer
21	1	112-57	HHCS 5/8-11x10.00 Gr5 Zinc
22	3	117-09	Locknut, Nylon 5/8-11 Zinc
23	3	811-09	Washer, Square .64ID
24	2	811-15	Washer, Square lock .64ID
25	2	112-58	HHCS 5/8-11x7.50 Gr5 Zinc
26	14	108-24	Washer 5/16 SAE Zinc
27	4	112-27	HHCS 5/16-18x1.75 Gr5 Zinc
28	4	117-21	Locknut, Nylon5/16-18Zinc
30	2	127-35	Grip, Molded Rubber
31	1	127-81	Throttle Twist Grip
32			See Section 1.0 Transmission
33	as req	108-36	Washer .06x1.00x1.375 Zinc
34	1	612-98	Lever, Steering - LH
35	1	612-99	Lever, Steering - RH
38	2	117-06	Nut, Fin Hex 1/2-13 Zinc
39	2	103-53	HHCS 3/8-16x3.0 Full Thread
39a	2	108-07	Lockwasher 1/2
40	2	112-52	HHCS 1/2-13x7.0 Gr5 Zinc
43	1	611-71	Frame-Power Pack
44	1	100-64	Tie-Wrap - 5.5" - Black

Ref.	Qty.	Part #	Description
45	2	610-76	Brake Disc-#40-2x15T
46	4	110-14	Key 1/4x1/4x1.25
47			See Section 5.0 Brake System
48	2	127-48	Spring, Comp. .54x1.90
49	2	612-41	Brake Cam
50	2	100-03	Pin, Cotter 3/32x.750 Zinc
52	2	612-21	Brake Adjusting Rod
53	2	612-20	Steering Rod Clamp
54	2	103-46	HHCS 5/16-24x1.0 Gr5 Zinc
55	4	117-04	Locknut, Nylon 5/16-24 Zinc
56	1	612-81	Steering Shaft Asm.
57	2	111-04	Pin, Spirol 5/16x1.50
58	1	107-01	Retaining Ring
60			See Section 3.0 Clutch System
61	1	612-101	Cable Asm, Throttle
62	1	612-92	Cable Asm, Choke (incl. 63)
63	2		Jam Nut, 5/16-24 (Part of 62)
65	1	126-75	Knob, Choke - Black
66	2	103-18	HHCS 3/8-24x1.25 Gr5 Zinc
67	4	108-06	Lockwasher 3/8
68	3	108-18	Washer 13/32x1.375x11GA
69	1	125-56	Drive Belt
70	1	103-34	HHCS 3/8-16x1.25 Gr5 Zinc
71	1	110-09	Key 1/4 x 1/4 x 3.0
77	2	103-17	HHCS 3/8-16x1.0 Gr5 Zinc
78	2	108-26	Washer 3/8 Zinc
79	1	603-29	Guard, Belt Protect
80	1	601-92	Vinyl Trim - 1.5"
81	1	601-93	Vinyl Trim - 4.25"
83	1	126-87	Spring, Parking Brake
84	1	612-80	Holding Brake Lever
85	1	612-100	Bracket Asm., Mech. Brake
87	2	127-33	Spring, Extension - Strg Lever



Ref.	Qty.	Part #	Description
1	3x2	117-46	Locknut, 2-way 5/16-24 Zn
3	1x2	108-12	Washer, .34x1.00x.06 Zinc
4	2x2	109-02	Ball, Steel 1/4 Chromesteel
6	2x2	100-10	Spring, Compression
7	1x2	103-16	HHCS 5/16-24x3.75 Gr8Zn
8	1x2	103-29	HHCS 5/16-24x2.75 Gr8Zn
10	8x2	120-11	Rivet - 5/32x9/16
11	1x2	100-56	Brake Pad, Set of 2
12	2x2	100-54A	Caliper, Brake
13	1x2	100-72A	Brake Assembly (incl. Refs. 1 to 12)
14			See Section 4.0 Power Pack Assembly
37	1	668-03	Brake Cooling Kit-Van2 (incl. Refs. 38 to 62)
38	1	100-62	Switch, Light
39		125-92	Adpt. & Mounting Kit (incl. Refs. 43 to 50)
40	1	125-91	Blower Fan
41	4	120-13	Rivet - 3/16x5/8
42	1	613-05	Wire Harness
43	1		Mounting Bracket
44	1		Nut, #10-32
45	1	See	Lockwasher, 3/16"
46	1	125-92	Screw, #10-32 x 2"
47	2	above	Nut, 1/4-20
48	2		Lockwasher, 1/4"
49	2		Screw, 1/4-20 x 5/8"
50	1		Adaptor, 3" dia.
52	3	125-35	Clamp, Gear 3.50" HF-52
53	1	127-44	Hose, Intake 3" dia. x 46"
54	1	601-89	Intake Flange (specify clr)
55	1	126-61	Intake Screen
56	4	112-56	Pan HD Phil T/S #10x3/4 A Zinc
57	1	127-39	Brake Cooling Duct
58	4	108-03	Lockwasher 1/4
59	4	112-19	Screw, IHWH T/C Slot 1/4- 20x1/2
60	1	668-11	Mounting Bracket - Duct
61	1	118-02	Terminal, Male - #76-1251
62	1	118-03	Terminal, Female - #76-1289

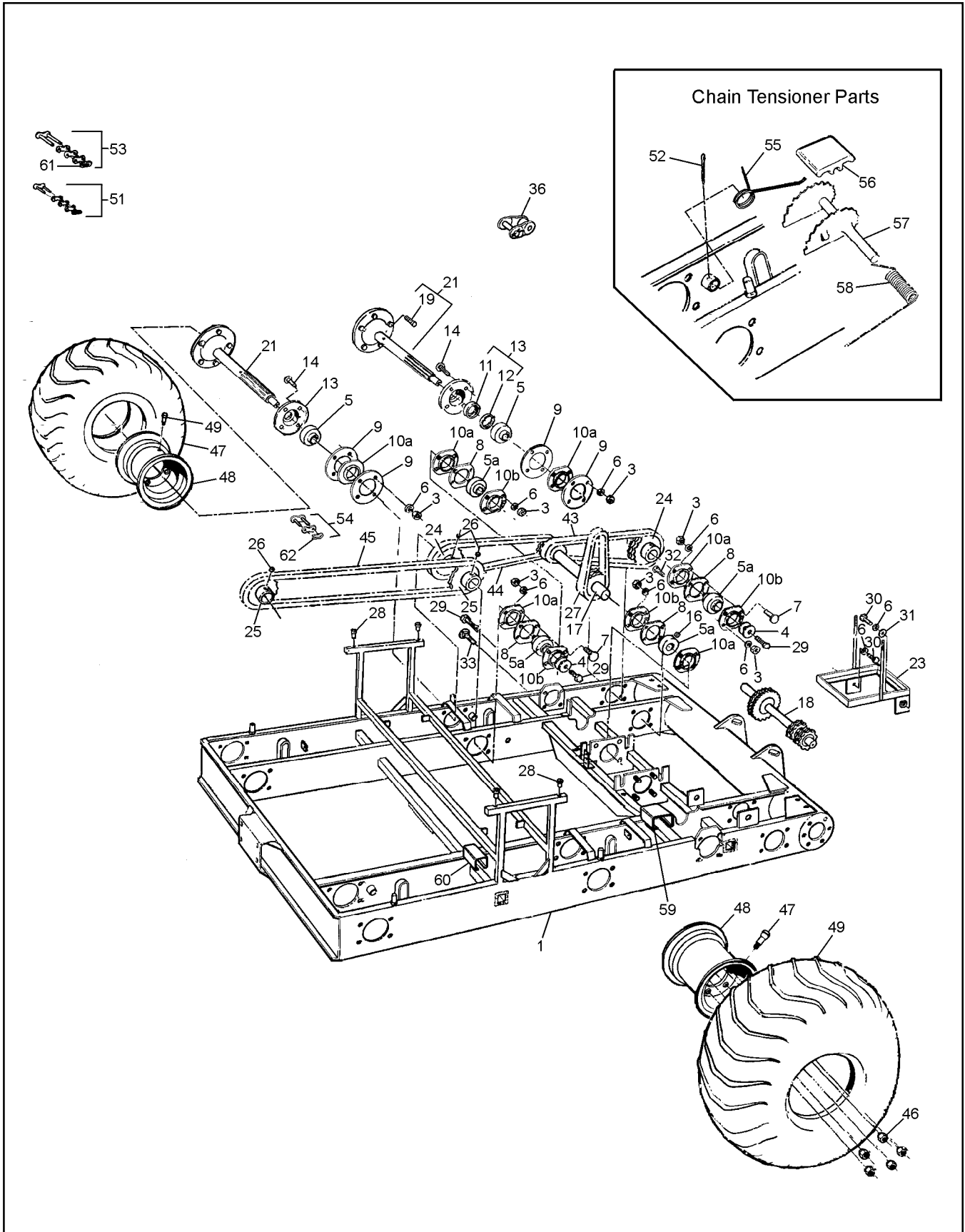


Vanguard Parts Manual

6.0 Vehicle Body & Firewall

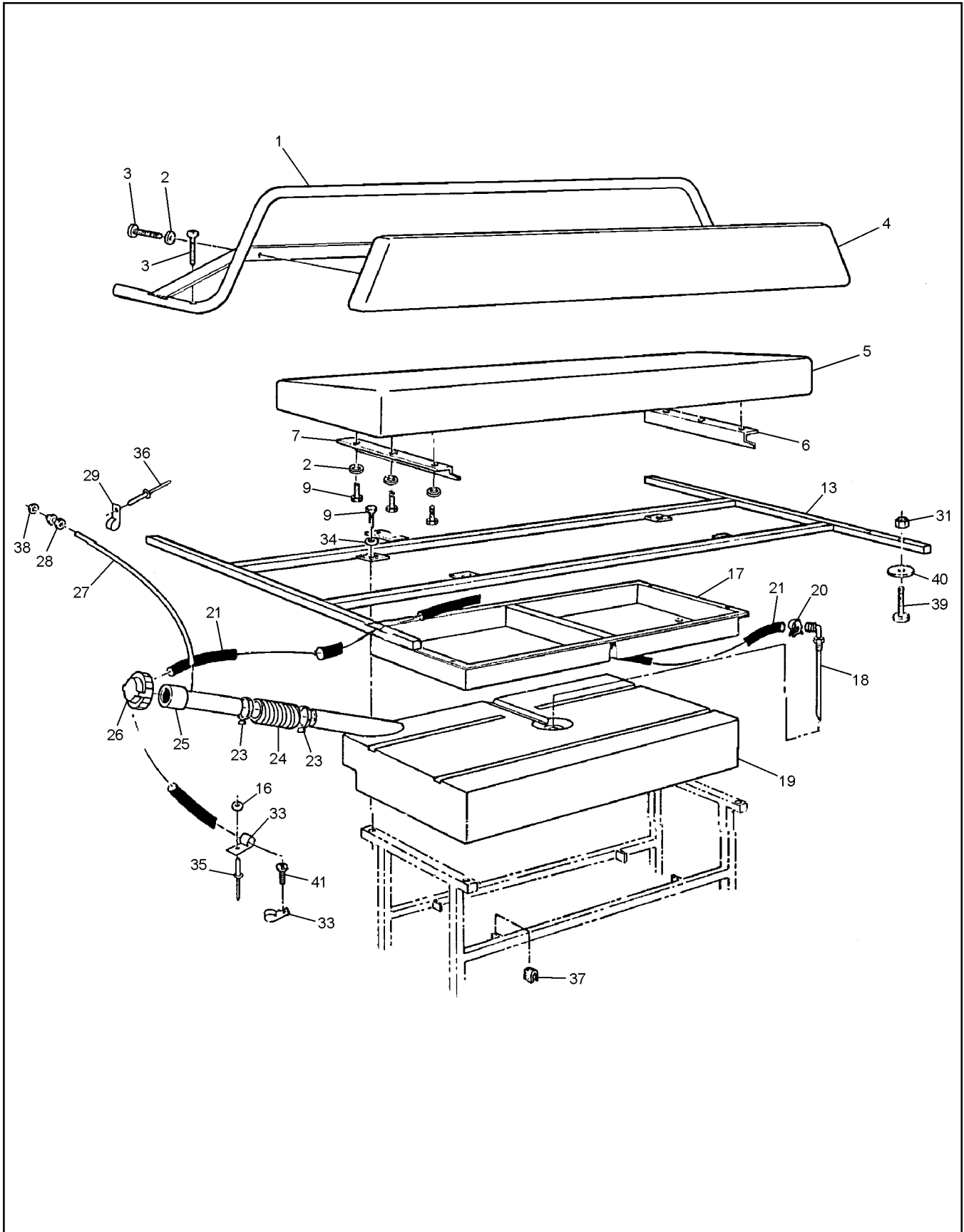
Ref.	Qty.	Part #	Description
1	1	601-32	Body + Hood, Upper -Van. Replacement, specify colour (incl. Ref 5,11,12,13,14,15 & 38)
2	1	603-92BL	Body, Lower - 6x6, Black
3	1	127-28	Plug, Nylon - Black
4	1	601-05	Bumper, Vinyl - 6x6
5	1	602-37	Hood Kit, Vanguard specify colour (incl. Ref 6 to 10 & 36c)
6	1	801-47	Duct, Intake Transition, specify colour
7a	2	127-45A	Pin, Hinge
7b	2	127-45B	Knuckle, Hinge
8a	8	103-47	HHCS 10-24 x 1/2
8b	12	120-13	Rivet - 3/16 x 5/8
9	3	126-10	Wing Stud
10	3	126-09	Grommet, Alum, #GH-7
11	1	602-24	Hood Support Assembly
12	6	120-15	Rivet - 1/8 x 7/16
13	1	601-69	Spring Plate
14	3	126-11	Spring
15	2	112-19	Screw, IHWH T/C Slot 1/4-20 x 1/2
16	1	602-29	Brace, Dash
17	1	601-08	Vinyl Trim, 84"
19	1	626-10	Hitch Kit (Opt.)
25	4	117-44	T-Nut 1/4-20
26	42	120-24	Rivet - Alum,3/32x3/8-all plates
27	76	120-09	Rivet - 3/16 x 1
28	1	601-44	Nameplate, "ARGO"
29	2	127-41	Nameplate, 6x6 Vanguard2
30	1	609-37	Firewall - Vanguard
34	1	603-02	Floor Pan, Front, specify colour
35	1	603-03	Floor Pan, Rear 6x6, specify colour
36	51	120-04	Washer, .19x.50x.08 Zinc
37	1	126-60	Vinyl Strip 1/2"x1/4"x37.5'

Ref.	Qty.	Part #	Description
38	4	120-05	Washer,.19x.50x.04 Zinc
39	4	100-16	Clip, Hitch Pin 1.625 Zinc
40	2	100-18	Plug, Drain 5/8" x 13/32"
41	1	601-03	Seat, Rear LH - 6x6
42	1	601-02	Seat, Rear RH - 6x6
43	2	603-15	Washer, Plastic
44	2	108-01	Washer, Fender 1/4 SAE Zinc
45	2	103-08	HHCS 1/4-20 x 1.00 Zinc
50	1	127-97	Plate, Caution - Keyswitch
51	1	126-65	Shifting Plate
53	1	126-67	Floor Pan Plate
54	1	126-68	Operation Plate
55	1	126-69	Fuel Plate
56	1	127-76	Plate,Capacity - Land/Water
57	1		Vehicle ID Plate
58	1		U.S. Plate, Non U.S. Argos only
59	1	127-51	Plate, Capacity - 6x6
61	1	125-41	Dash Handle (incl. 62)
62	2		Plug cap (avail. only with 61)
63	3	117-10	Locknut, Nylon #10-24 Zinc
64	1	126-88	Bumper, Rubber
65	3	103-25	PHMS #10-24 x 3/4" Zinc
66	1	602-38	Clip, Hood
67a	2	613-75	Bezel, Headlamp
67b	2	613-76	Bracket, Headlight Backing
68			See Section 9.0 Electrical System
69	8	103-24BL	OHPS T/S #6 x 1.00 Black
73	1	117-15	Nut, Fin. Hex 3/8-16 Zinc
74	1	602-27	Support, Adjustable
75	1	103-89	C/Bolt 3/8-16 x .75 Gr2 Zinc
76	1	108-06	Lockwasher 3/8
80	2	127-01	Reflector, Red
81	4	103-48	T/S Pan HD Phil #10x5/8 A Zinc
83	8	108-59	Lockwasher, #10 Int. tooth ZN



Ref.	Qty.	Part #	Description
1	1	606-60	Frame Asm - 6x6
3	64	117-29	Locknut, Nylon 3/8-16 Zinc
4	12	108-46	Washer .40x1.37x.12 Hi-Carbon
5	6	101-35	Bearing, Ball - 1.25
5a	10	101-41	Bearing, Ball - 1.0
6	66	108-15	Washer .42x.81x.05
7	22	103-88	C/Bolt 3/8-16x1.0 GR5 Zinc
8	10	605-99	Gasket, Flange - Inner
9	12	605-89	Gasket, Outer Bearing Flange
10a	16	605-63	Flange - 4-hole
10b	10	101-20	Flange Greasable - 4 Hole
11	6	102-14	Seal, Oil 1.25x1.75x0.188
12	6	102-15	Seal, Oil 1.25x1.874x0.25
13	6	605-97	Flange Assem, Outer (incl. Refs. 11 & 12)
14	24	112-39	C/Bolt 3/8-16x1.75 GR5 Zinc
16	4	112-60	SHSS 1/4x28x1/2 Cup Pt.
17	1	606-30	Idler Asm. - L4x11T 2x24T
18	1	606-31	Idler Asm. - R4x11T 2x24T
19	5x6	103-80	Stud, Wheel 7/16-20 x 1.125 #B271
21	6	810-75	Axle Assembly (incl. Ref. 19)
23	1	604-84	Frame Assembly, Battery
24	4	810-28	Sprocket, Double - 24T
25	4	606-34	Sprocket - S60x19T
26	6	112-03	SHSS 5/16-18x3/8 1/2 DOG, PL
27	2	603-22	Chain, Idler RC40-2 x 46P (incl. Ref 51)
28	4	117-64	Insert, 1/4-20
29	10	112-31	HHCS 3/8-16 x 1.0 2B GR8 Zinc
30	2	112-14	HHCS 3/8-16x.75 GR5 Zinc
31	1	108-15	Washer 3/8 SAE Zinc
32	2	103-82	HHCS 3/8-16x1.5 GR5 Zinc
33	4	112-61	C/Bolt 3/8-16x1.25 GR5 Zinc
36		127-80	Link, Half - RC60 - 1 (opt.)
43	2	603-17	Chain RC50 - 2x42P - Front (incl. Ref 53)
44	2	603-26	Chain RC50 - 2x76P - Mid (incl. Ref 53)
45	2	603-83	Chain RC60 - 1x88P - Rear (incl. Ref 53)
46	5x6	117-35	Nut, Wheel 7/16-20 Zinc
47	6	125-26	Valve, Tire
48	6	125-13	Rim - 8x7 - 5 bolt - Charcoal
49	6	126-96	Tire, Goodyear Runamuk 22x10-8
51	1x2	100-97	Con. Link, RC40-2 H.D.
52	4	100-01	Pin, Cotter 1/8 x 1.50 Zinc
53	1x4	100-96	Con. Link, RC50-2 H.D.
54	1x2	603-84	Con. Link, RC60-1 STD.
55	4	127-65	Spring Torsion - 1.16x0.35
56	4	606-39	Slider Block - 1/2" Shaft
57	4	606-35	Tensioner Asm, Chain
58	4	127-64	Spring, Torsion - .76 x 1.9
59	2	606-41	Slide, Chain - 2"
60	2	606-42	Slide, Chain - 1.25"
61	6	603-95	Spring Clip - RC 50 Closed
62	4	603-96	Spring Clip - RC 60 Closed

8.0 Fuel System & Seat Assembly Vanguard Parts Manual

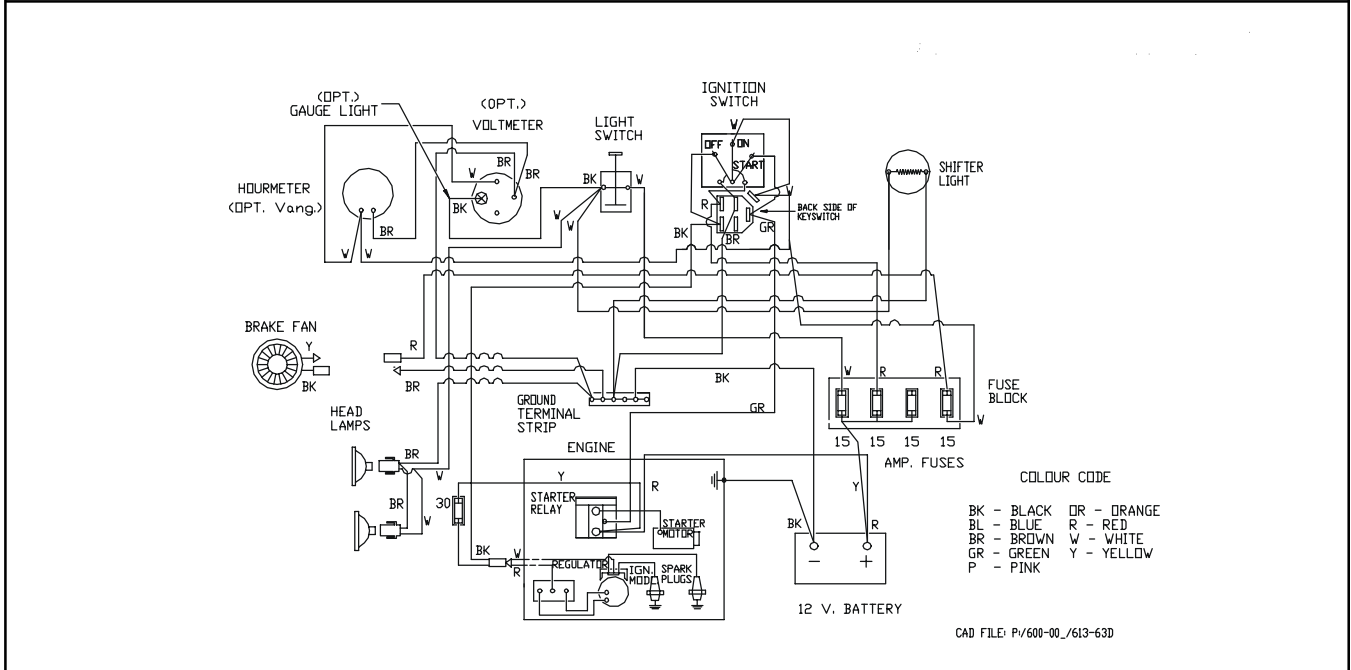
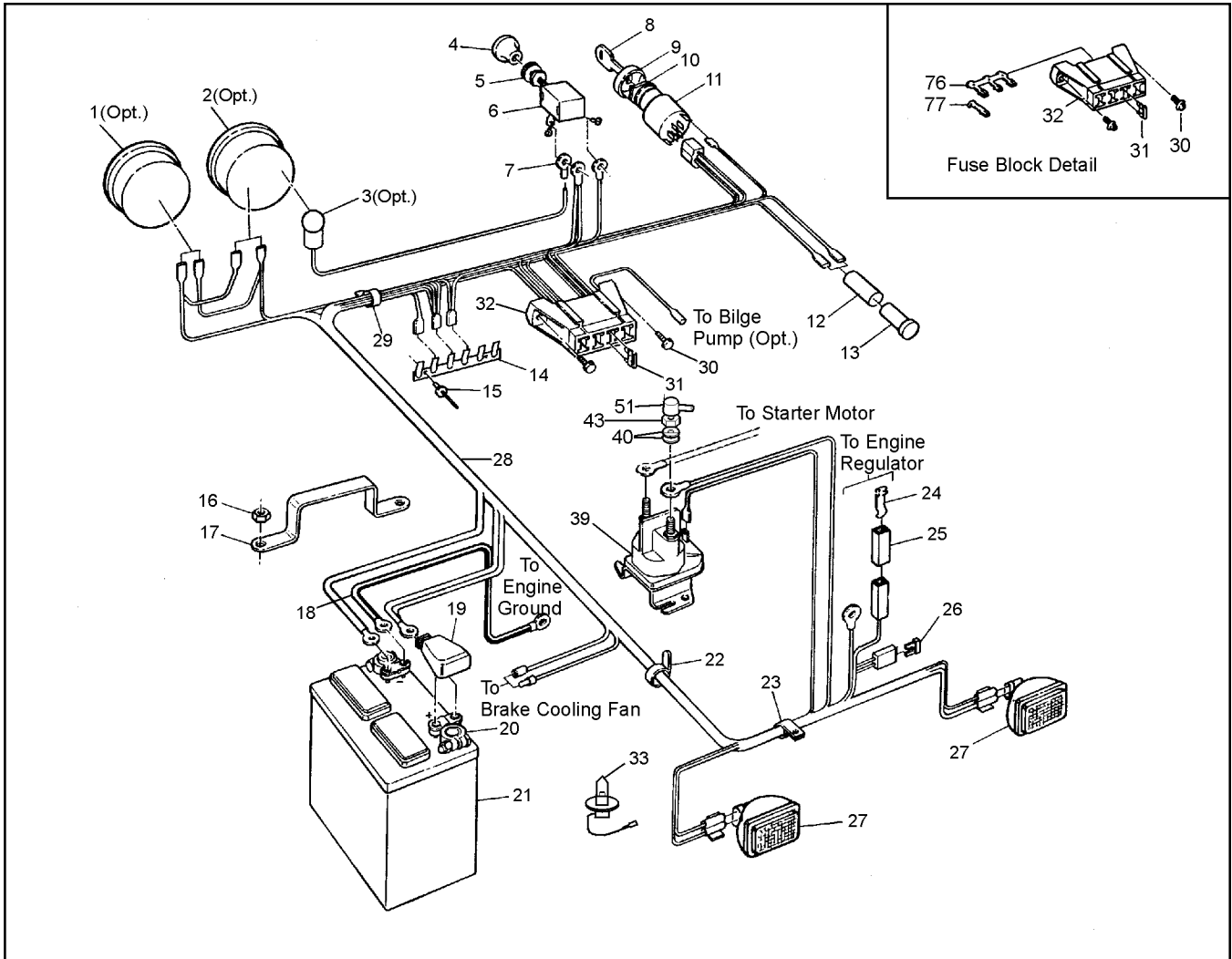


Vanguard Parts Manual 8.0 Fuel System & Seat Assembly

Ref.	Qty.	Part #	Description
1	1	803-50	Handrail Assembly
2	10	108-03	Lockwasher 1/4
3	6	112-41	PHMS, QUADREX 1/4-20x1.25 Zinc
4	1	608-39	Back Pad Assembly
5	1	608-43	Seat, Bench
6	1	608-30	Angle - Left
7	1	608-31	Angle - Right
9	10	112-04	HHCS 1/4-20x3/4 Gr2 Zinc
13	1	804-17	Frame Assembly, Seat
16	3	120-04	Washer, .195x.50x.08 Zinc
17	1	608-32	Tool Box
18	1	608-28	Pickup Assembly, Fuel (see Ref. 19)
19	1	608-24	Tank, Fuel 32 litre (incl. Ref. 18)
20	2	112-79	Clamp, Hose, 1/2" - Black
21	1	608-42	Fuel Hose, 110"
23	2	100-12	Clamp, Gear 2.25" HF36
24	1	125-94	Hose, Filler
25	1	126-47	Fuel Neck Assembly
26	1	126-46	Cap, Fuel
27	1	126-77	Hose, Vent 93" 6x6
28	1	126-50	Male Connector, 1/4"
29	4	126-94	Clamp, Nylon Wire, 1/4" ID
31	12	117-10	Locknut, Nylon #10-24 Zinc
33	4	126-93	Clamp, Nylon Wire, 1/2" ID
34	4	108-08	Washer 1/4 SAE Zinc
35	3	120-09	Rivet - 3/16 x 1
36	6	120-13	Rivet - 3/16 x 5/8
37	4	702-06	Foam Cushion
38	1	117-54	Locking PAL Nut, 1/2-20 Zinc
39	12	112-07	RHMS, 10-24 x 1.25 Zinc
40	12	108-42	Washer, .062 x 7/32 x 1.00 Zinc
41	1	103-48	T/S Pan HD Phil #10-5/8 A Zinc

9.0 Electrical System

Vanguard Parts Manual



Ref.	Qty.	Part #	Description
1	1	632-15	Hourmeter #56458-10 (#876EM)(opt.)
2	1	633-10	Voltmeter #07583-15 (#830EM)(opt.)
3	2	634-10	Light Kit, #06215-00 5/8" dia, see Ref. 32 & 33 (opt.)
4	1	126-76	Knob, Light
5	1	108-55	Lockwasher 7/16 Ext. Tooth
6	1	100-62	Switch, Light
7	1	118-30	Terminal, Eye - #10
8	2	127-108	Key,molded
9	1	127-107	Cover, nut
10	1	127-106	Nut, flanged - plastic
11	1	127-105	Switch - Egnition
12	1	118-48	Heat Shrink
13	1	634-08	Light, Indicator
14	1	613-37	Terminal Strip, Ground
15	2	120-15	Rivet 1/8 x 7/16
16	2	117-21	Locknut, Nylon 5/16-18 Zinc
17	1	604-52	Bracket, Battery Retaining
18	1	613-14	Ground Wire
19	1	127-55	Cap, Battery Terminal - Red
20	2	127-56	Terminal, Battery Post
21	1	127-54	Battery
22	8	100-64	Tie Wrap - 5.5" - Black
23	10	126-93	Clamp, Nylon Wire - 1/2" ID
24	1	118-56	Contact
25	1	118-57	Connector Housing
26	1	118-51	Fuse, 30A 2-prong (AT030)
27	2	613-69	Headlamp, Halogen (incl. Ref. 33)
28	1	613-72	Wire Harness
29	1	127-24	Clamp, Nylon - 1" ID
30	2	112-51	Screw, IHWH T/C #10-24x5/8
31	4	118-49	Fuse, 15 A 2-prong (AT015)
32	1	118-60	Block Fuse - 8 position (4 fuse)
33	2	127-46	Bulb, Headlight - Halogen
39	1	613-68	Starter Relay
40	5	108-03	Lockwasher 1/4 Zinc
43	2	117-20	Nut, Fin. Hex 1/4-20 Zinc
51	1	613-45	Insulator, Terminal (6 ga.)
76	1	118-63	Terminal, Fuse - Triple
77	5	118-62	Terminal, Fuse - Single

ARGO Products Manufactured by:

Ontario Drive & Gear Limited

P.O. Box 280, 220 Bergey Court

New Hamburg, Ontario

Canada N0B 2G0

Phone: (519) 662-2840

Fax: (519) 662-2421

ODG *Dedicated to quality and performance*