

Argo
8x8 Avenger

Argo
Avenger EFI



ARGO

AVENGER & AVENGER EFI PARTS MANUAL

From Serial # ...25511

Foreword

ODG has prepared this parts manual for the AVENGER model to assist both qualified mechanics and vehicle owners in ordering correct, quality replacement ARGO parts. For the most current parts manual visit our website at www.argoatv.com.

Proper and regular service, and replacing old, worn or broken parts with the correct ARGO replacement parts, are both essential to prolonging the life of the ARGO. Please refer to this parts manual and/or our website www.argoatv.com before ordering any replacement part.

All information contained in this AVENGER Parts Manual is based on the latest product specification available at time of printing. If your AVENGER differs from the specifications contained in this manual, check our website www.argoatv.com for the most current information.

ODG reserves the right to alter specifications on the AVENGER model at any time, without obligation or prior notification.

Reproduction of this AVENGER Parts Manual, in whole or in part, is prohibited without prior written permission from Ontario Drive & Gear Limited.

Vehicle Identification

AVENGER - Serial Nos. ...25511

Explanation of Parts Manual Format

- Ref** - Reference number between assembly diagram and component parts list
- Part No.** - Argo replacement part number for identification and re-ordering
- Description** - Part description for identification and re-ordering
- Qty** - Indicates the quantity of a part used in an assembly

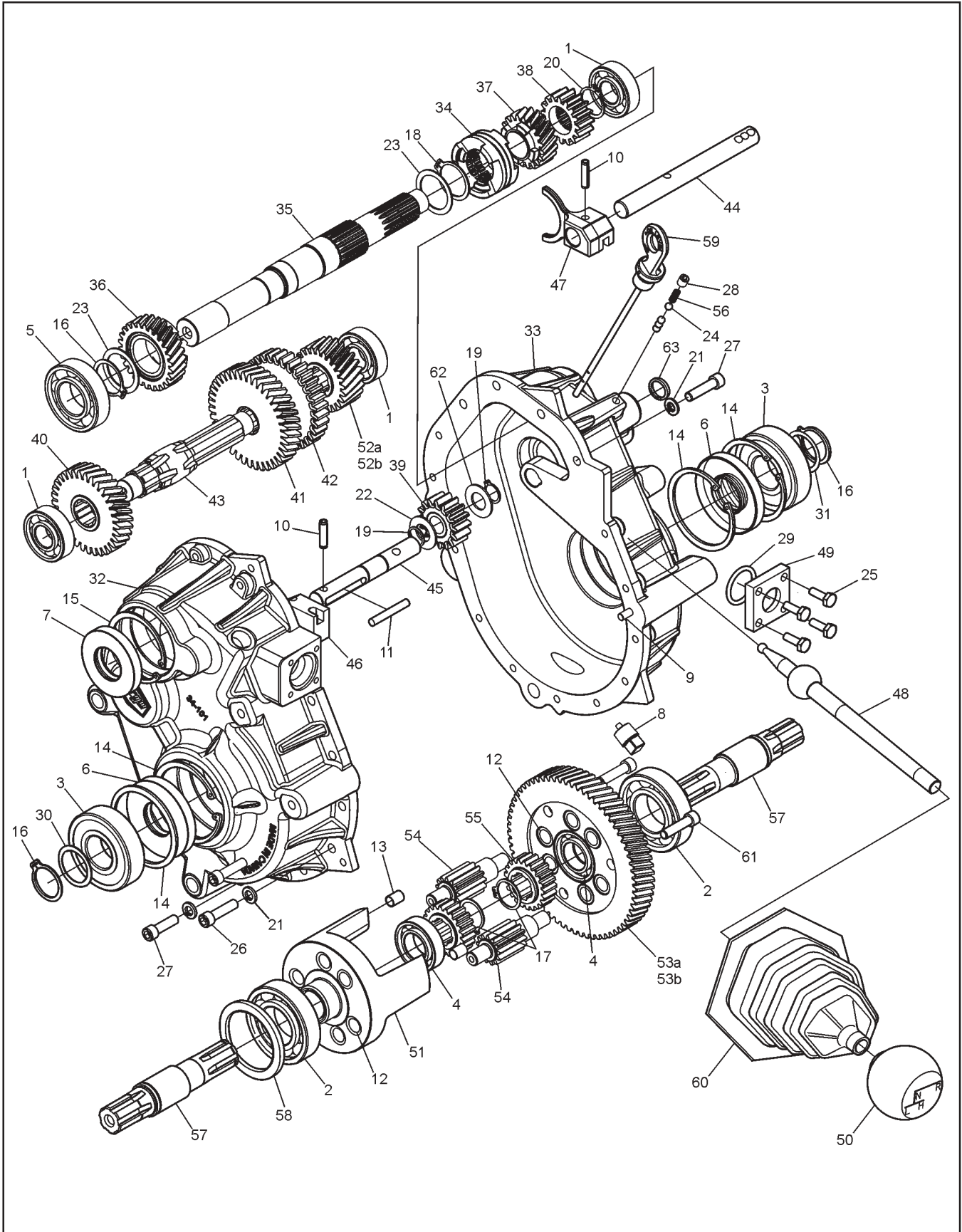


Using the Parts Manual

1. Find the major vehicle assembly in the Table of Contents on this page, and turn to that section.
2. Locate the part in the illustration that you wish to order.
3. Refer to the parts list in that section.
4. Find the correct part number (Part No.), part description (Description) and correct quantity (Qty).
5. Use *only* this information to order ARGO replacement parts. *DO NOT* attempt to order a replacement part by reference number or page number.

Table of Contents

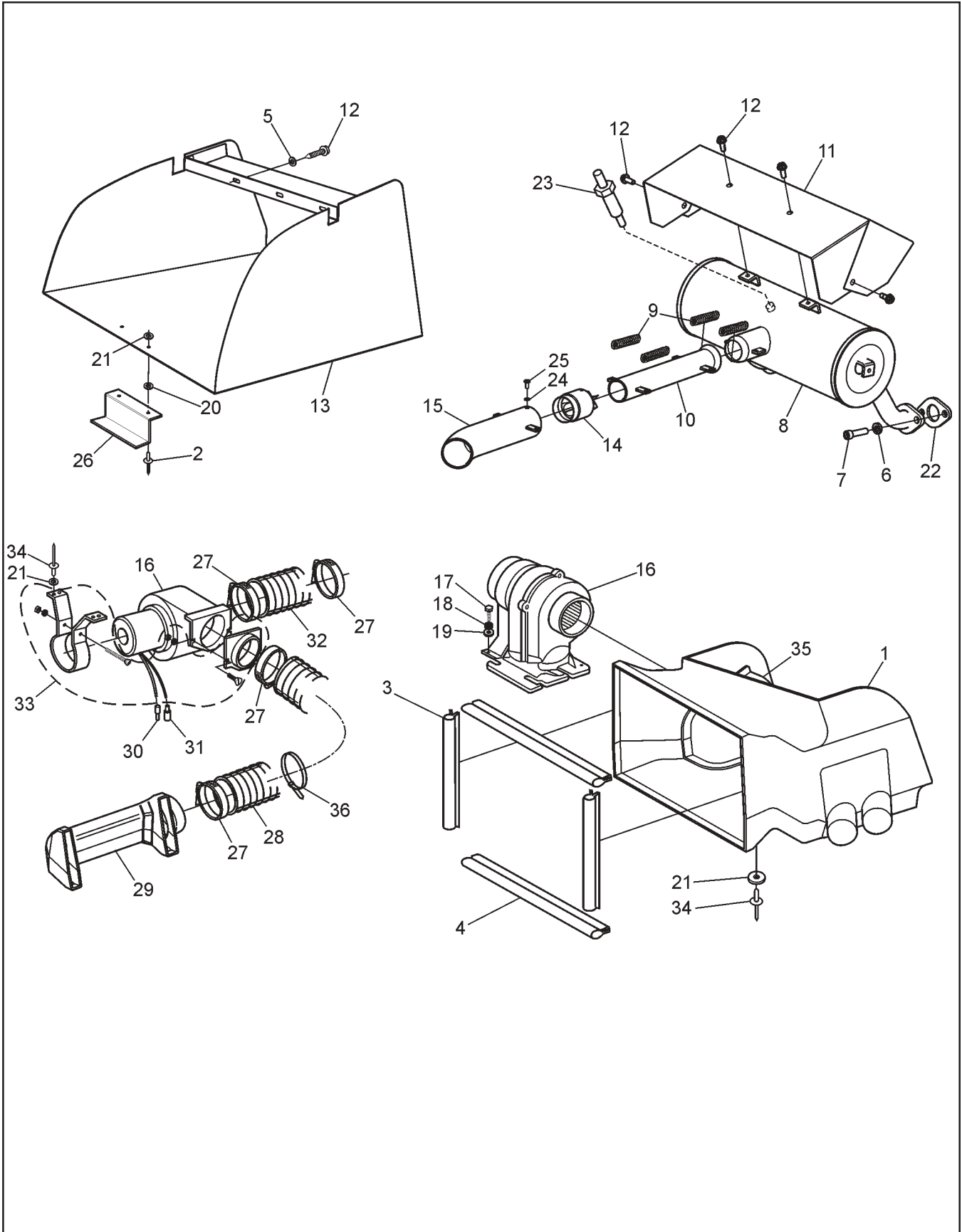
Foreword	i
Vehicle Identification	i
Using the Parts Manual	ii
1.0 Transmission	1
2.0 Intake and Exhaust System	3
3.0 Clutch System	5
4.0 Power Pack Assembly	7
5.0 Steering & Brake System	9
6.0 CE Kit - 850-70 (Opt.)	11
7.0 Vehicle Body & Firewall	13
8.0 Frame & Drive System	15
9.0 Fuel System & Seat Assembly	17
10.0 Electrical System	19



Avenger Parts Manual

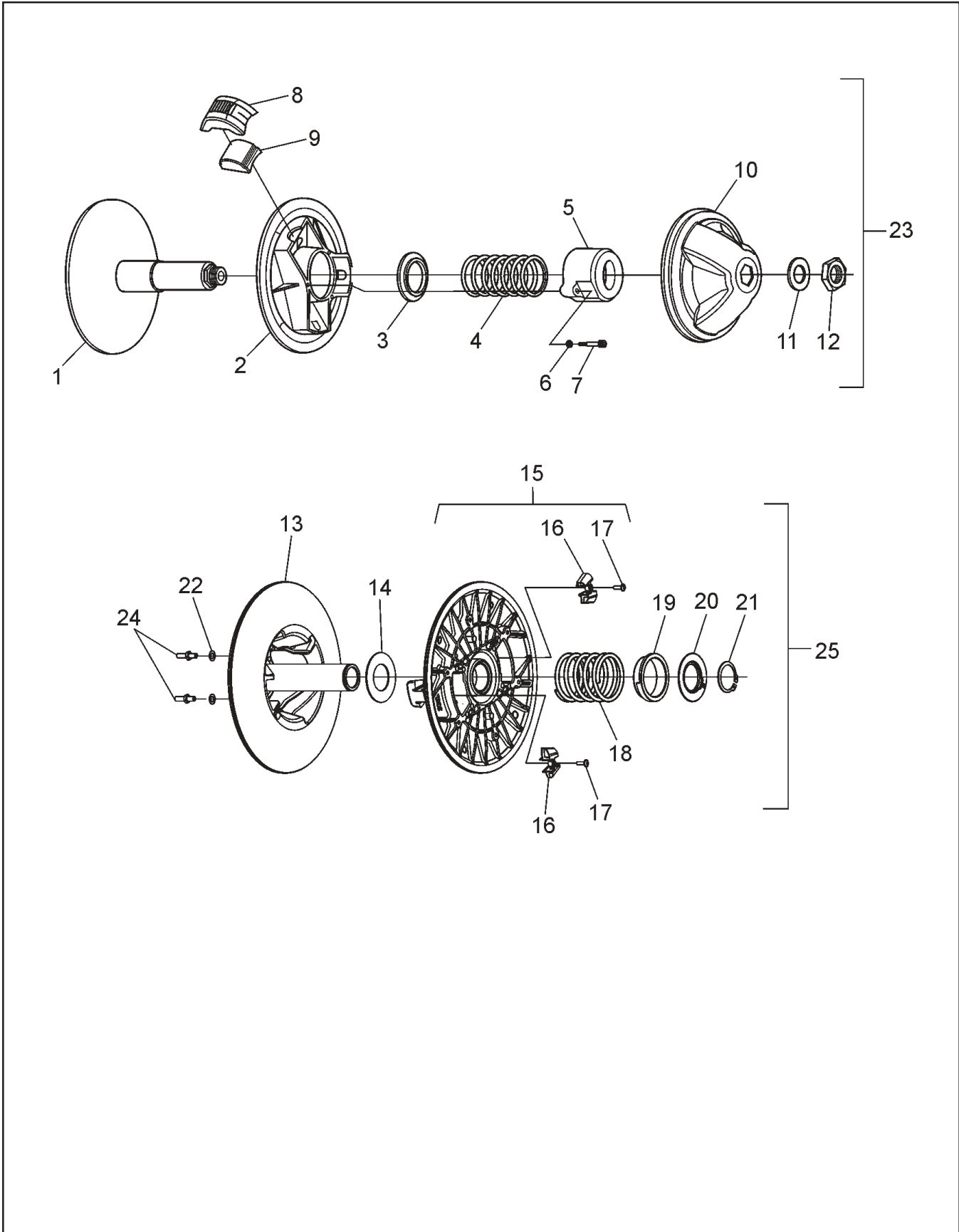
1.0 Transmission

Ref.	Qty.	Part #	Description	Ref.	Qty.	Part #	Description
	1	34-100	Transmission Assembly	40	1	34-109	Gear, Helical - HI 12DP 33T
	1	34-100-3.3	Transmission Assembly	41	1	34-110	Gear, Helical - LOW 12DP 39T
1	3	101-01	Bearing, Ball 6204Z-C3	42	1	34-111	Gear, Reverse - 10DP 33T
2	2	101-03	Bearing, Ball 6207-C3	43	1	34-112	Shaft, Spline
3	2	101-05	Bearing, Ball 6306LLU-C3/2A	44	1	34-113	Shaft, Shift - Forward
4	2	101-15	Bearing, Ball 6005-C3	45	1	34-114	Shaft, Shift - Reverse
5	1	101-16	Bearing, Ball 6206-C3	46	1	34-115	Block, Shift
6	2	102-03	Seal,Oil WBS 30x72x10 NB D/LIP	47	1	34-116	Fork, Shift
7	1	102-05	Seal,Oil WBS 30x62x10 NB D/LIP	48	1	34-117	Lever, Shift
8	1	103-02	Plug, Magnetic 3/8-18NPT SQ.HD	49	1	34-118	Plate, Shifter
9	2	104-03	Pin, Dowel 1/4x7/8	50	1	34-121	Knob, Shift - w/Argo Logo
10	2	104-39	Pin, Spring - 1/4 x 1.0	51	1	34-122	Cage, Differential
11	1	104-40	Pin, Dowel - 1/4 x 1.75	52a	1	34-123	Pinion, Helical - 25T - 2.6
12	12	105-03	Bushing, Oilite - 1/2x3/4	52b	1	34-125	Pinion, Helical - 21T - 3.3
13	3	105-23	Bushing, Dowel - .312 x .5	53a	1	34-124	Gear Plate - 66T - 2.6
14	4	106-03	Retaining Ring HO-281PA	53b	1	34-126	Gear Plate - 70T - 3.3
15	1	106-05	Retaining Ring HO-244-PA	54	6	34-13	Gear, Planet - 12T
16	3	107-02	Retaining Ring SH-0118-PA	55	2	34-14	Gear, Sun - 21T
17	2	107-04	Retaining Ring SH-0098-PA	56	2	34-32	Spring, Comp. 0.22x.50
18	1	107-10	Retaining Ring SH-0125-PA	57	2	34-98	Shaft, Output - Splined
19	2	107-11	Retaining Ring	58	1	114-01	Washer, Shim 2.25 x 2.81 x .02
20	1	107-12	Retaining Ring SH-0100-PA	59	1	CE-035	Dipstick - with Breather - 190mm
21	15	108-05	Lockwasher 5/16 Split Ring Zn	60	1	609-38	Boot, Shifter
22	1	108-78	Washer, Thrust	61	3	112-64	SHCS, 5/16-18 x 1.25
23	2	108-79	Washer, Thrust	62	1	108-81	Washer, Retaining Thrust
24	5	109-05	Ball, Steel 6mm 62-67 Rc	63	1	113-16	O-Ring #AS568-014-70BN
25	4	112-04	HHCS 1/4-20x3/4 Gr2 Zn				5/8"OD x 1/2"ID x 1/16" Thk
26	13	112-143	SHCS 5/16 x 1.25 Zn				
27	2	112-144	SHCS 5/16 x 1.0 Zn				
28	1	112-145	SHSS 5/16 - 18 X 3/8				
29	1	113-11	O-Ring #AS568-216-70BN				
30	1	114-04	Washer, Shim 1.19x1.50x.04				
31	1	114-05	Washer, Shim 1.19x1.50x.02				
32	1	34-101	Housing, Transmission - L				
33	1	34-102	Housing, Transmission - R				
34	1	34-127	Clutch, Dog				
35	1	34-104	Shaft, Input - 19/15T Spline				
36	1	34-128	Pinion, Helical - HI 12DP 26T				
37	1	34-129	Pinion, Helical - LO 12DP 20T				
38	1	34-107	Pinion, Reverse - 10DP 16T				
39	1	34-108	Gear, Idler - Rev - 10DP 16T				



Ref.	Qty.	Part #	Description
1	1	809-03	Duct, Intake
2	2	120-13	Rivet, 3/16 x 5/8 - Black
3	2	809-05	Seal, Radiator - 10.25" LG
4	2	809-06	Seal, Radiator - 16.25" LG
5	3	108-01	Washer, Fender 1/4 BS x1.25 OD
6	4	108-05	Lockwasher 5/16 Split Ring Zn
7	4	117-73	Nut, M8x1.25 Zn
8	1	607-119	Muffler Ass'y, Avenger 1.25
8a	1	607-121	Muffler Ass'y, Avenger EFI
9	4	126-57	Spring, Extension- 7/16 x 2.14
10	1	607-125	Tube Ass'y, Muffler, Flared
11	1	807-85	Shield, Heat - Muffler
11a	1	607-123	Shield, Heat - Muffler - EFI
12	7	112-19	Screw, IHWH T/C Slot 1/4-20 x 1/2
13	1	607-109	Duct, Exhaust
14	1	607-126	Spark Arrester, 1.75 Dia.
15	1	607-117	Pipe, Tail - Asm
16	1	125-91	Blower Fan
17	4	103-47	HHCS, #10-24 x 1/2
18	4	120-05	Washer, .19 x .50 x .04
19	4	108-59	Lockwasher #10 Int. Tooth
20	2	125-58	Washer, Fibre - W-77F
21	14	120-04	Washer, .19 x .50 x .08 Zn
22	2	24 041 49	Gasket, Exhaust Manifold
23	1		See Section 4.0 Power Pack Assembly
24	1	108-77	Lockwasher, #8 External Tooth
25	1	112-43	Screw IHWH #8 x 3/8
26	1	707-44	Support, Exhaust Duct - Avenger
27	4	125-35	Clamp, Gear 3.50" HF-52
28	1	127-139	Hose, Brake Fan Discharge
29	1	127-134	Duct, Brake Cooling
30	1	118-02	Terminal, Male #76-1251
31	1	118-03	Terminal, Female #76-1289
32	1	127-140	Hose, Brake Fan Inlet
33		125-92	Adpt. & Mounting Kit - includes the following:
	1		Mounting Bracket
	1		Nut, #10-32
	1		Lockwasher, 3/16"
	1		Screw, #10-32x2"
	2		Nut, 1/4-20
	2		Lockwasher, 1/4"
	2		Screw, 1/4-20x5/8"
	1		Adaptor, 3" dia.
34	13	120-09	Rivet, 3/16 x 1.0 Black
35	1	809-04	Shroud, Intake Duct
36	1	100-102	Tie Wrap, 14" - White

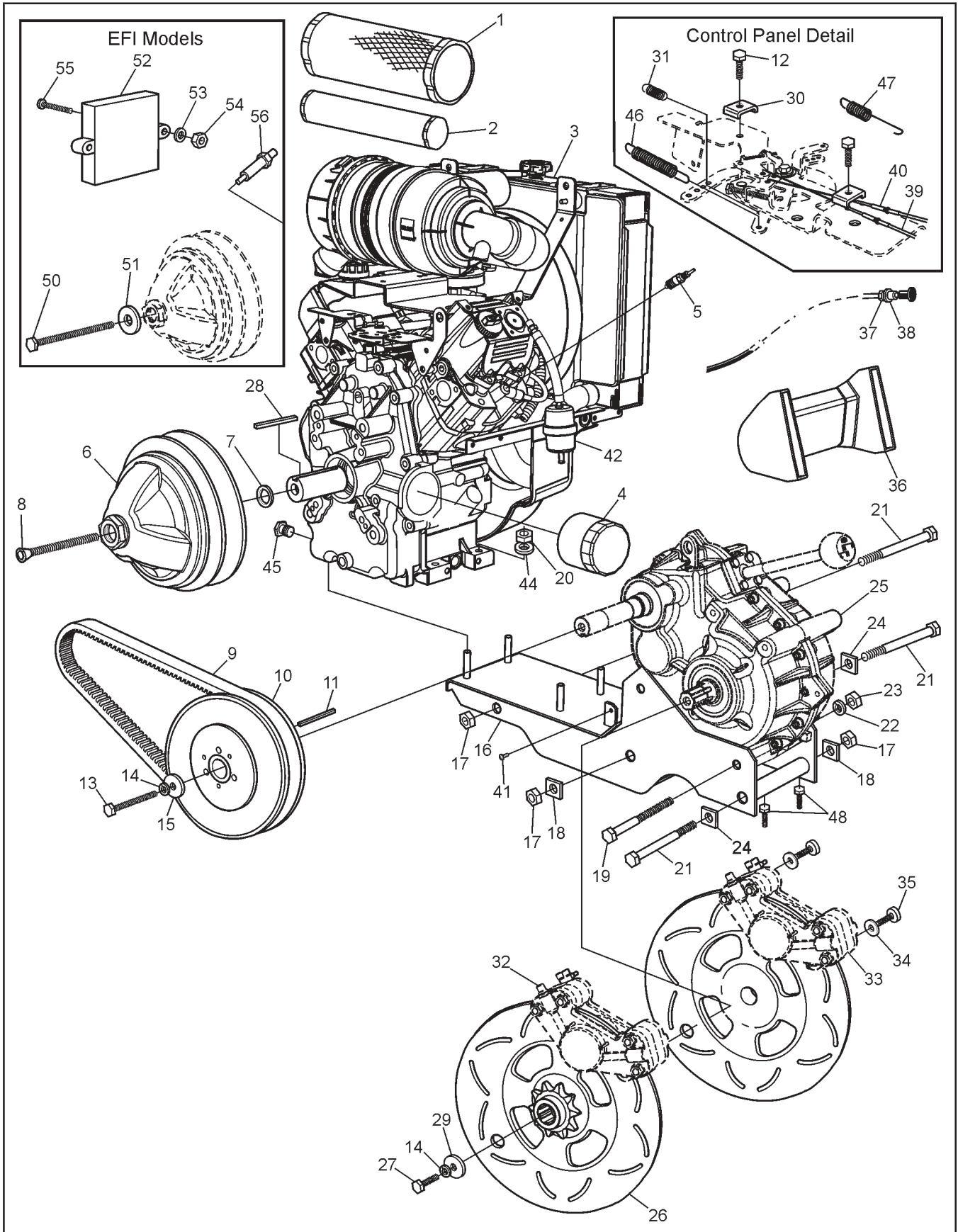
3.0 Clutch System



Ref.	Qty.	Part #	Description
1	1	0405-0075	Flange, Fixed
2	1	0410-0026	Flange, Sliding
3	1	0150-1014	Spring Guide Washer
4	1	0451-1114	Spring
5	1	0440-0005	Spring Cover
6	3	0080-0167	Lockwasher
7	3	0080-0021	Screw, Cap
8	3	0130-3009	Block
9	3	0135-3065	Weight (275gr)
	3	0135-3062	Weight (240gr) - EFI Model
10	1	0115-0047	Cap
11	1	0080-0153	Washer, Zn
12	1	0080-0100	Nut
13	1	5905-0003	Flange, Fixed
14	1	0080-0164	Washer, Shim
15	1	5910-0002	Flange, Sliding
16	3	5930-3001	Cam Shoe
17	2	0080-0031	Screw
18	1	5951-1009	Spring
19	1	5950-3003	Spring Protector
20	1	5950-3002	Spring Support
21	1	0080-0216	Retaining Ring, Outside
22	2	0080-0167	Lockwasher
23	1	127-157	Clutch, Driver - EFI Models
	1	127-135	Clutch, Driver
24	2	0080-0035	Screw & Nut Ass'y
25	1	127-156	Clutch, Driven - INVANCE

4.0 Power Pack Assembly

Avenger Parts Manual



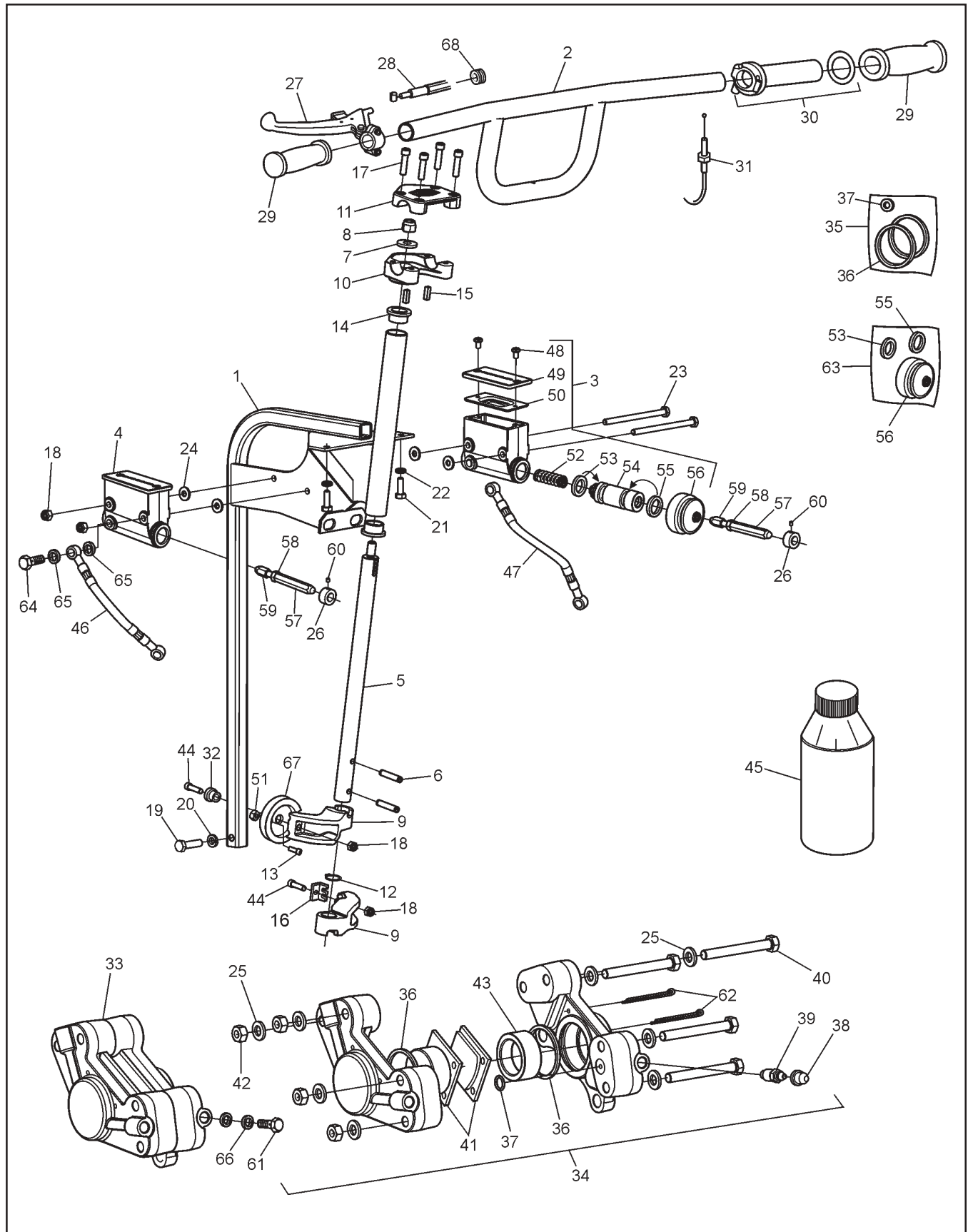
Avenger Parts Manual

4.0 Power Pack Assembly

Ref.	Qty.	Part #	Description	Ref.	Qty.	Part #	Description
1	1	25 083 01	Filter, Air	34	4	108-23	Washer .42 x .81 x .06 Gr8 Zn
2	1	25 083 04	Element, Inner	35	4	103-41	SHCS 3/8-16 x 1.25 Zn
3	1	LH690-0014	Kohler 26 HP Engine	36			See Section 2.0 Intake & Exhaust
3a	1	LH775	Kohler 31 HP Engine, EFI	37	1	117-68	Nut, Jam 3/8-24 UNF Zn
4	1	12 050 01	Filter, Oil	38	1	108-32	Lockwasher 3/8 Int. Tooth
5		66 132 01	Sparkplug	39	1	612-92	Cable Ass'y, Choke
6			See Section 3.0 Clutch System	40	1	612-116	Cable Asm., Throttle – Avenger
7	1	108-84	Washer, Engine Clutch	41	2	103-71	Screw, IHWH T/C 1/4-20 x 1.25 Zn
8	1	112-152	FHSC, 7/16-20 x 4.0" LG	42	1	125-64	Filter, Fuel
9	1	127-137	Drive Belt - 10.5" Cen. Dist	44	4	108-26	Washer, .43 x 1.02 x .09 Zn
10			See Section 3.0 Clutch System	45		112-156	Plug, Oil Drain 3/8-18NPT Hex
11	1	110-03	Key 1/4 x 3/16 x 2.375 RC46	46	1	24 089 46	Spring, Governer (Kohler #)
12	1	M-545016	Screw, Clamp Cable (Kohler #)	47	1	127-49	Spring, Extension
13	1	112-164	HHCS 3/8-16 x 3.5 Gr5 Zn	48	2	103-53	HHCS 3/8-16 x 3.0 Full Thread
14	3	108-06	Lockwasher 3/8 Split Ring Zn	50	1	112-160	HHCS, 7/16-20 x 4.50" Lg
15	1	108-46	Washer .40 x 1.37 x 1.2 Hi- Carbon	51	1	108-58	Washer, .47 x 1.37 x 12 Hi-carbon
16	1	806-35	Frame Ass'y - Power Pack	52	1	66 584 05	ECU (c/w engine)
17	3	117-83	Locknut, Stover 5/8-11 Zn	53	2	108-42	Washer, .21 x 1.0 x .06
18	2	811-09	Washer, Square - .64 ID	54	2	117-10	Locknut, 10-24 N/I
19	2	103-20	HHCS 1/2-13 x 6.5 Gr5 Zn	55	2	112-161	PHMS, 10-24 x 2.5
20	4	117-29	Locknut, Nylon 3/8-16 Zn	56	1	24 418 05	02 Sensor
21	3	112-58	HHCS 5/8-11 x 7.5 Gr5 Zn				
22	2	108-07	Lockwasher 1/2 Split Ring Zn				
23	2	117-06	Nut, Fin Hex 1/2-13 Zn				
24	2	811-15	Washer, Square Lock .64 ID				
25			See Section 1.0 Transmission				
26	2	606-74	Disc, Brake-Splined #60-10T				
27	2	103-18	HHCS 3/8-24 x 1.25 Gr5 Zn				
28	1	110-18	Key 1/4 x 1/4 x 1.75				
29	2	108-18	Washer .40 x 1.37 x .12 Zn				
30	1	12 237 01	Clamp, Cable (Kohler #)				
31	1	24 089 51	Spring, Throttle (Kohler #)				
32			See Section 5.0 Steering & Brake System				
33			See Section 5.0 Steering & Brake System				

5.0 Steering & Brake System

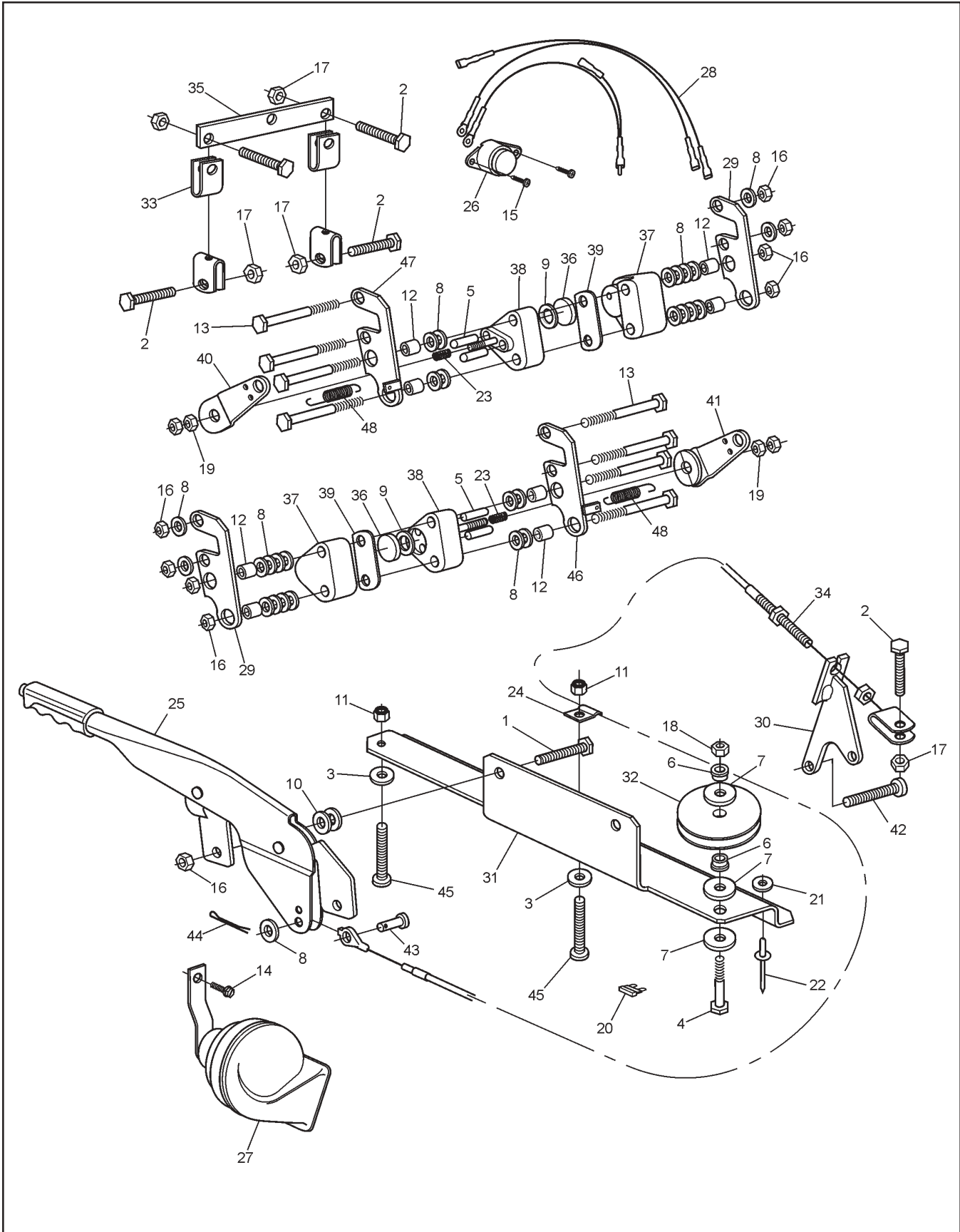
Avenger Parts Manual



Avenger Parts Manual

5.0 Steering & Brake System

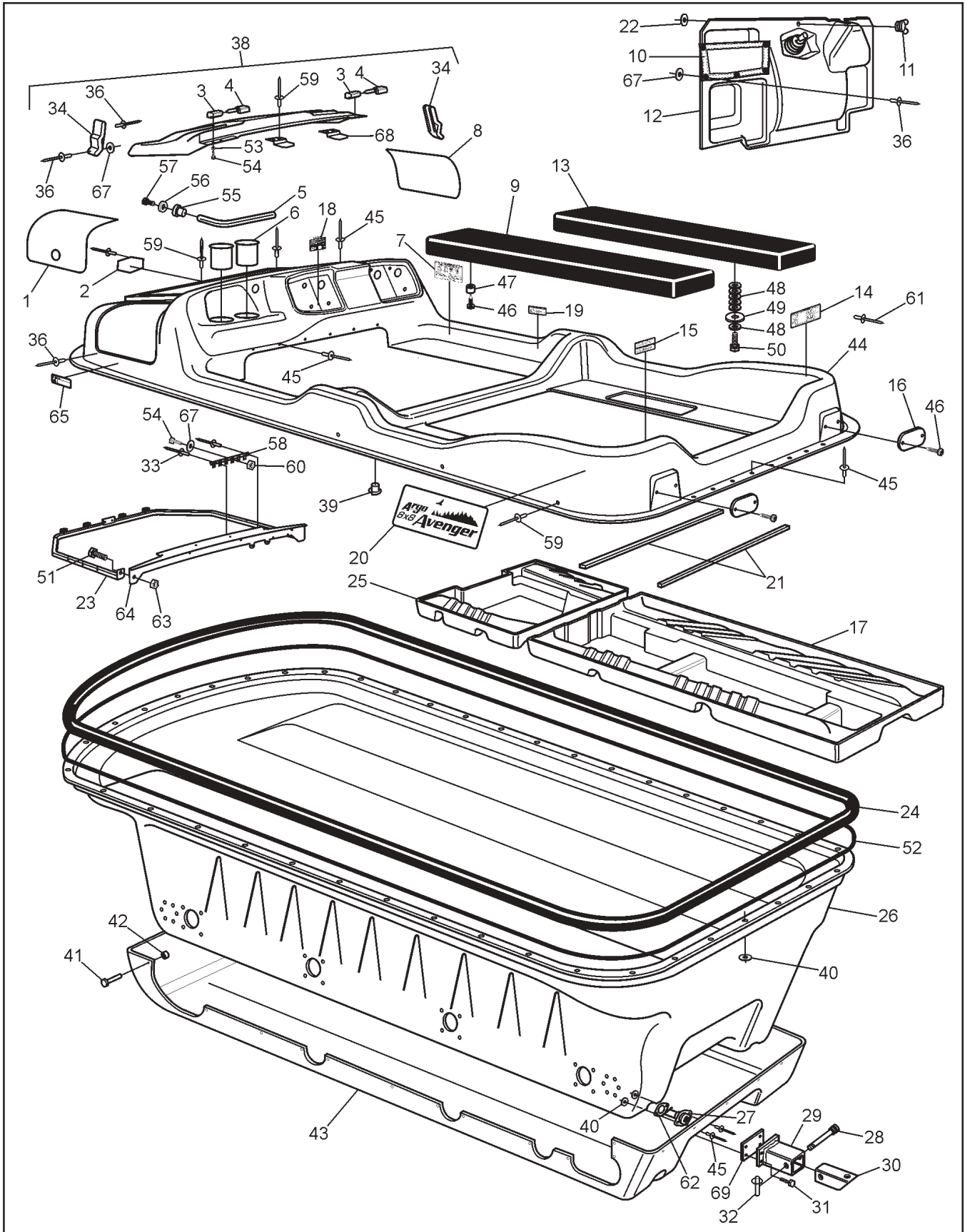
Ref.	Qty.	Part #	Description	Ref.	Qty.	Part #	Description
1	1	612-123	Frame Assembly, Steering Column	42	2x4	117-03	Nut, Fin Hex 5/16-18 Zn
2	1	612-107	Handlebar Assembly	43	2x2	168-01	Piston, Knott Caliper
3	1	165-08	Master Cylinder, Grimeca - R	44	2	112-159	BHCS, 1/4-20 x 1.0, Plated
4	1	165-07	Master Cylinder, Grimeca - L	45		126-19	Fluid, Brake-Silicon
5	1	612-128	Shaft, Steering - Avenger				Dot 5 - .35L
6	2	104-42	Pin, Spring 1/4 x 1.5"	46	1	163-03	Hose Asm, Hydraulic - Left - Avenger
7	1	108-47	Washer, .39 x .94 x .13 Zn Di-chr	47	1	163-04	Hose Asm, Hydraulic - Right - Avenger
8	1	117-29	Locknut, Nylon 3/8-16 Zn	48	2x2	160-42	Screw, FHMS
9	2	612-124	Arm, Steering				M5 x 0,8 x 6mm
10	1	612-106	Clamp, Lower Handlebar	49	2x1	168-08	Cover
11	1	612-105	Clamp, Upper Handlebar	50	2x1	168-09	Cover, Rubber
12	1	106-07	Ring, Retaining SH-0075PA	51	1	117-10	Locknut, 10-24 N/I Zn
13	1	160-46	SHCS, #10-24 x 3/8"	52	2x1	162-08	Spring, Comp. 17.3 x 49.3mm
14	2	105-16	Bushing, Oilite - 3/4 x 1/2	53	2x1		Seal, Primary, 19mm (See Ref. 63)
15	2	110-17	Key, 3/16 x 3/16 x .625	54	2x1	168-10	Piston 19mm dia.
16	1	128-24	Retainer, Handbrake Cable	55	2x1		Seal, Secondary, 19mm (See Ref. 63)
17	4	112-47	SHCS, 1/4-20 x 1.0 Zn	56	2x1		Boot, Rubber (See Ref. 63)
18	4	117-27	Locknut, Nylon 1/4-20 Zn	57	2	812-30	Pin, Female
19	1	103-38	HHCS 5/16-18 x 1.25 Gr5 Zn	58	2	117-03	Nut, Fin Hex 1/4-20 Zn
20	1	108-05	Lockwasher 5/16 Split-Ring Zn	59	2	812-31	Fin, Male
21	2	112-04	HHCS 1/4-20 x 3/4 Gr2 Zn	60	2	112-02	SHSS 10-24x1/4 Knurl Cup PT, PL
22	2	108-03	Lockwasher 1/4 Split Ring Zn	61	2	160-45	Bolt, Banjo
23	2	103-66	HHCS, 1/4-20 x 4.0 Gr5 Zn	62	2x2	168-07	Pin, Cotter 1/8 x 3.00 Zn
24	4	108-08	Washer, .28 x .62 x .04 Zn	63	2x1	161-25	O-Ring Kit - Master Cylinder - Grimeca (incl. Ref. 53, 55 & 56)
25	2x8	108-24	Washer, .34 x .70 x .06 Zn	64	2	160-44	Bolt, Banjo - M10 x 1,0 x 21,0
26	2	812-17	Collar	65	4	160-01	Washer, Copper - 1,5 x 10,0 x 14,0
27	1	128-17	Lever Assembly, Handbrake, Spring	66	4	160-04	Washer, Copper 2.3 x 10.0 x 16.0
28	1	128-21	Cable Assembly, Handbrake	67	1	165-18	Pulley, Handbrake Cable
29	2	127-35	Grip, Molded	68	1	125-84	Grommet, Rubber
30	1	127-81	Throttle Twist Grip				
31	1	612-116	Cable Asm., Throttle - Avenger				
32	1	105-25	Bushing, Flange Oilite FF-310				
33	1	166-10	Caliper, Hydraulic Brake - L w/o pads				
34	1	166-11	Caliper, Hydraulic Brake - R w/o pads				
35	2	161-05	O-ring Kit, Knott Caliper				
36	2		Seal, Piston				
37	2		Seal, Rubber				
38	2x1	168-20	Plug, Rubber				
39	2x1	168-02	Screw, Bleeding, Knott Caliper				
40	2x4	112-154	SHCS, 5/16-18 x 2.75 Zn				
41	1	170-03	Pad Set (4), Brake - Non-Asbestos				



Ref.	Qty.	Part #	Description
1	2	103-06	HHCS 5/16-18x1.0 Gr5 Zn
2	5	103-08	HHCS 1/4-20x1.0 Zn
3	2	108-42	Washer .21x1.0x.06 Zn
4	1	103-82	HHCS 3/8-16x1.5 Gr5 Zn
5	4	104-41	Pin, Rounded Dowel 5/16x1
6	2	105-18	Bushing, Oilite - 3/8x1/4
7	3	108-15	Washer .42 x .81 x .05 Zn
8	32	108-24	Washer .34x.70x.06 Zn
9	2	108-35	Washer .53x1.06x.09 Zn
10	4	108-47	Washer .39x.94x.13 Zn Di-Chro
11	2	117-10	Locknut, 10-24 N/I Zn
12	8	108-71	Spacer-5/16 IDx7/16 ODx13/32 L
13	8	112-132	HHCS 5/16-18 x 3.25 Gr5 Zn
14	1	112-19	Screw,IHWH T/C Slot 1/4-20x1/2
15	2	112-56	T/S Pan Head Phil #10x3/4 A Zn
16	10	117-21	Locknut, Nylon 5/16-18 Zn
17	5	117-27	Locknut, Nylon 1/4-20 Zn
18	1	117-29	Locknut, Nylon 3/8-16 Zn
19	4	117-46	Locknut, 2-way 5/16-24 Zn
20	1	118-52	Fuse, 10A 2-Prong (AT010)
21	4	120-04	Washer .19x.50x.08 Zn
22	4	120-09	Rivet - 3/16 x 1.0 Black
23	2	128-12	Spring, Comp .437 x .62" Lg.
24	1	128-13	Clip, Conduit-Anti
25	1	809-147	Lever, Parking Brake
26	1	848-86	Button, Horn
27	1	848-87	Horn, Electric
28	1	848-88	Wire Harness, Horn
29	2	850-71	Bracket, Mechanical Brake
30	1	850-72	Bracket Asm, Parking/Brake
31	1	850-78	Bracket, Parking Lever
32	1	850-79	Pulley, Parking Brake Cable
33	2	850-80	Cable, Parking Brake Equalizer
34	1	850-81	Cable, Parking Brake
35	1	850-82	Flat Bar, Equalizer
36	2	850-83	Puck, Friction
37	2	850-84	Brake Housing, Dead Side
38	2	850-85	Brake Housing, Live Side
39	2	850-87	Plate, Shim
40	1	850-88	Lever Asm, Brake - R
41	1	850-75	Lever Asm, Brake - L
42	1	112-143	SHCS 5/16x1.25 Zn
43	1	104-27	Pin, Clevis 5/16x.75" Zn
44	1	100-100	Pin, Cotter 1/8x3/4 Zn
45	2	112-07	RHMS 10-24 x 1.50 Zn
46	1	850-86	Weldment, Mechanical Brake Bracket - L
47	1	850-89	Weldment, Mechanical Brake Bracket - R
48	2	128-18	Spring, Extension 3/8" x 1.625"

7.0 Vehicle Body & Firewall

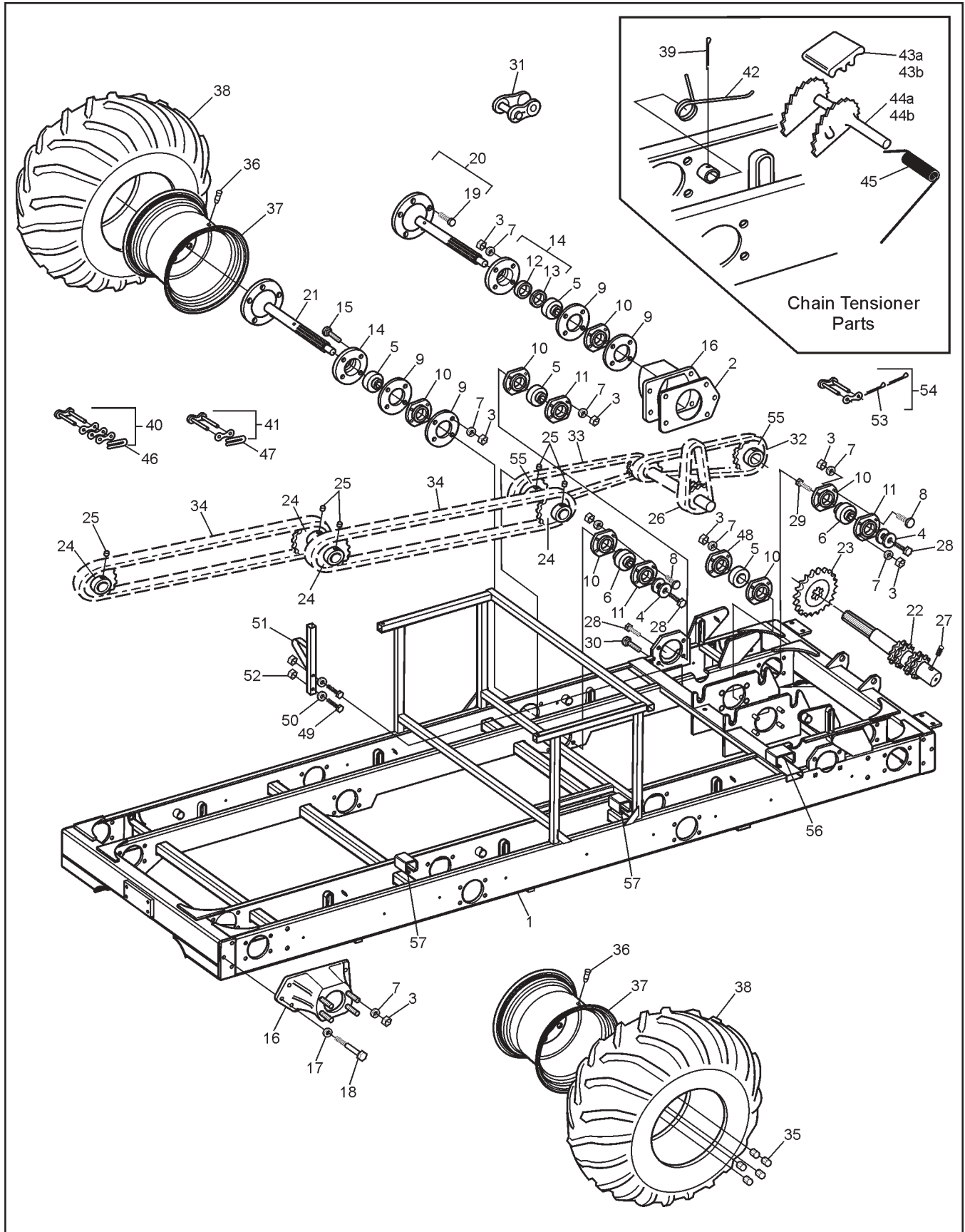
Avenger Parts Manual



Avenger Parts Manual

7.0 Vehicle Body & Firewall

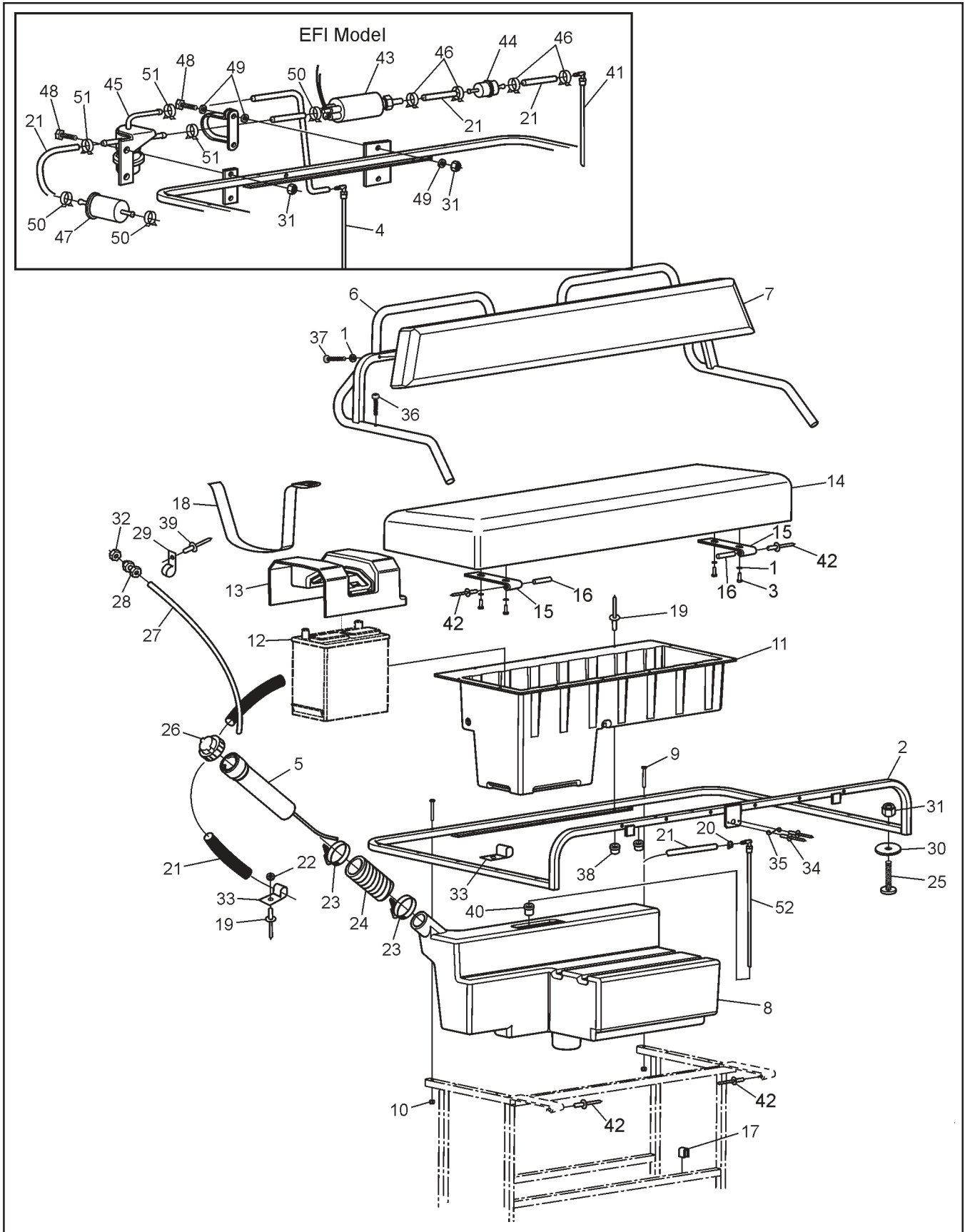
Ref.	Qty.	Part #	Description	Ref.	Qty.	Part #	Description
1	1	707-43	Screen - Exhaust - Avenger	41	32	120-27	Pin, Magna Grip
2	1	601-44	Nameplate, "Argo"	42	32	120-28	Collar, Magna Grip
3	2	127-45B	Knuckle, Hinge	43	1	801-51	Skid Plate, 8x8 - Black
4	2	127-45A	Pin, Hinge	44	1	801-52	Body & Hood, Upper -
5	1	601-101	Tube, Dash Handle				Avenger (spec. colour) (incl.
6	2	100-109	Cup holder Insert				23, 33, 34, 35, 37, 38)
7	1	126-68	Plate, Operation	45	109	120-09	Rivet 3/16 x 1 - Black
8	1	707-42	Screen, Intake - Avenger	46	8	103-48	T/S Pan HD PHIL #10 x 5/8
9	1	608-64	Seat, Rear - Left	47	4	126-79	Bumper, Plastic - Black
10	1	100-108	Mesh, Glove Box	48	24	108-25	Washer .31 x .75 x .06 Zn
11	1	126-10	Wing Stud	49	4	603-15	Washer, Plastic 5/16 Hole
12	1	803-60	Firewall, Avenger	50	4	103-08	HHCS 1/4-20 x 1.0 Zn
13	1	608-65	Seat, Rear - Right	51	2	112-04	HHCS 1/4-20 x 3/4 Gr2 Zn
14	1	126-67	Plate, Floor Pan	52	1	126-60	Vinyl Strip, 1/2" x 1/4" x 37.5'
15	1	127-142	Plate, Vehicle Capacity -	53	8	108-59	Lockwasher #10 Int. Tooth Zn
			Avenger	54	9	103-47	HHCS 10-24 x 1/2
16	2	127-01	Reflector, Red	55	1	113-12	Insert, 1/2-13
17	1	803-58	Floor Pan, Rear - Avenger	56	1	108-35	Washer .53 x 1.06 x .09 Zn
18	1	127-141	Label, Caution - Keyswitch	57	1	112-151	HHCS 1/2-13 x 1" Gr2 Zn
19	1	126-69	Plate, Fuel	58	1	613-37	Terminal Strip, Ground
20	2	127-138	Nameplate - Avenger	59	13	120-13	Rivet, 3/16 x 5/8 Black
	2	127-147	Nameplate - Avenger EFI	60	1	117-10	Locknut, 10-24 N/I Zn
21	2	601-09	Trim, Vinyl - 28"	61	38	120-24	Rivet, 3/32 x 3/8 Alum. (all
22	1	126-09	Grommet, Alum. Flattened				plates)
			Half	62	2	100-114	Gasket, Drain Plug
23	1	602-49	Frame Ass'y, Hood - Front	63	2	117-82	Locknut, Flange 1/4-20 Zn
24	1	801-05	Bumper, Vinyl - 8x8	64	1	602-51	Frame Ass'y, Hood - Rear
25	1	803-59	Floor Pan, Front - Avenger	65	1	127-144	Label, Warning - HOT
26	1	801-50	Body, Lower - Avenger	67	6	120-05	Washer, .19 x .50 x .04 Zn
27	2	100-107	Plug, Drain - Flanged	68	2	602-52	Clip, Hood - Avenger
28	1	104-13	Pin, Toplink - 3/4 x 2.75	69	1	616-20	Gasket, Rear Hitch
29	1	616-16	Hitch Assembly				
30	1	616-19	Tube, Hitch				
31	4	103-61	HHCS 3/8-24 x 1.5 Gr5 Zn				
32	1	104-11	Pin, Lynch - Ring				
33	6	120-15	Rivet - 1/8 x 7/16				
34	2	602-56	Latch, Hood - Soft Draw				
36	38	120-11	Rivet 5/32 x 9/16 - Black				
38	1	602-47	Hood Kit - Avenger (spec.				
			colour) (incl. 3, 4, 34, 36, 53,				
			54, 59, 67, 68)				
39	2	117-44	T- Nut 1/4-20 Zn				
40	86	120-04	Washer .19 x .50 x .08 Zn				



Avenger Parts Manual

8.0 Frame and Drive System

Ref.	Qty.	Part #	Description	Ref.	Qty.	Part #	Description
1	1	806-10	Frame Asm - Avenger	36	8	125-26	Valve, Tire
2	4	606-25	Gasket - Bearing Extension	37	8	127-61C	Rim - 10 x 9 - Charcoal
3	80	117-29	Locknut, Nylon 3/8-16 Zn	38	8	127-100SA	Tire, Rawhide III 25 x 11.50-9
4	16	108-46	Washer .40 x 1.37 x .12 Hi-Carbon	39	8	100-01	Pin, Cotter 1/8 x 1.50 Zn
5	12	101-35	Bearing, Ball - 1.25	40	1x4	100-96	Con. Link, RC50-2 H.D.
6	8	101-41	Bearing, Ball - 1.0	41	1x4	603-84	Con. Link, RC60-1 H.D.
7	80	108-15	Washer, .42 x .81 x .05 Zn	42	8	127-65	Spring Torsion - 1.16x0.35
8	31	103-88	C/Bolt 3/8-16 x 1.0 Gr5 Zn	43a	8	606-39	Slider Block - 1/2" Shaft
9	16	605-89	Gasket, Flange - Outer	43b	8	606-44	Slider Block - From NV25011
10	20	605-63	Flange - 4 hole	44a	8	606-35	Tensioner Asm, Chain - Prior to Serial # NV24794
11	10	101-20	Flange, Greasable - 4 hole	44b	8	606-82	Tensioner Asm, Chain - From Serial # NV24794
12	8	102-14	Seal, Oil 1.25 x 1.75 x 0.188	45	8	127-64	Spring, Torsion - .76 x 1.9
13	8	102-15	Seal, Oil 1.25 x 1.874 x 0.25	46	4	603-95	Spring Clip - RC 50 Closed
14	8	605-97	Flange Asm, Outer (incl. Refs. 12 & 13)	47	4	603-96	Spring Clip - RC 60 Closed
15	16	112-39	C/Bolt 3/8-16 x 1.75 Gr5 Zn	48	2	101-80	Flange, Greaseable - 90 Degree
16	4	810-91	Bearing Extension	49	2	103-97	HHCS 1/4-20 x 1.25
17	20	108-34	Washer .47 x .94 x .06 Zn	50	4	108-08	Washer .28 x .62 x .07
18	20	112-150	HHCS 7/16-20 x 1.5 Gr5 Zn	51	1	806-43	Support Asm, Firewall
19	5x8	103-80	Stud, Wheel 7/16-20 x 1.125 #B271	52	2	117-27	Locknut, Nylon 1/4-20
20	4	810-73	Axle Asm - Front/Rear (incl. Ref. 19)	53	4	104-35	Pin, Cotter 2mm x 12mm
21	4	810-75	Axle Asm - Mid (incl. Ref. 19)	54	2	603-94	Con. Link, RC60-1 Cotter Pin
22	2	810-59	Shaft, Idler - 11T	55	4	810-28	Sprocket, Double - 24T
23	2	606-72	Sprocket, Idler S60 x 21T	56	2	606-43	Slide, Chain - 2-3/4"
24	8	606-34	Sprocket, S60 x 19T	57	4	606-42	Slide, Chain - 1.25"
25	10	112-03	SHSS 5/16-18 x 3/8 1/2 DOG, PL				
26	2	803-54	Chain, Idler RC60-1 x 34P (incl. Ref. 41)				
27	4	112-60	SHSS 1/4-28 x 1/2 Cup Pt.				
28	12	112-31	HHCS 3/8-16 x 1.0 2B Gr8 Zn				
29	1	112-163	HHCS 3/8-16 x 2.0 Gr5 Zn				
30	4	112-61	C/Bolt 3/8-16 x 1.25 Gr5 Zn				
31		127-80	Link, Half - RC60 - 1 (opt.)				
32	2	803-55	Chain, RC50-2 x 46P-Front (incl. Ref. 40)				
33	2	803-56	Chain, RC50-2 x 74P-Mid (incl. Ref. 40)				
34	4	803-57	Chain, RC60-1 x 90P-Rear (incl. Ref. 41)				
35	5x8	117-35	Nut, Wheel 7/16-20 Zn				

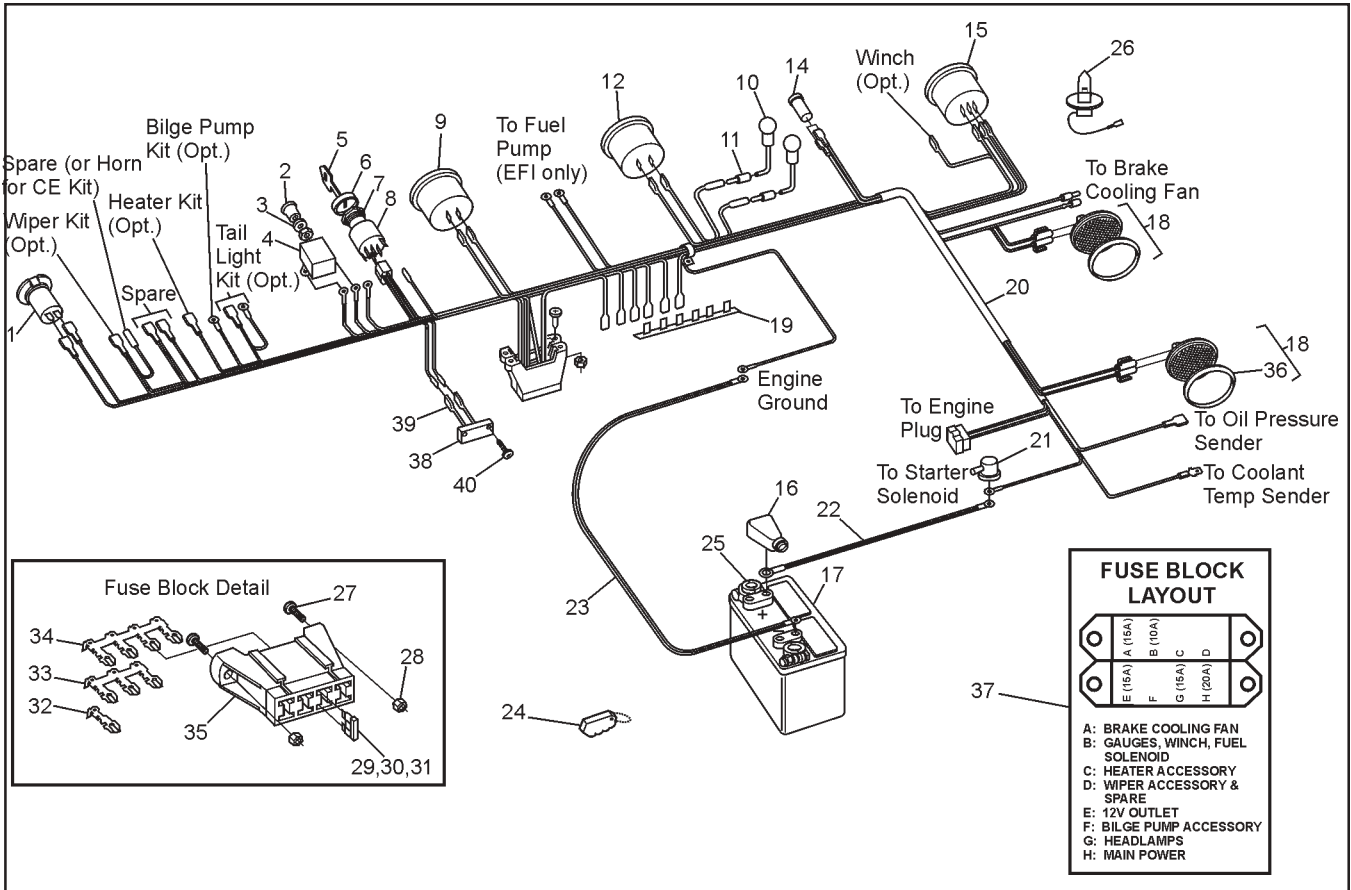


Avenger Parts Manual 9.0 Fuel System & Seat Assembly

Ref.	Qty.	Part #	Description
1	8	108-03	Lockwasher 1/4 Split Ring Zn
2	1	608-61	Frame Assembly, Seat
3	4	112-04	HHCS 1/4-20x3/4 Gr2 Zn
4	1	608-86	Pick-up, Fuel, 1/4"x 6.75"
5	1	608-59	Neck Assembly, Vented Filler
6	1	608-76	Frame Assembly, Backrest
7	1	608-39	Back pad Assembly
8	1	608-44	Tank, Fuel - Argo
9	2	103-77	HHCS, 1/4-28 x 2.0
10	2	117-01	Locknut, Nylon 1/4-28 Zn
11	1	608-54	Toolbox
12	1	127-54	See Section 10.0 Electrical System
13	1	608-55	Cover, Battery
14	1	608-45	Seat Assembly, Bench
15	2	608-81	Hinge, Seat, Bolted
16	2	104-43	Pin, 3/16" x 1-1/8"
17	4	702-06	Foam Cushion
18	1	608-56	Strap, Battery
19	17	120-09	Rivet 3/16x1 - Black
20	4	112-79	Clamp, Hose, 1/2" - Black
21	1	608-69	Hose, Fuel 5/16" ID x 7.5' - Carb
22	8	120-04	Washer .19 x .50 x .08 Zn
23	2	100-12	Clamp, Gear 2.25" HF-36
24	1	125-94	Hose, Filler
25	10	112-07	RHMS 10-24 x 1.50 Zn
26	1	126-46	Cap, Fuel
27	1	127-21	Hose, Vent - 109"
28	1	126-50	Male Connector, 1/4"
29	6	126-94	Clamp, Nylon Wire - 1/4" ID
30	10	108-42	Washer .21 x 1.0x.06 Zn
31	14	117-10	Locknut, Nylon #10-24 Zn
32	1	117-54	Nut, Locking PAL 1/2-20 Zn
33	7	126-93	Clamp, Nylon Wire - 1/2" ID
34	2	120-15	Rivet, 1/8 x 7/16
35	1	126-11	Spring
36	2	112-41	PHMS, Phil 1/4-20 x 1.25 Zn
37	4	103-03	PHMS, Phil 1/4-20 x 1.50 Zn
38	2	117-64	Insert, 1/4-20 Steel Cad Pltg.
39	4	120-13	Rivet, 3/16 x 5/8 Black
40	1	808-123	Plug, Nylon, 1/4 - NPT
41	1	608-84	Pick-up, Fuel, 5/16" x 11.75"
42	4	120-31	Rivet, 3/16" x 1/4, Open End
43	1	24 393 20	Fuel Pump, EFI
44	1	608-71	Filter, Fuel, 5/16" ID
45	1	24 403 16	Regulator, Fuel Pressure
46	2	112-78	Clamp, Hose, 9/16
47	1	24 050 03	Filter, Fuel Line - EFI - c/w engine
48	4	103-47	HHCS, 10-24 x 1/2
49	4	120-05	Washer, .19 x .5 x .04
50	3	112-166	EFI Hose Clamp .551 - .669 ID
51	4	112-165	EFI Hose Clamp .433 - .551 ID
52	1	608-87	Pick-up, Fuel, 1/4 x 11.75

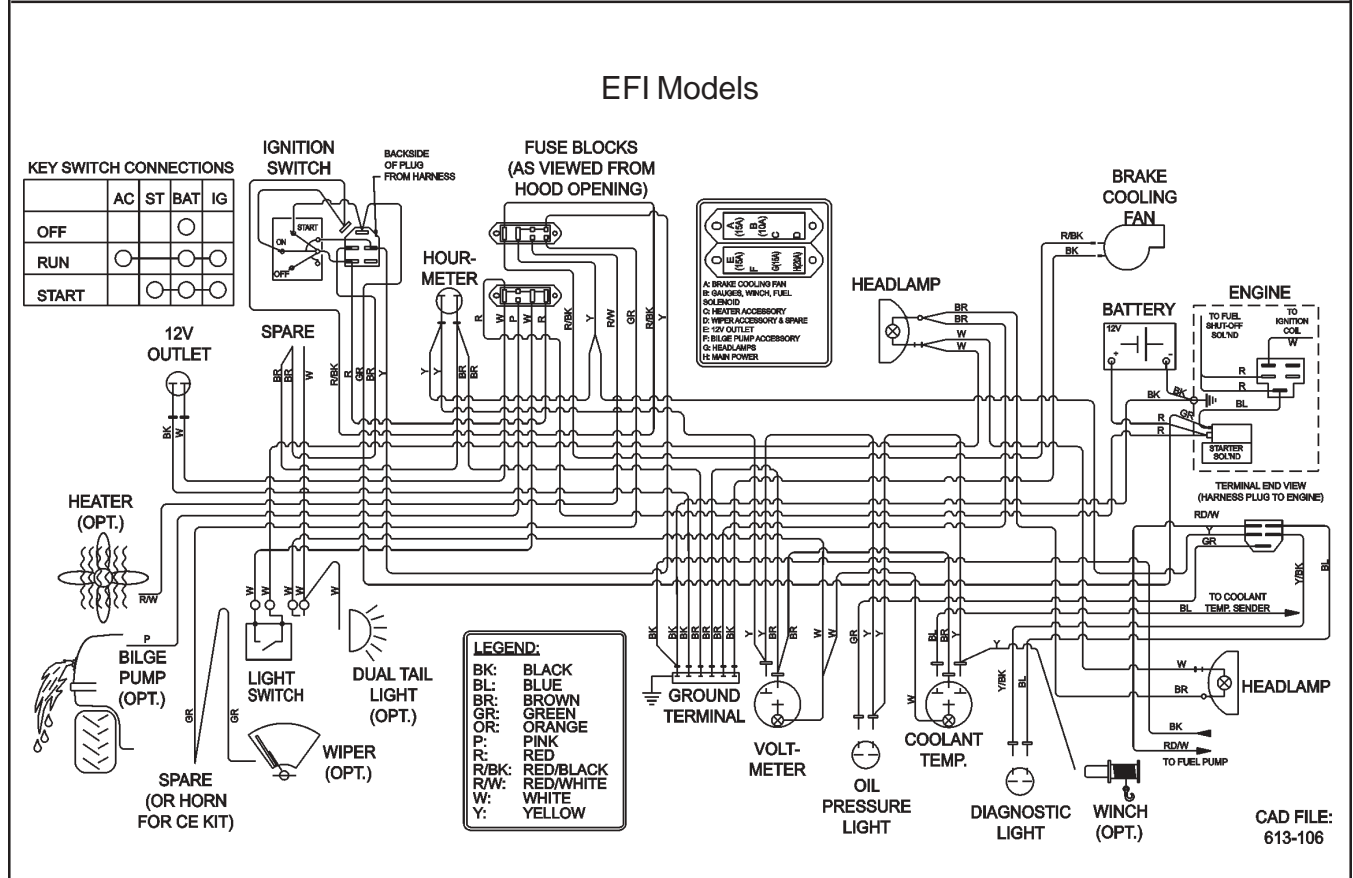
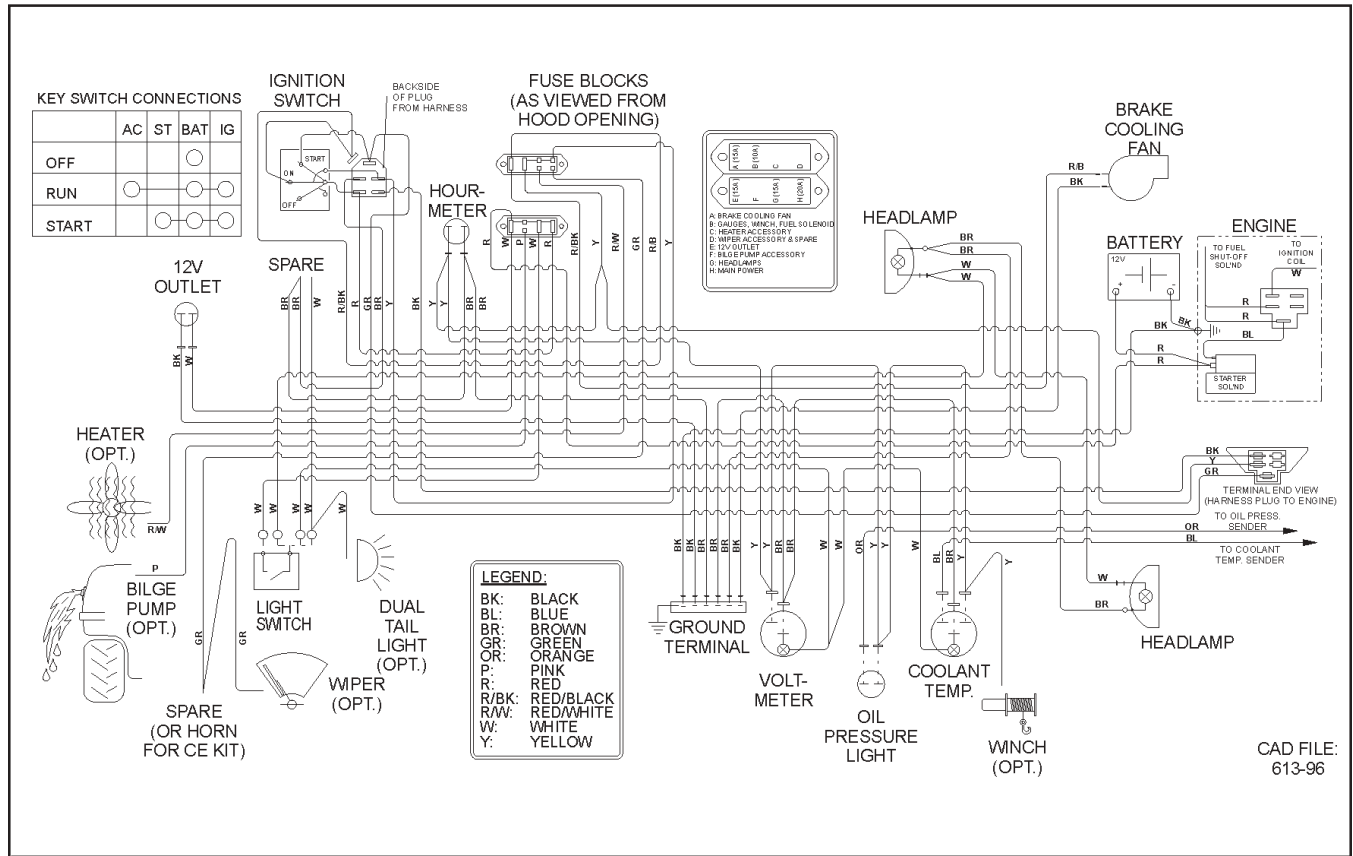
10.0 Electrical System

Avenger Parts Manual



Ref.	Qty.	Part #	Description
1	1	613-90	Outlet, 12 Volt DC
2	1	126-76	Knob, Light - Black
3	1	108-55	Lockwasher 7/16 Ext. Tooth Zn
4	1	100-62	Switch, Light
5	2	127-108	Key, Molded
6	1	127-107	Bezel - Cover, Nut
7	1	127-106	Nut, Flanged - Plastic
8	1	127-105	Switch - Ignition
9	1	632-15	Hourmeter #85005C-22
10	2	634-10	Light Kit, #06215-00 5/8" Dia.
11	3	118-02	Terminal, Male #76-1251
12	1	633-10	Voltmeter #07583-15 (#830EM)
14	2	634-08	Light, Indicator
15	1	634-23	Gauge, Water Temp. - Avenger
16	1	127-55	Cap, Battery Terminal - Red
17	1	127-54	Battery, Exide 45-60
18	2	613-92	Headlamp Ass'y - Oval w/Bezel (incl. items 26 & 36)
19	2	613-37	Terminal Strip, Ground
20	1	613-96	Wire Harness, Kohler 25HP
20a	1	613-106	Wire Harness, Kohler 31HP EFI

Ref.	Qty.	Part #	Description
21	1	613-46	Insulator, Terminal (2 ga.)
22	1	613-94	Wire, Positive Battery
23	1	613-95	Wire, Negative Battery
24	1	681-00	FOB, Key - Floating
25	2	127-56	Terminal, Battery Post
26	2	127-46	Bulb, Headlight - Halogen 37W
27	2	112-51	Screw, IHWH T/C #10-24 x 5/8
28	4	117-10	Locknut, Nylon #10-24 Zn
29	1	118-52	Fuse, 10A 2 Prong (AT010)
30	3	118-49	Fuse, 15A 2 Prong (AT015)
31	1	118-53	Fuse, 20A 2 Prong (AT020)
32	9	118-62	Terminal - Fuse, single
33	1	118-63	Terminal - Fuse, triple
34	1	118-61	Terminal - Fuse, quad
35	2	118-60	Block - Fuse, 8 position (4 fuse)
36	2	613-93	Bezel, Headlamp - Avenger
37	1	127-143	Label, Fuse Panel - B&S
38	1	613-99	Light, Shifter Illumination
39	2	118-69	Terminal, 3/16 Male Blade 22 Ga
40	2	112-139	OHPS T/S #4 x 5/8 Black Zn



ARGO Products Manufactured by:

Ontario Drive & Gear Limited

220 Bergey Court
New Hamburg, Ontario
Canada N3A 2J5
Phone: (519) 662-2840
Fax: (519) 662-2421
www.argoatv.com

ODG *Dedicated to quality and performance*