

**FRONTIER**



***Argo 8x8***

# 2022 PARTS MANUAL

*Frontier 650 8x8*

*Frontier 700 8x8*

*Frontier 700 Scout 8x8*

# Foreword

ODG has prepared this parts manual for the Frontier models to assist both qualified mechanics and vehicle owners in ordering correct, quality replacement ARGO parts. For the most current parts manual contact your dealer or visit our website at [www.argoxtv.com](http://www.argoxtv.com).

Proper and regular service, and replacing old, worn or broken parts with the correct ARGO replacement parts, are both essential to prolonging the life of the ARGO. Please refer to this parts manual and/or our website [www.argoxtv.com](http://www.argoxtv.com) before ordering any replacement part.

All information contained in this Frontier Parts Manual is based on the latest product specification available at time of release. If your Frontier differs from the specifications contained in this manual, contact your dealer for the most current information.

ODG reserves the right to alter specifications on the Frontier models at any time, without obligation or prior notification.

Reproduction of this Frontier Parts Manual, in whole or in part, is prohibited without prior written permission from Ontario Drive & Gear Limited.

## Vehicle Identification

**Frontier** - 2022 Serial Nos... last 5 digits of V.I.N.

## Explanation of Parts Manual Format

**Ref** - Reference number between assembly diagram and component parts list

**Part No.** - Argo replacement part number for identification and re-ordering

**Description** - Part description for identification and re-ordering

**Qty** - Indicates the quantity of a part used in an assembly



### Using the Parts Manual

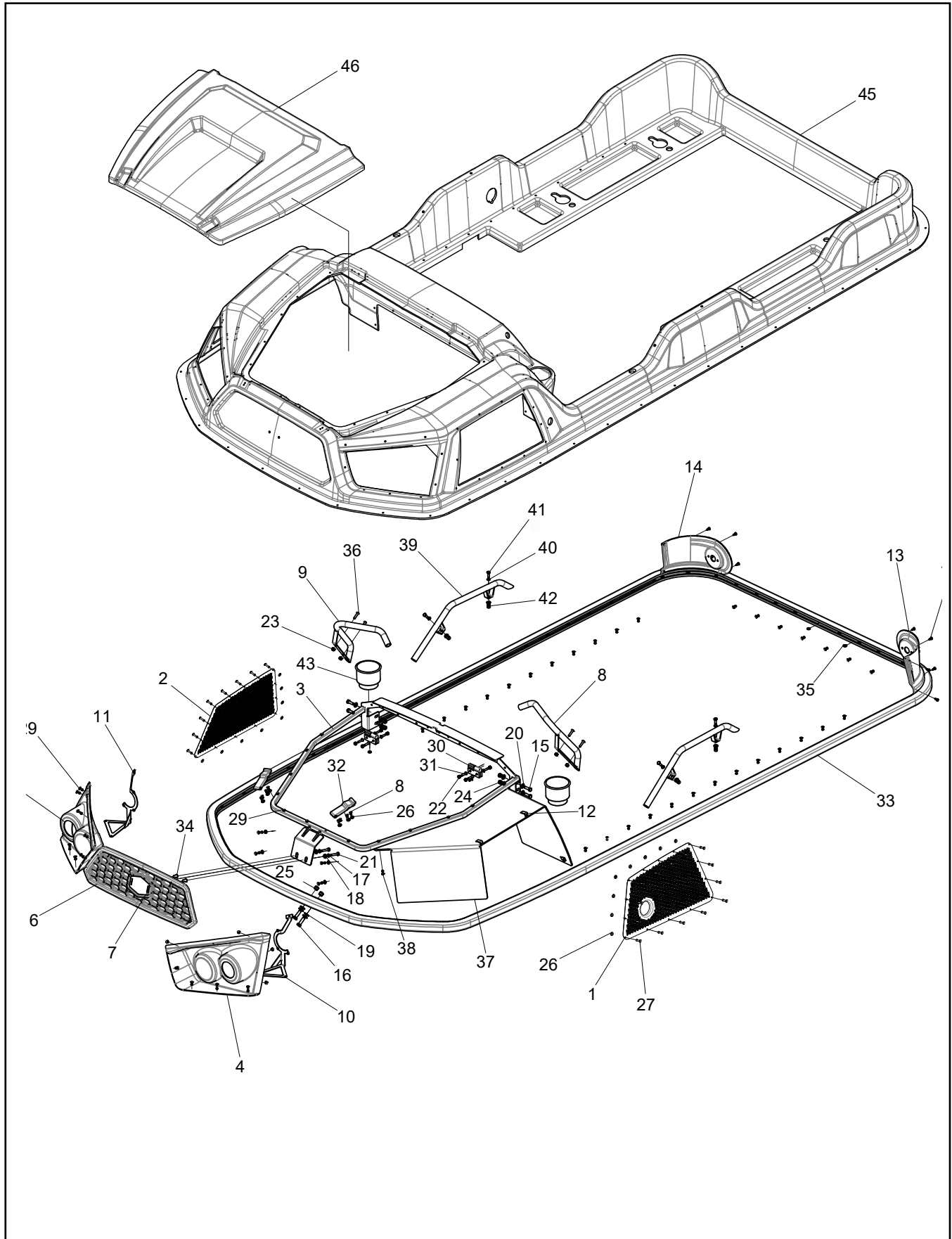
1. Find the major vehicle assembly in the Table of Contents on this page, and turn to that section.
2. Locate the part in the illustration that you wish to order.
3. Refer to the parts list in that section.
4. Find the correct part number (Part No.), part description (Description) and correct quantity (Qty).
5. Use *only* this information to order ARGO replacement parts. **DO NOT** attempt to order a replacement part by reference number or page number.

### Table of Contents

Foreword .....	i
Vehicle Identification.....	i
Using the Parts Manual .....	ii
1.0 Upper Body .....	4
2.0 Chassis.....	6
3.0 Lower Body .....	8
4.0 Covers .....	10
5.0 Axle & Driveline w/Extensions.....	12
5.1 Axle & Driveline - No Extensions.....	14
6.0 Fuel System .....	16
7.0 Intake System B&S 23 HP .....	18
8.0 Exhaust System B&S 23 HP .....	19
9.0 Wheel - Standard .....	20
10.0 Seat - Front .....	21
10.1 Seat - Rear .....	22
10.2 Seat - Side.....	23
11.0 Steering & Brakes .....	24
12.0 Clutch .....	26
13.0 Transmission .....	28
13.1 Transmission & Controls .....	30
14.0 Engine B&S 23HP .....	32
14.1 Engine B&S 23HP EFI.....	34
15.0 Labels .....	36
15.1 Decals .....	37
15.2 Labels, By Region .....	38
16.0 Electrical .....	40
16.1 Main Wire Harness - Schematic.....	42

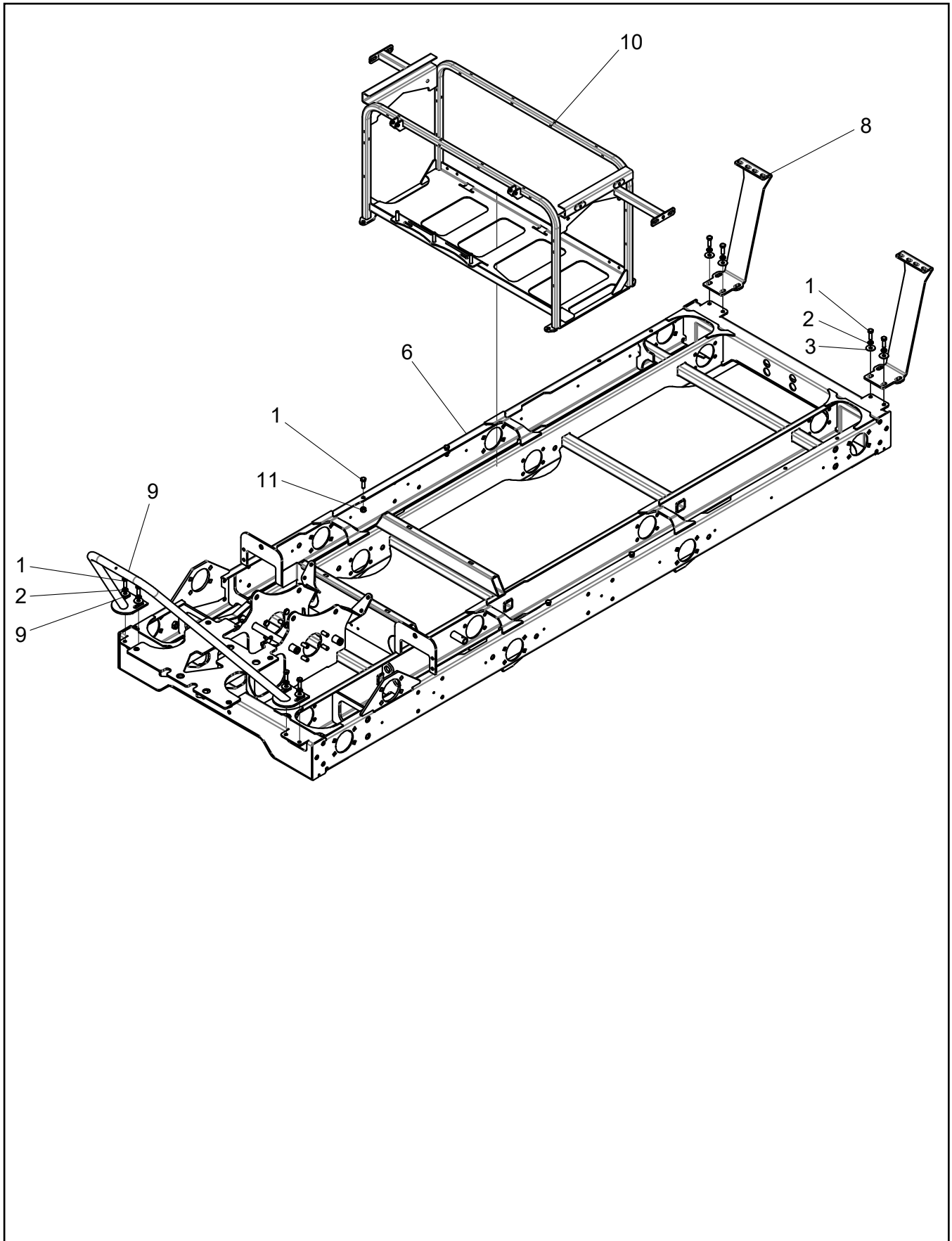
# 1.0 Upper Body

# 2022 Frontier 8x8 Parts Manual





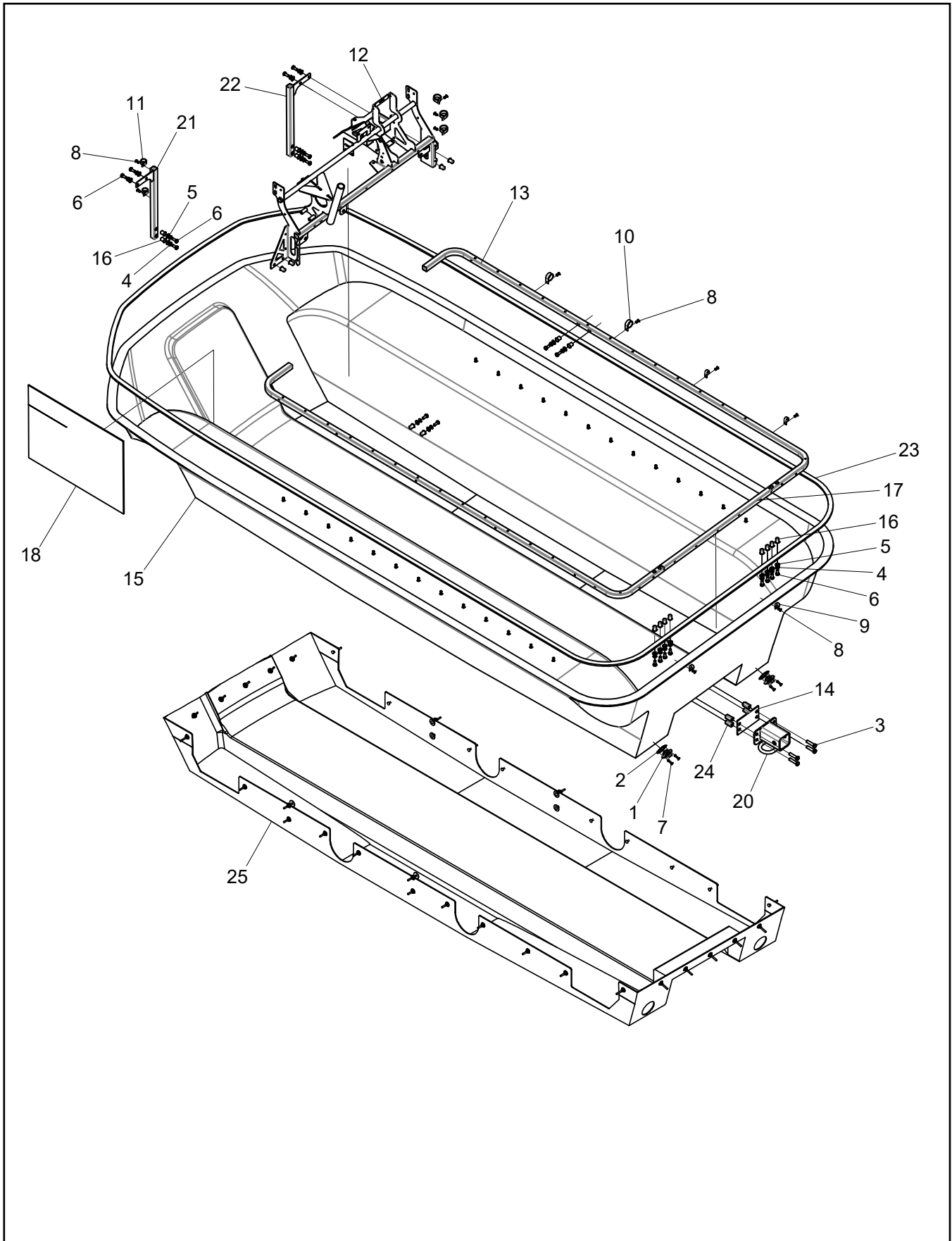
Ref.	Qty.	Part #	Description
1	1	700-0432	SCREEN, EXHAUST
2	1	700-0433	SCREEN, INTAKE
3	1	300-0019	WLDT, HOOD FRAME
4	1	700-0074	BEZEL, HEAD LIGHT - LEFT
5	1	700-0075	BEZEL, HEAD LIGHT - RIGHT
6	1	10217C	PANEL, GRILLE
7	1	10542C	WLDT, LOGO PLATE
8	1	700-0056	WLDT, GRAB HANDLE - LEFT
9	1	700-0057	WLDT, GRAB HANDLE - RIGHT
10	1	300-0281	BRACKET, LOW BEAM - LEFT
11	1	300-0282	BRACKET, LOW BEAM - RIGHT
12	3	300-0239	BRACKET, HEAT SHIELD
13	1	10220C	BUCKET, LIGHT - LR
14	1	10221C	BUCKET, LIGHT - RR
15	4	103-06	HHCS 5/16-18x1.0 GR5 ZINC
16	2	103-34	HHCS 3/8-16x1.25 GR5 ZINC
17	2	108-03	LOCKWASHER 1/4 SPLIT RING ZNC
18	2	108-08	WASHER .28x.62x.07 ZINC
19	4	108-15	WASHER .42x.81x.05 ZINC
20	8	108-24	WASHER .34x.70x.06 ZINC
21	2	112-90	HHCS 1/4-20x1.5" GR5 ZN
22	8	112-115	LOCKNUT, NYLON M6x1 ZN
23	4	117-27	LOCKNUT, NYLON 1/4-20 ZINC
24	4	117-127	LOCKNUT, NYLON 5/16-18 ZP
25	2	117-128	LOCKNUT, NYLON 3/8-16 ZP
26	109	120-04	WASHER .19x.50x.08 ZINC
27	109	120-09	RIVET - 3/16 x 1.0 BLACK
28	8	120-11	RIVET, 5/32 x .157-.472
29	67	120-13	RIVET - 3/16 x 3/4 BLACK
30	2	200-0003	HINGE, BARREL - REMOVABLE
31	8	200-0007-025	FHCS, M6x1.0x25 GR10.9 BNZ
32	2	602-56	LATCH, HOOD - SOFT DRAW
33	1	801-05	BUMPER, VINYL - 8X8
34	2	10055A003	INSERT NUT, 1/4-20 UNC
35	40	10092A004	WASHER, FINISHING - #10
36	4	10153A100	BHCS, 1/4-20-1 GR5 BNZ
37	1	400-0040	SHIELD, UPPER HEAT
38	5	120-14	RIVET - 3/16 x 5/8 BLACK
39	2	700-0070	HANDRAIL WLDT, FRONT
40	4	108-105	LOCKWASHER, 1/4 SPLIT, BLK ZN
41	4	112-04	HHCS 1/4-20x3/4 GR5 ZINC
42	4	117-53	NUT, JACK 1/4-20 8L-JNS ZINC
43	2	700-0234	CUP HOLDER INSERT - LARGE
44	12	103-48	T/S PAN HD PHIL #10x5/8 A BLK
45	1	700-0013-BLK	UPPER BODY, 8x8 - BLACK
	1	700-0013-ORG	UPPER BODY, 8x8 - ORANGE
	1	700-0013-TUN	UPPER BODY, 8x8 - TUNDRA
	1	700-0013-PRC	UPPER BODY, 8X8 - TRUE TIMBER PRAIRIE
46	1	700-0055-BLK	PANEL, HOOD - BLACK
	1	700-0055-ORG	PANEL, HOOD - ORANGE
	1	700-0055-TUN	PANEL, HOOD - TUNDRA
	1	700-0055-PRC	PANEL, HOOD - TRUE TIMBER PRAIRIE



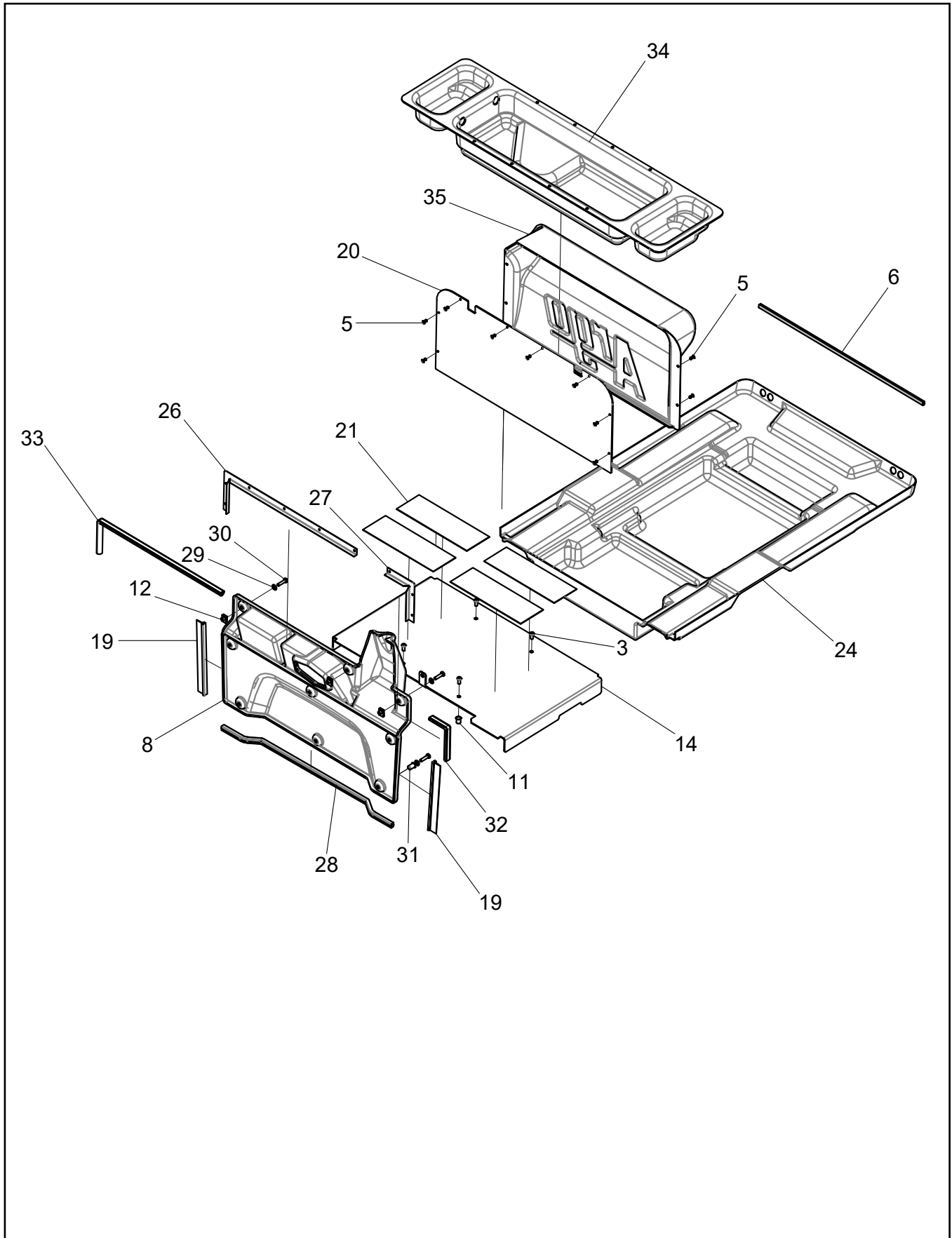
Ref.	Qty.	Part #	Description
1	12	103-06	HHCS 5/16-18x1.0 GR5 ZINC
2	8	108-05	LOCKWASHER 5/16 SPLIT-RING BNZ
3	8	108-12	WASHER .34x1.00x.06 ZINC
6	1	300-0740	CHASSIS, FRONTIER 8X8
8	2	300-0142	BRACKET, REAR HOOP
9	1	300-0074	WLDT, WINCH HOOP
10	1	300-1095	SEAT FRAME WLDT, FRONT
11	4	117-127	LOCKNUT, NYLON 5/16-18 ZP

### 3.0 Lower Body

### 2022 Frontier 8x8 Parts Manual

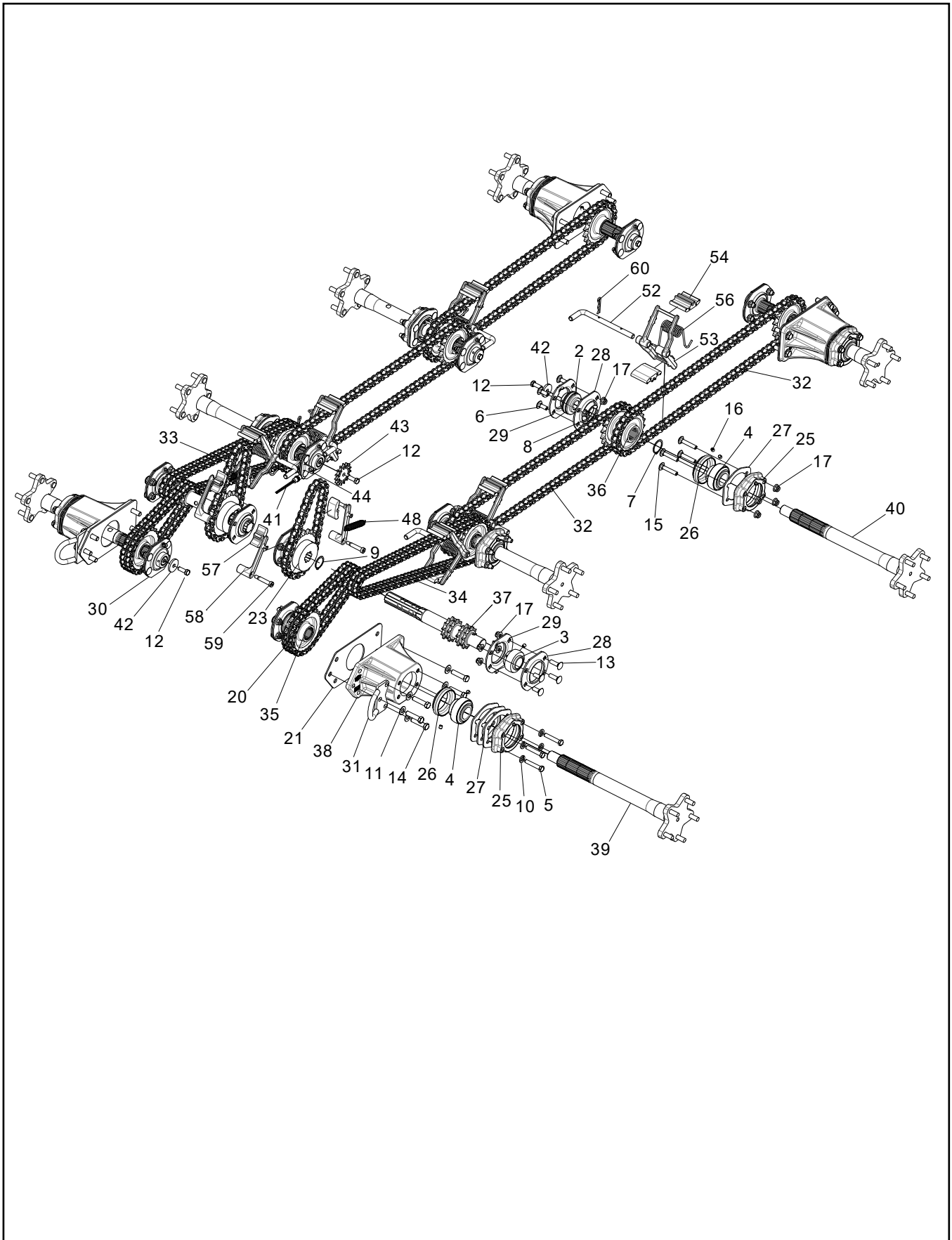


Ref.	Qty.	Part #	Description
1	2	100-107	PLUG, DRAIN-FLANGED
		100-115	DRAIN PLUG (MALE) C/W O-RING
2	2	100-114	GASKET, DRAIN PLUG
3	4	103-61	HHCS 3/8-24x1.5 GR5 ZINC
4	20	108-05	LOCKWASHER 5/16 SPLIT-RING BNZ
5	20	108-24	WASHER .34x.70x.06 ZINC
6	20	112-01	HHCS 5/16-18x3/4 GR5 ZINC
7	4	120-09	RIVET - 3/16 x 1.0 BLACK
8	37	120-13	RIVET - 3/16 x 3/4 BLACK
9	4	126-93	CLAMP, NYLON WIRE - 1/2" ID
10	5	127-24	CLAMP, NYLON - 1" ID
11	2	127-287	CLAMP, NYLON, 3/4 ID
12	1	300-1044	WLDT, DASH SUPPORT
13	2	300-0026	TUBE, UPPER HOOP - 8X8
14	1	616-20	GASKET, REAR HITCH
15	1	801-50	BODY, LOWER - AVENGER
16	20	10055A001	INSERT NUT, 5/16-18 UNC
17	1	10209C	REAR TUBE
18	1	10257C	INSULATION, LOWER BODY
20	1	300-0079	HITCH, RECEIVER
21	1	300-0208	WLDT, LOWER DASH SUPPORT - LEFT
22	1	300-0216	WLDT, LOWER DASH SUPPORT - RIGHT
23	1	200-0001-323	PVC FOAM TAPE, 1/4" x 3/4" x 323"
24	4	200-0172-001	NUT, COUPLING - 3/8-16 x 1-1/8"
25	1	863-13	SKID PLATE, 8x8 & HARDWARE



Ref.	Qty.	Part #	Description
3	4	112-276	BHCS, 5/16-18 x0.75
5	12	120-13	RIVET - 3/16 x 3/4 BLACK
6	1	601-09	TRIM, VINYL - 28"
8	1	700-0003	PANEL, FIREWALL
11	4	10055A001	INSERT NUT, 5/16-18 UNC
12	3	10056A006	UNUT, 5/16-18 x .025-.150 PH
14	1	10200C	PLATE, FLOOR - FRONT
19	2	10304C011	FLAP SEAL 90 DEGREE - 10.75"
20	1	10315C	FUEL TANK COVER
21	4	10321C	GRIP TAPE 12"
24	1	700-0445	FLOOR PAN, REAR FRONTIER - 8X8
26	1	700-0050	TRIM, FIREWALL - RIGHT
27	1	700-0064	TRIM, FIREWALL - LEFT
28	1	200-0025-030	SEAL, 90 DEG BULB - 0.43 DIA X 30
29	5	108-24	WASHER .34x.70x.06 ZINC
30	5	103-38	HHCS 5/16-18x1.25 GR5 ZINC
31	2	10055A011	INCT, 5/16-18x0.150-0.312 ZN
32	1	849-176-008	WEATHERSEAL-D STRIP W/ADH BACK x 8"
33	1	849-176-026	WEATHERSEAL-D STRIP W/ADH BACK x 26"
34	1	700-0374	TRAY,STORAGE-SEAT
35	1	700-0375	COVER, REAR

# 5.0 Axle & Driveline with Extensions 2022 Frontier 8x8 Parts Manual

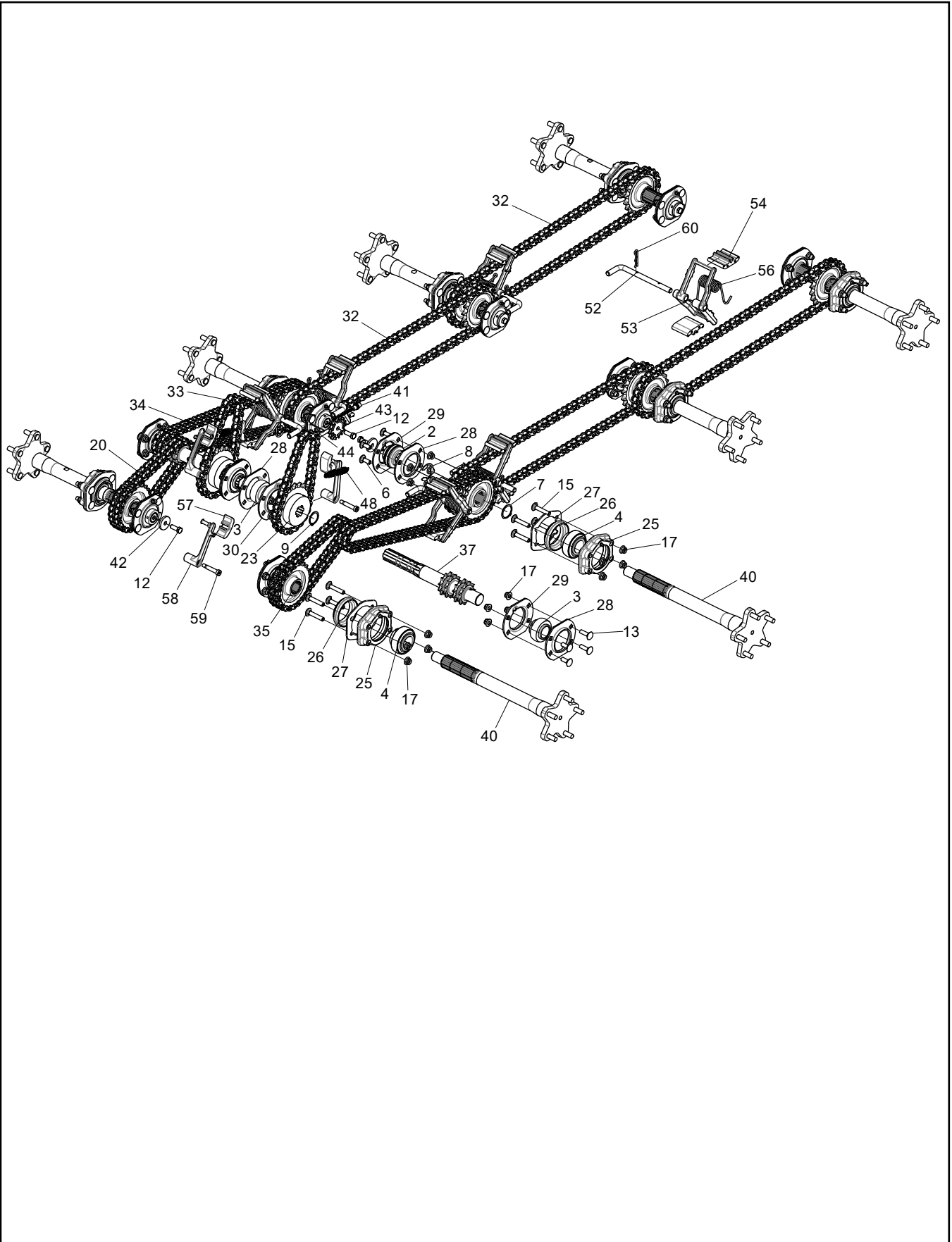




## 2022 Frontier 8x8 Parts Manual 5.0 Axle & Driveline with Extensions

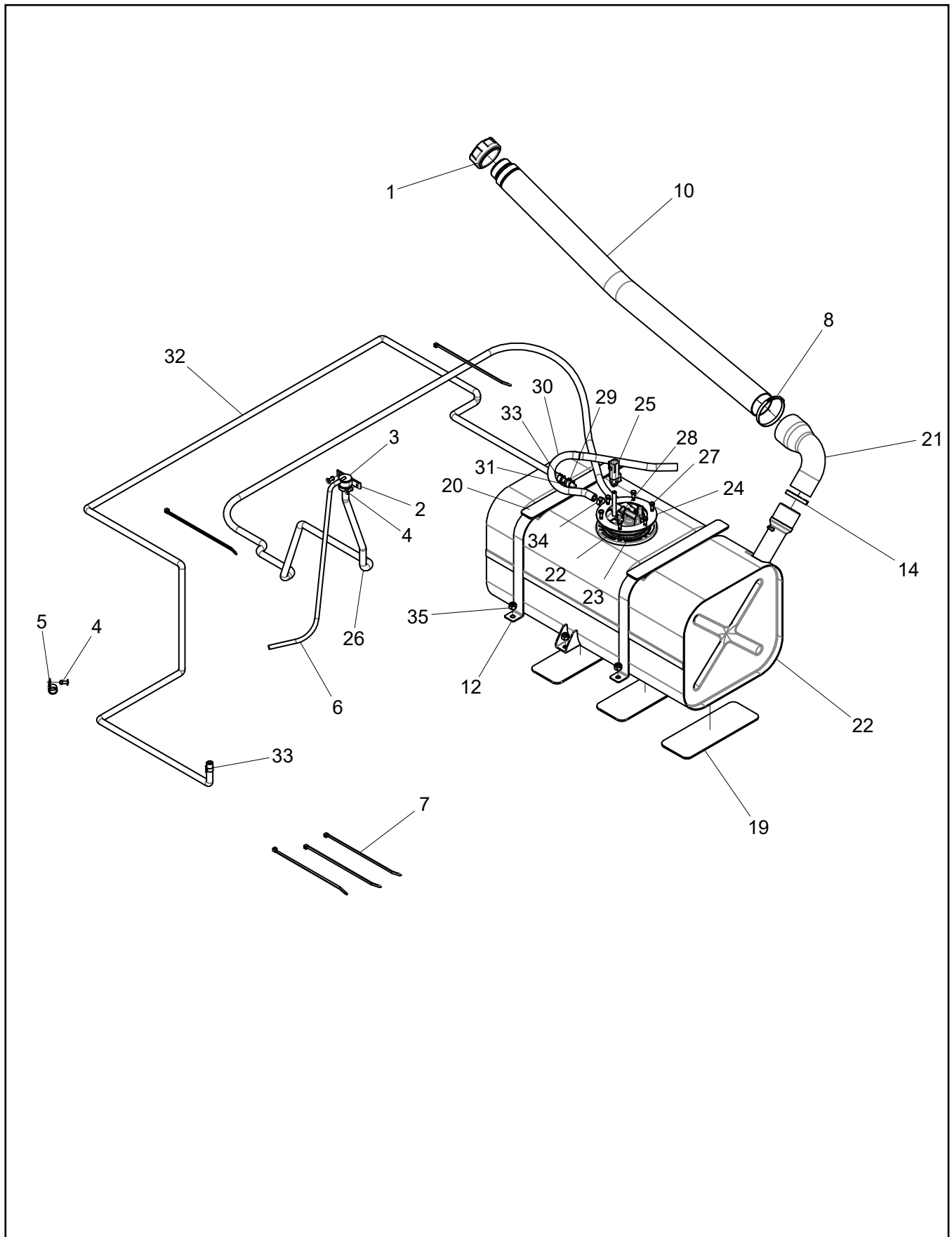
Ref.	Qty.	Part #	Description
2	8	101-41	BEARING, BALL- 1.0
3	4	101-96	BEARING,BALL-1.25
4	8	200-0062-001	BEARING, BALL -1.375 x 72mm x 43 mm
5	16	103-68	HHCS 3/8-16x2.0 Gr5 Zn
6	36	103-88	C/BOLT 3/8-16x1.0 GR5 ZINC
7	8	106-15	RETAINING RING SH-0137-PA
8	4	106-34	RETAINING RING, E-STYLE - 1.375"
9	3	107-10	RETAINING RING SH-0125-PA
10	16	108-27	LOCKWASHER 7/16 SPLIT-RING ZN
11	20	108-34	WASHER .47X.94x.06 ZN
12	8	112-31	HHCS 3/8-16x1.0 2B GR8 ZINC
13	4	112-61	C/BOLT 3/8-16x1.25 GR5 ZINC
14	20	112-181	HHCS 7/16-20x1.75 GR5 ZN
15	16	112-187	C/BOLT 3/8-16x2.0 GR5 ZINC
16	22	112-200	SHSS 5/16-24x5/16 FLAT PT
17	64	117-118	LOCKNUT, NYLON 3/8-16, FLANGED
20	2	603-19	CHAIN, RC50-2 X 44P
21	4	606-25	GASKET, BEARING EXTENSION
23	2	606-72	SPROCKET, IDLER S60 X 21T
25	8	606-88	FLANGE ASY, OUTER BEARING
26	8	606-89	CARRIER, AXLE BEARING
27	16	606-90	GASKET, FLANGE -72 MM BRG
28	12	606-91	FLANGE, 4-HOLE HD
29	8	606-92	FLANGE, GREASEABLE - 4-HOLE HD
30	4	606-93	FLANGE, GREASEABLE - 90 DEG HD
31	2	642-47	TIE DOWN BRACKET
32	4	803-57	CHAIN, RC60-1 X 90P
33	2	803-62	CHAIN RC60-1x34P-IDLER- LAMBDA
34	2	803-65	CHAIN, RC50-2 X 80P
35	4	805-142	SPROCKET, D50X25T-16/32 INT
36	8	805-143	SPROCKET, S60X19T-16/32 INT
37	2	810-59	SHAFT, IDLER
38	4	810-112	EXTENSION ASY, BEARING W/NUTS
39	4	810-122	ASM, AXLE FORGED - FR/RR
40	4	810-123	ASM, AXLE FORGED - MID
41	1	10011B	SENSOR, SPEED
42	7	200-0005	WASHER, .39 X 1.45 X .188
43	1	500-0021	DISC, WHEEL SPEED SENSOR - 15T
44	1	500-0022	BRACKET, WHEEL SPEED SENSOR
48	2	200-0109	SPRING, EXT - 3.63 X 0.625 X 0.075
52	6	300-0803	PIN, TENSIONER
53	12	500-0091	TENSIONER ARM, DRIVE LINE
54	12	603-61	SLIDER BLOCK
56	6	128-16	SPRING, TORSION - CENT CHAIN
57	4	500-0093	SLIDER BLOCK
58	4	500-0092	TENSIONER ARM, DROP CHAIN
59	4	200-0108-150	SHSCS, 3/8x1.50 GR8 BO
60	6	10171A003	PIN, HAIRPIN 0.125x2.0 ZP

# 5.1 Axle & Driveline - No Extensions 2022 Frontier 8x8 Parts Manual

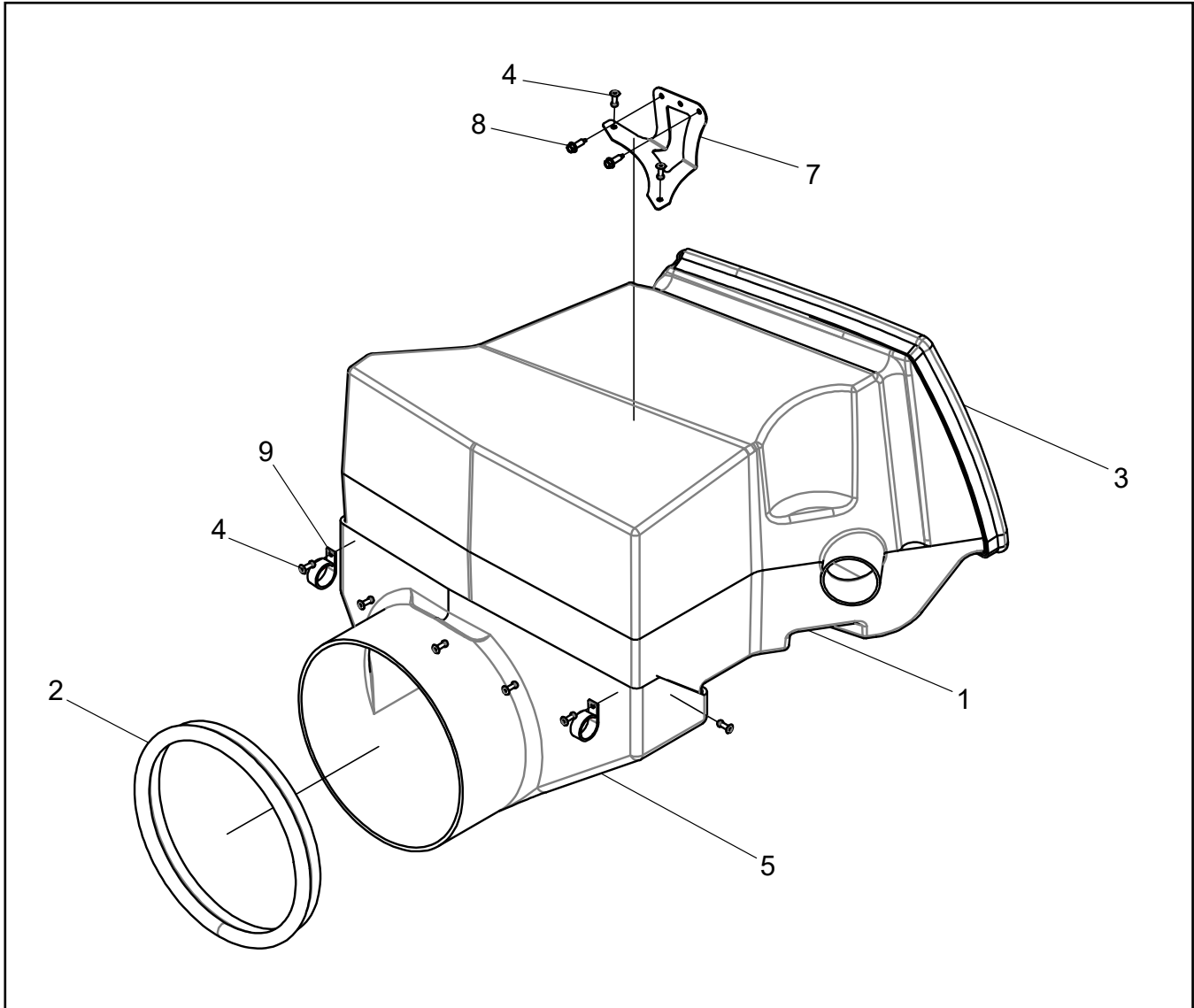


## 2022 Frontier 8x8 Parts Manual 5.1 Axle & Driveline - No Extensions

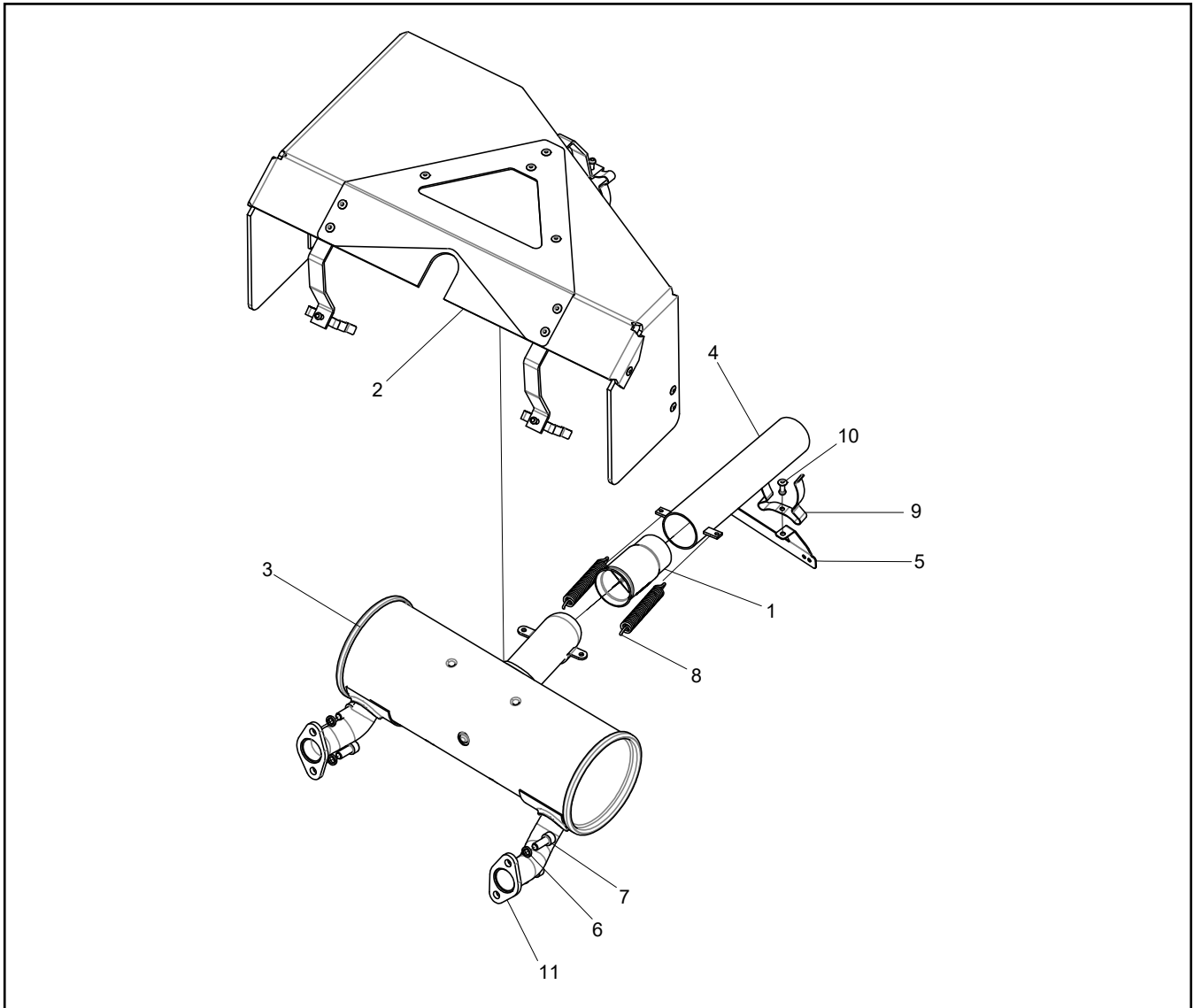
Ref.	Qty.	Part #	Description
2	8	101-41	BEARING, BALL- 1.0
3	4	101-96	BEARING,BALL-1.25
4	12	200-0062-001	BEARING, BALL -1.375 x 72mm x 43 mm
6	36	103-88	C/BOLT 3/8-16x1.0 GR5 ZINC
7	8	106-15	RETAINING RING SH-0137-PA
8	4	106-34	RETAINING RING, E-STYLE - 1.375"
9	3	107-10	RETAINING RING SH-0125-PA
12	8	112-31	HHCS 3/8-16x1.0 2B GR8 ZINC
13	4	112-61	C/BOLT 3/8-16x1.25 GR5 ZINC
15	32	112-187	C/BOLT 3/8-16x2.0 GR5 ZINC
16	22	112-200	SHSS 5/16-24x5/16 FLAT PT
17	80	117-118	LOCKNUT, NYLON 3/8-16, FLANGED
20	2	603-19	CHAIN, RC50-2 X 44P
23	2	606-72	Sprocket, Idler S60 x 21T
25	12	606-88	FLANGE ASY, OUTER BEARING
26	12	606-89	CARRIER, AXLE BEARING
27	20	606-90	GASKET, FLANGE -72 MM BRG
28	12	606-91	FLANGE, 4-HOLE HD
29	8	606-92	FLANGE, GREASEABLE - 4-HOLE HD
30	4	606-93	FLANGE, GREASEABLE - 90 DEG HD
32	4	803-57	CHAIN, RC60-1 X 90P
33	2	803-62	CHAIN RC60-1x34P-IDLER- LAMBDA
34	2	803-65	CHAIN, RC50-2 X 80P
35	4	805-142	SPROCKET, D50X25T-16/32 INT
36	8	805-143	SPROCKET, S60X19T-16/32 INT
37	2	810-59	SHAFT, IDLER
40	8	810-123	ASM, AXLE FORGED - MID
41	1	10011B	SENSOR, SPEED
42	7	200-0005	WASHER, .39 X 1.45 X .188
43	1	500-0021	DISC, WHEEL SPEED SENSOR - 15T
44	1	500-0022	BRACKET, WHEEL SPEED SENSOR
48	2	200-0109	SPRING, EXT - 3.63 X 0.625 X 0.075
52	6	300-0803	PIN, TENSIONER
53	12	500-0091	TENSIONER ARM, DRIVE LINE
54	12	603-61	SLIDER BLOCK
56	6	128-16	SPRING, TORSION - CENT CHAIN
57	4	500-0093	SLIDER BLOCK
58	4	500-0092	TENSIONER ARM, DROP CHAIN
59	4	200-0108-150	SHSCS, 3/8x1.50 GR8 BO
60	6	10171A003	PIN, HAIRPIN 0.125x2.0 ZP



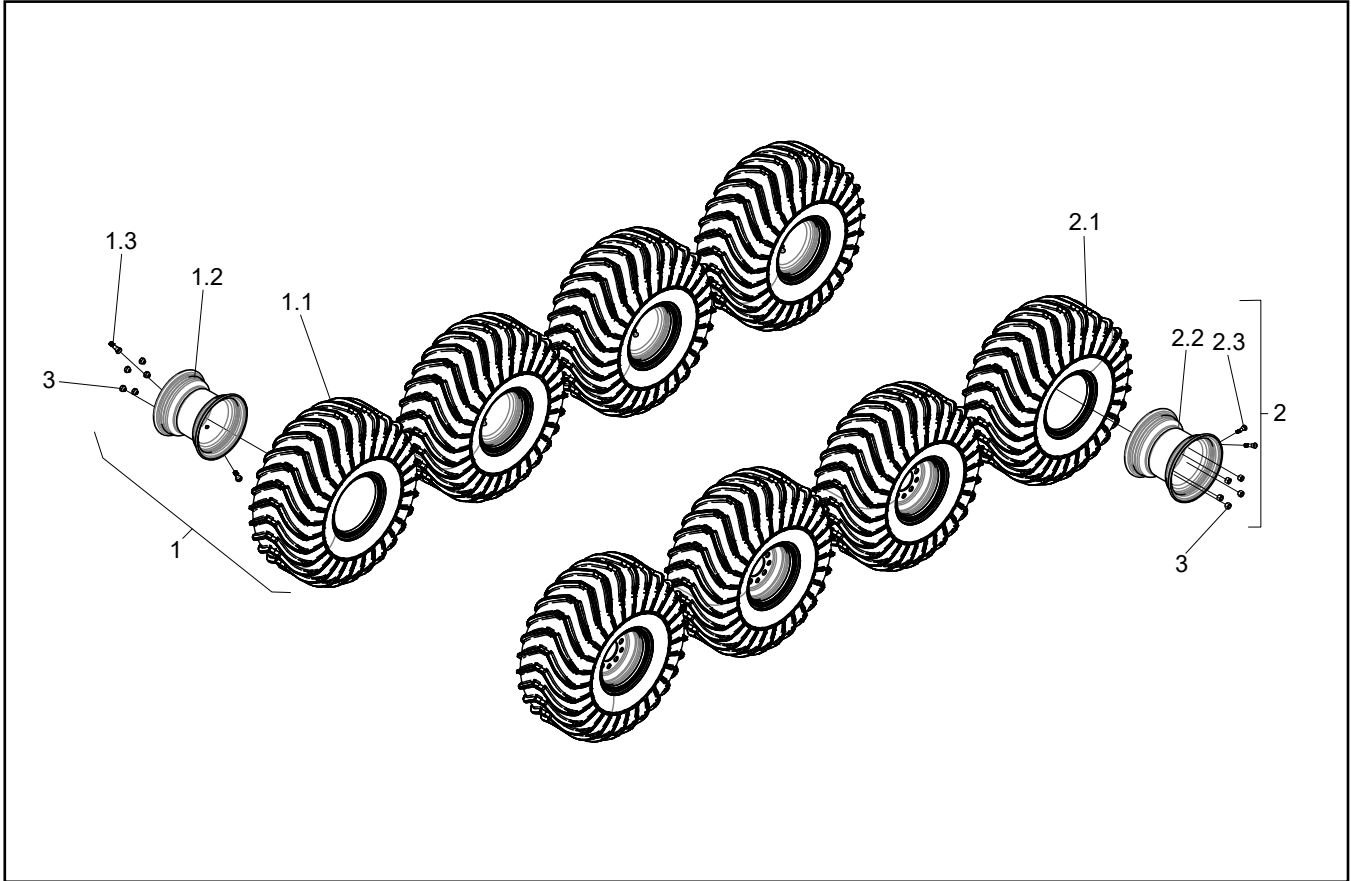
Ref.	Qty.	Part #	Description
1	1	126-100	FUEL CAP, TETHERED
2	1	609-50	CLAMP, ROLLOVER VALVE
3	1	609-47	VALVE, ROLLOVER
4	3	120-13	RIVET - 3/16 x 3/4 BLACK
5	1	126-93	CLAMP, NYLON WIRE - 1/2" ID
6	1	126-101-15	HOSE, VENT 3/16" ID 15"
7	6	100-64	TIE WRAP - 5.5" - BLACK
8	1	10639C	CLAMP, 1-EAR 58.8-62 MM
10	1	400-0116	NECK WLDT,FILL-FUEL
12	2	400-0114	STRAP, FUEL TANK
14	1	200-0141	CLAMP, 1-EAR 42.3-45.5 MM
19	3	400-0139	PAD,FOAM-3"X8"
20	2	400-0140	PAD,FOAM-1.25"X10"
21	1	400-0113	ADAPTOR-FUEL NECK
22	1	400-0112	TANK,FUEL
23	1	400-0129	SEAL,FUEL PUMP
24	1	400-0130	RING,MNT-FUEL PUMP
25	1	400-0118	PICK-UP ASM,FUEL
26	1	200-0064-88	HOSE, FUEL - 1/4" ID - 88"
27	6	112-95	HHCS M5x0,8x10mm ZN
28	1	200-0137	FITTING,QUICK CONNECT-FML
29	1	112-78	CLAMP, HOSE 9/16" BLACK
30	1	608-69-15	HOSE, FUEL - 5/16" ID, CARB 15"
31	1	808-133	REDUCER, BARBED - 5/16 TO 1/4
32	1	200-0064-95	HOSE, FUEL - 1/4" ID - 95"
33	2	112-79	CLAMP, HOSE 1/2" BLACK
34	1	200-0140	CLAMP, 1-EAR 12.8-15.3 MM
35	3	117-127	LOCKNUT, NYLON 5/16-18 ZP



Ref.	Qty.	Part #	Description
1	1	400-0032	Duct, Upper Intake - Frontier
2	1	807-77-31	Seal, Bulb - 31"
3	1	807-77-40	Seal, Bulb - 40"
4	14	120-14	Rivet - 3/16 x 5/8 Black
5	1	400-0031	Duct, Lower Intake - 8x8 FRN B&S
7	1	300-0183	Bracket, Air Duct Support
8	2	112-102	Screw, Self Drill 12-14 x 3/4"
9	2	127-24	Clamp, Nylon - 1" ID

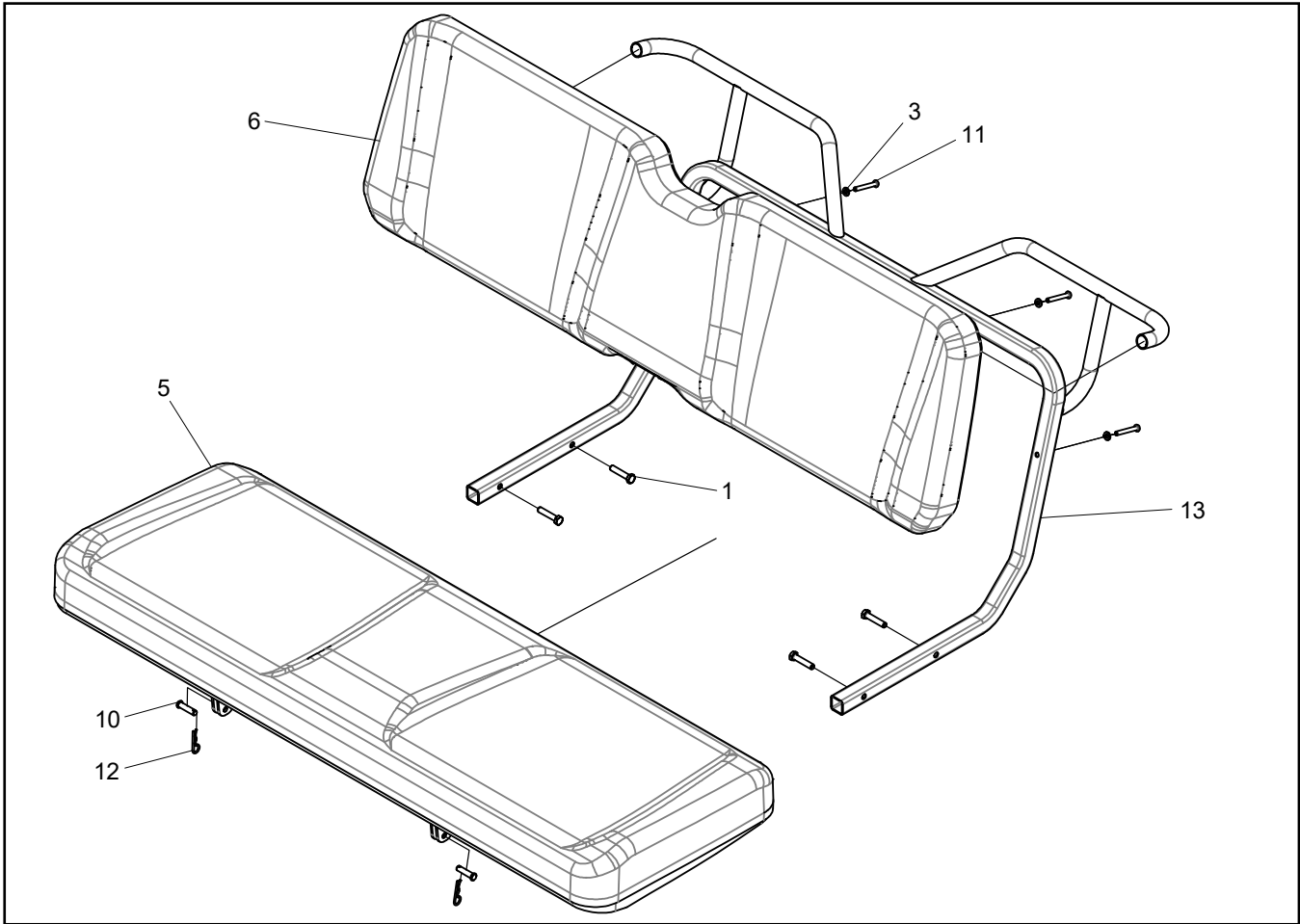


Ref.	Qty.	Part #	Description
1	1	400-0019	SPARK ARRESTOR ASSEMBLY
2	1	400-0038	SHIELD ASM, MUFFLER
3	1	400-0133	MUFFLER, B&S - 23HP
4	1	400-0148	WLDT, TAIL PIPE
5	1	300-1106	BRACKET, OUTLET PIPE
6	4	108-02	LOCKWASHER 5/16 HI-COLLAR BARE
7	4	112-30	SHCS M8x1,25x20mm ZINC
8	2	127-187	SPRING, EXT 17/32 X 3.75
9	1	10365C	CLIP, 1.75"
10	1	120-14	RIVET - 3/16 x 5/8 BLACK
11	1	809872	GASKET, EXHAUST



Ref.	Qty.	Part #	Description
1	4	10011CVRT	Wheel Asm, XT117 24x10-8 STL - Right
1.1	1	10002C	Tire, 24 x 10- 8 XT117
1.2	1	10005C	Rim, 8 x 7 Steel
1.3	2	125-26A	Valve, Tire - Unassembled
2	4	10011CVLT	Wheel Asm, XT117 24x10-8 STL - Left
2.1	1	10002C	Tire, 24 x 10- 8 XT117
2.2	1	10005C	Rim, 8 x 7 Steel
2.3	2	125-26A	Valve, Tire - Unassembled
3	40	117-35	Nut, Wheel 7/16-20 Zn

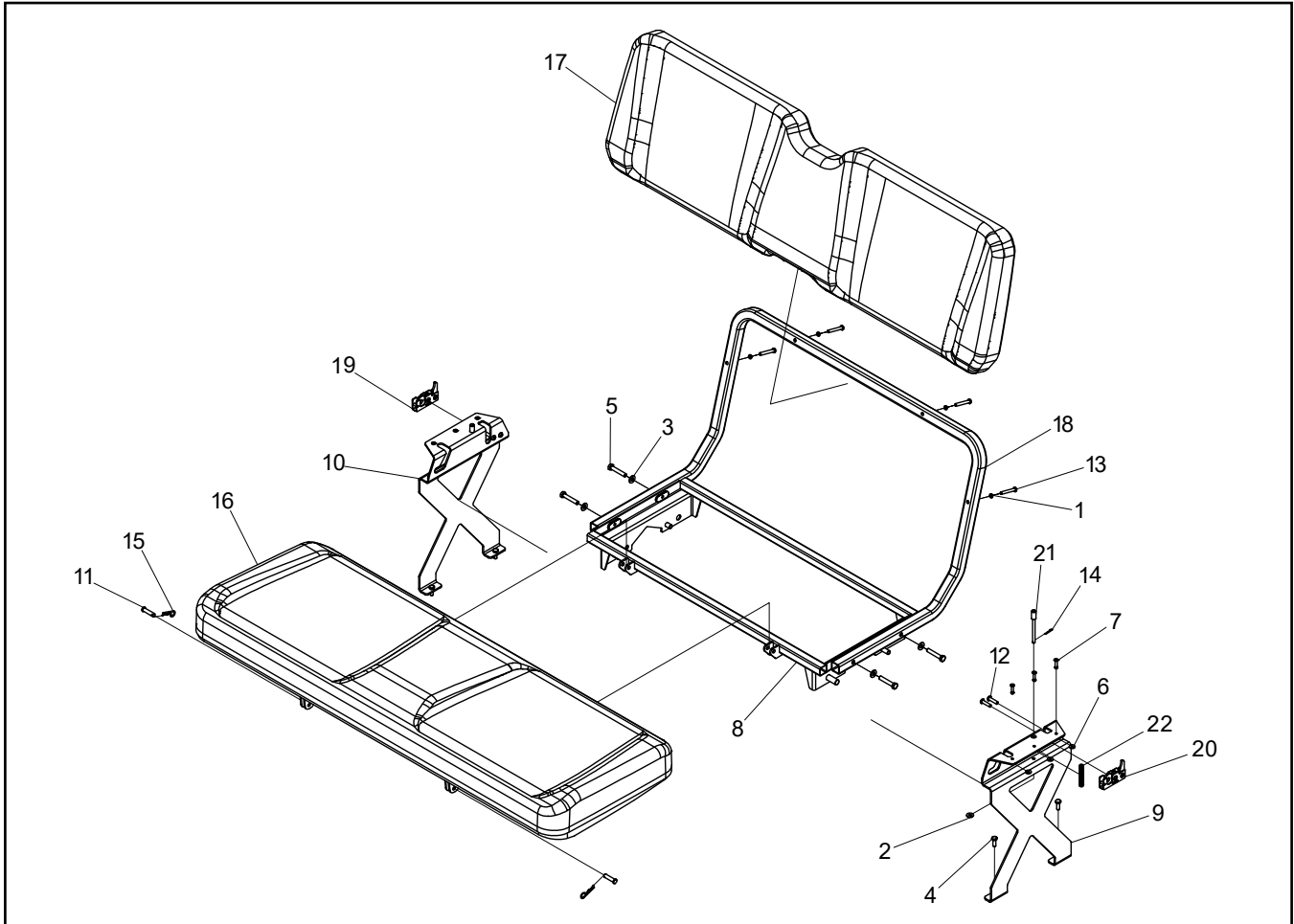




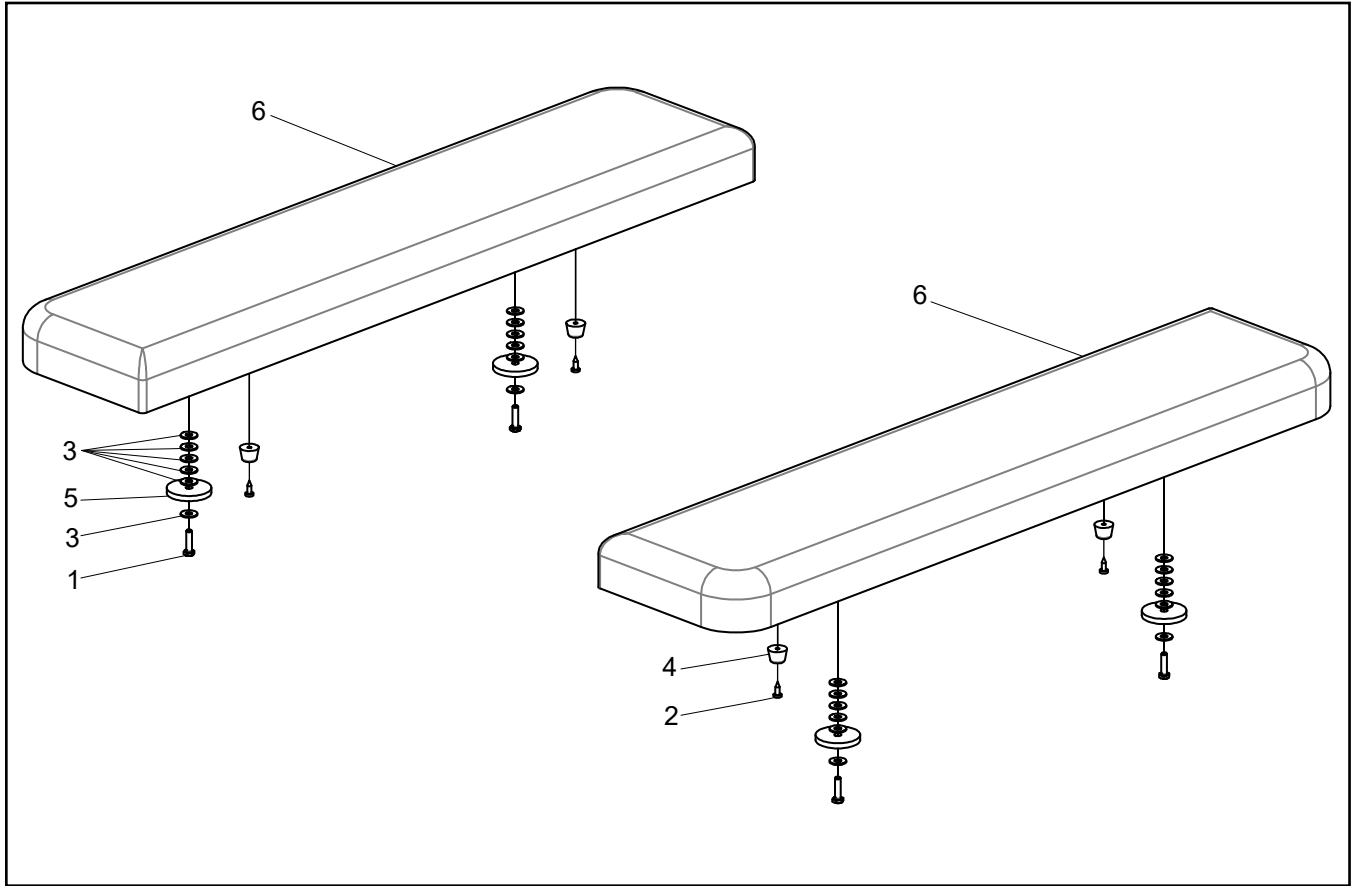
Ref.	Qty.	Part #	Description
1	4	103-57	HHCS 5/16-18x1.5 Gr5 Bnz
3	4	108-03	Lockwasher 1/4 Split Ring Zn
5	1	10339C	Seat, Bench - Formed
6	1	10340C	Seat, Backrest - Formed
10	2	10077A001	Pin, Clevis 5/16x1.25 Zn
11	4	10156A045	BHCS, M6x1.0x45 Gr8.8 Bnz
12	2	10171A002	Pin, Hairpin Ø0.093 1/4-5/16 Shaft ZP
13	1	300-0175	Tube Wldt, Backrest Frame
14	2	867-17	Plug, OD 7/8" ID 0.685"-Black

# 10.1 Seat - Rear

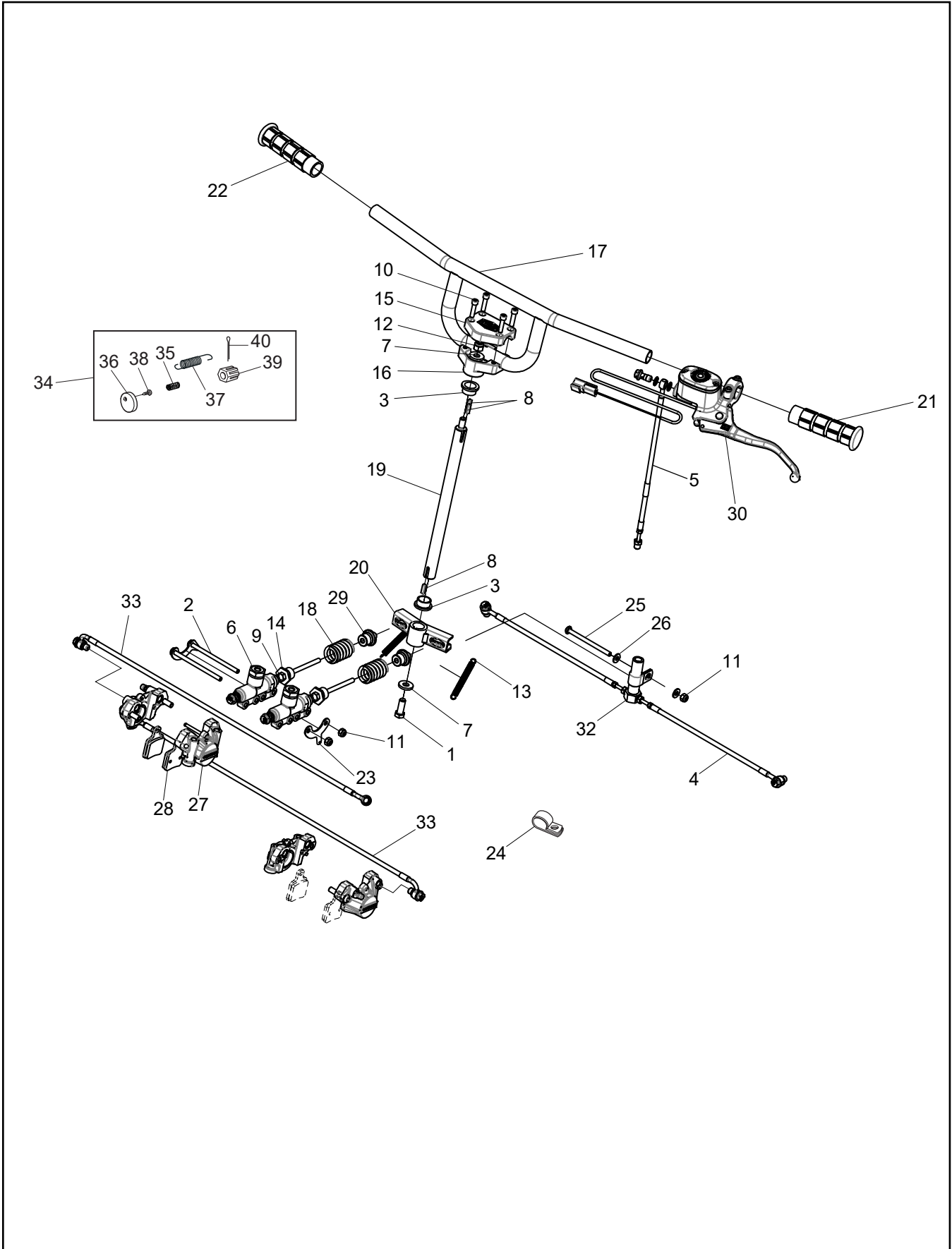
# 2022 Frontier 8x8 Parts Manual



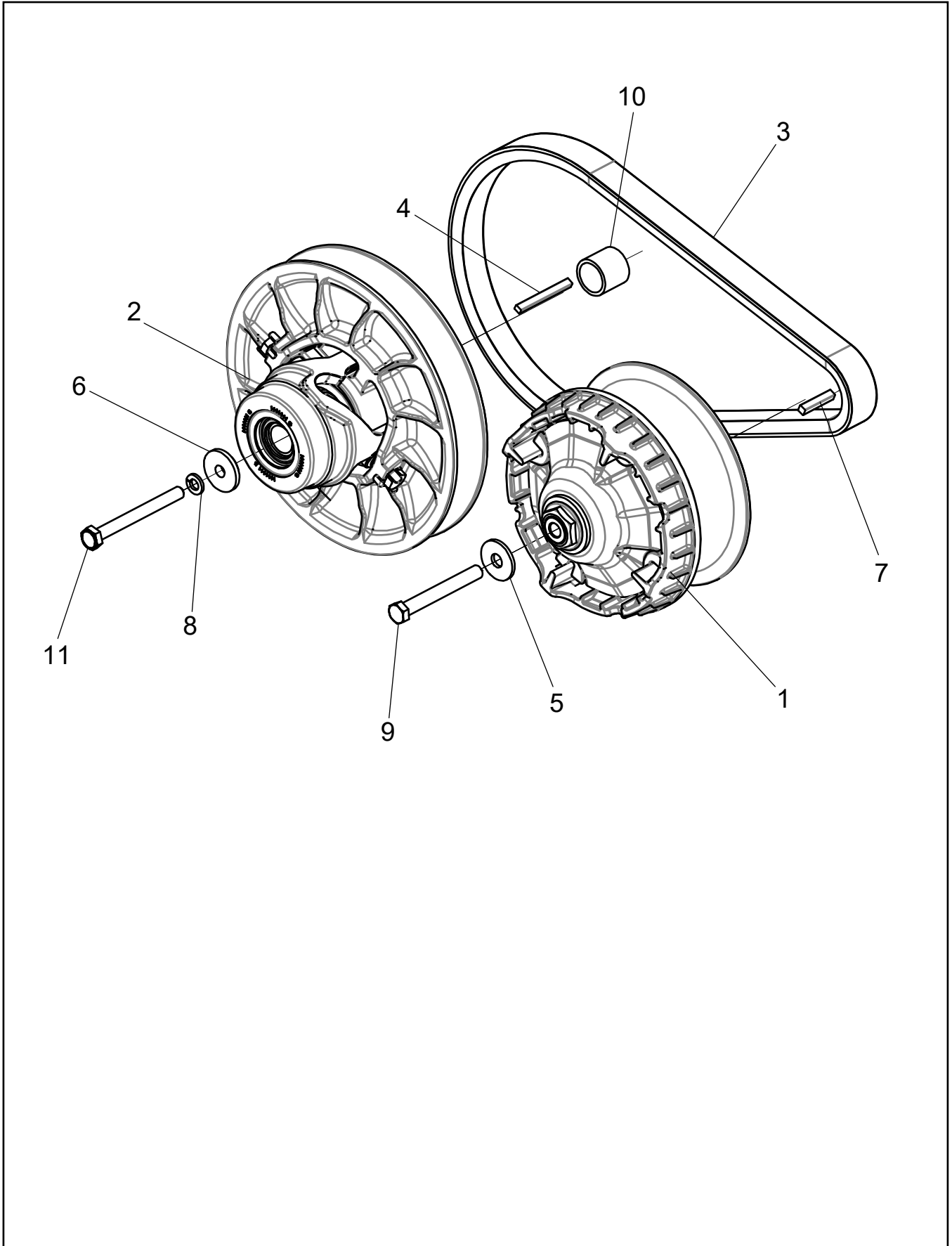
Ref.	Qty.	Part #	Description
1	4	108-03	Lockwasher 1/4 Hi-Collar Bare
2	2	108-08	Washer .28x.62x.07 Zn
3	4	108-24	Washer .34x.70x.06 Zn
4	4	112-04	HHCS 1/4-20x3/4 Gr5 Zn
5	4	112-27	HHCS 5/16-18x1.75 Gr5 Zn
6	6	120-04	Washer .19x.50x.08 Zn
7	6	120-09	Rivet - 3/16 x 1.0 Black
8	1	300-0094	Rear Seat Frame Weldment
9	1	300-0095	Brkt, Rear Seat Side Spprt - Left
10	1	300-0096	Brkt, Rear Seat Side Spprt - Right
11	2	10077A001	Pin, Clevis 5/16x1.25 Zn
12	4	10153A100	BHCS, 1/4-20-1 Gr5 Bnz
13	4	10156A045	BHCS, M6x1.0x45 Gr8.8 Bnz
14	2	10171A001	Pin, Hairpin Ø0.042 3/16-1/4 Shaft Zp
15	2	10171A002	Pin, Hairpin Ø0.093 1/4-5/16 Shaft Zp
16	1	10339C	Seat, Bench - Formed
17	1	10340C	Seat, Backrest - Formed
18	1	10341C	Tube, Backrest Frame
19	1	10403C	Rotary Latch - Right
20	1	10404C	Rotary Latch - Left
21	2	10406C	Pin, Rear Seat Popper
22	2	10407C	Spring, Compression - Rear Seat



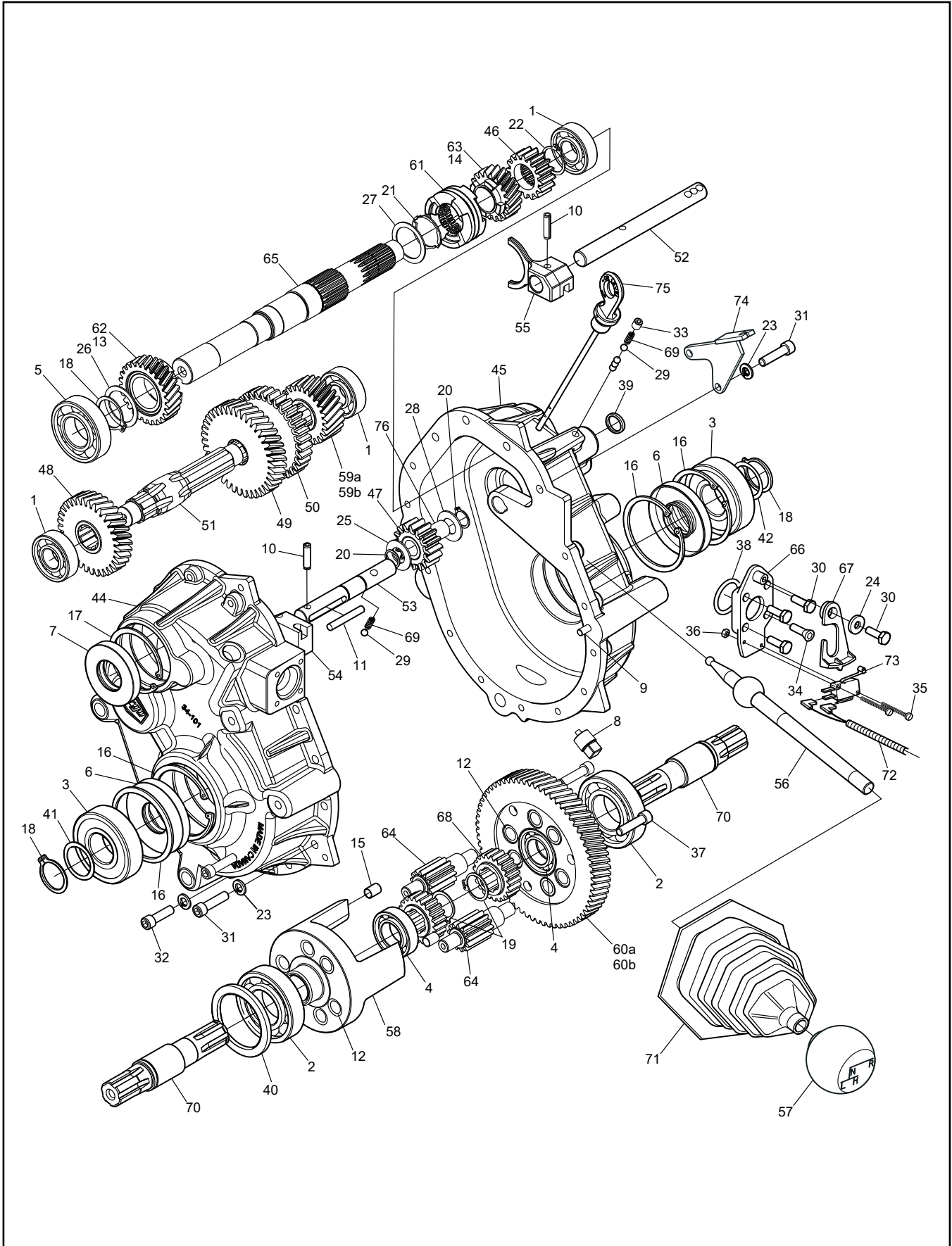
Ref.	Qty.	Part #	Description
1	4	103-08	HHCS 1/4-20x1.0 Gr5 Zn
2	4	103-48	T/S Pan Hd Phil #10x5/8 A BLK
3	24	108-25	Washer .31x.75x.06 Zn
4	4	126-79	Bumper, Plastic - Black
5	4	603-15	Washer, Plastic 5/16 Hole
6	2	700-0008	Seat Asm, Rear Side - 8x8



Ref.	Qty.	Part #	Description
1	1	103-17	HHCS 3/8-16x1.0 Gr5 Bnz
2	2	103-66	HHCS 1/4-20x4.0 Gr5 Zn
3	2	105-16	Bushing, Oilite - 3/4 x 1/2
4	2	10324C	Brake Line, Prop. Valve to RMCI
5	1	10325C	Brake Line, HBMC to Prop Valve
6	2	10373C	RMCI Assembly
7	2	108-47	Washer .39x.94x.13 Zn Di-Chro
8	3	110-17	Key, 3/16 x 3/16 x .625
9	2	10576C	Nut, Jam
10	4	112-47	SHCS 1/4-20x1.0 Zn
11	3	117-27	Locknut, Nylon 1/4-20 Zn
12	1	117-29	Locknut, Nylon 3/8-16 Bnz
13	2	127-194	Spring, Ext .360 x 3.0
14	2	10575C	Spring Perch
15	1	612-105RM	Clamp, Upper Handlebar-RM
16	1	612-106	Clamp, Lower Handlebar
17	1	612-107	Handlebar Asm
18	2	10371C	Steer Spring
19	1	10311C	Shaft, Steering
20	1	10379C	Steering Arm
21	1	10507C	Handle Bar Grip, Left
22	1	10508C	Handle Bar Grip, Right
23	2	300-0256	Bracket, Spring Retainer
24	1	200-0038-001	Clamp, P - Steel/Vinyl
25	1	103-111	HHCS 1/4-20x3.5 Zn
26	2	108-08	Washer .28x.62x.07 Zn
27	2	10375C	Steer Brake Caliper
28	2	10374C	Brake Pads & Pim - Steer Brakes
29	2	10372C	Spring Bullnose
30	1	10326C	Handle Bar Brake Lever/ Master Cylinder
31	1	10000B	Switch, Left Hand Controls (not shown)
32	1	10322C	Proportioning Valve
33	2	10323C	Brakeline RMCI To Steer Caliper
34	1	850-98	Kit, Service, Parking Brake (includes Ref. 35 - 40, not sold separately)
35	1		Cam Tension Spring (compression)
36	1		Left & Right Brake Pads
37	1		Cam Arm Spring (tension)
38	1		Brake Pad Retaining Screw
39	1		Castle Nut
40	1		Cotter Pin



Ref.	Qty.	Part #	Description
1	1	500-0094	CLUTCH, DRIVE - 53/GRN
2	1	500-0095	CLUTCH, DRIVEN - 36/PUR
3	1	127-159	DRIVE BELT, 29.6 x 1116
4	1	110-03	KEY 1/4X3/16X2.375 RC46
5	1	108-58	WASHER .47x1.37x.12 HI-CARBON
6	1	500-0104	WASHER, DRIVEN - STEPPED
7	1	500-0110	KEY, 1/4 X 1/4 X 35MM 45RC
8	1	108-06	LOCKWASHER 3/8 SPLIT-RING ZN
9	1	200-0145-350	HHCS, 7/16-20 x 3.5
10	1	500-0111	SPACER, DRIVEN
11	1	200-0146-400	HHCS, 3/8-16 x 4

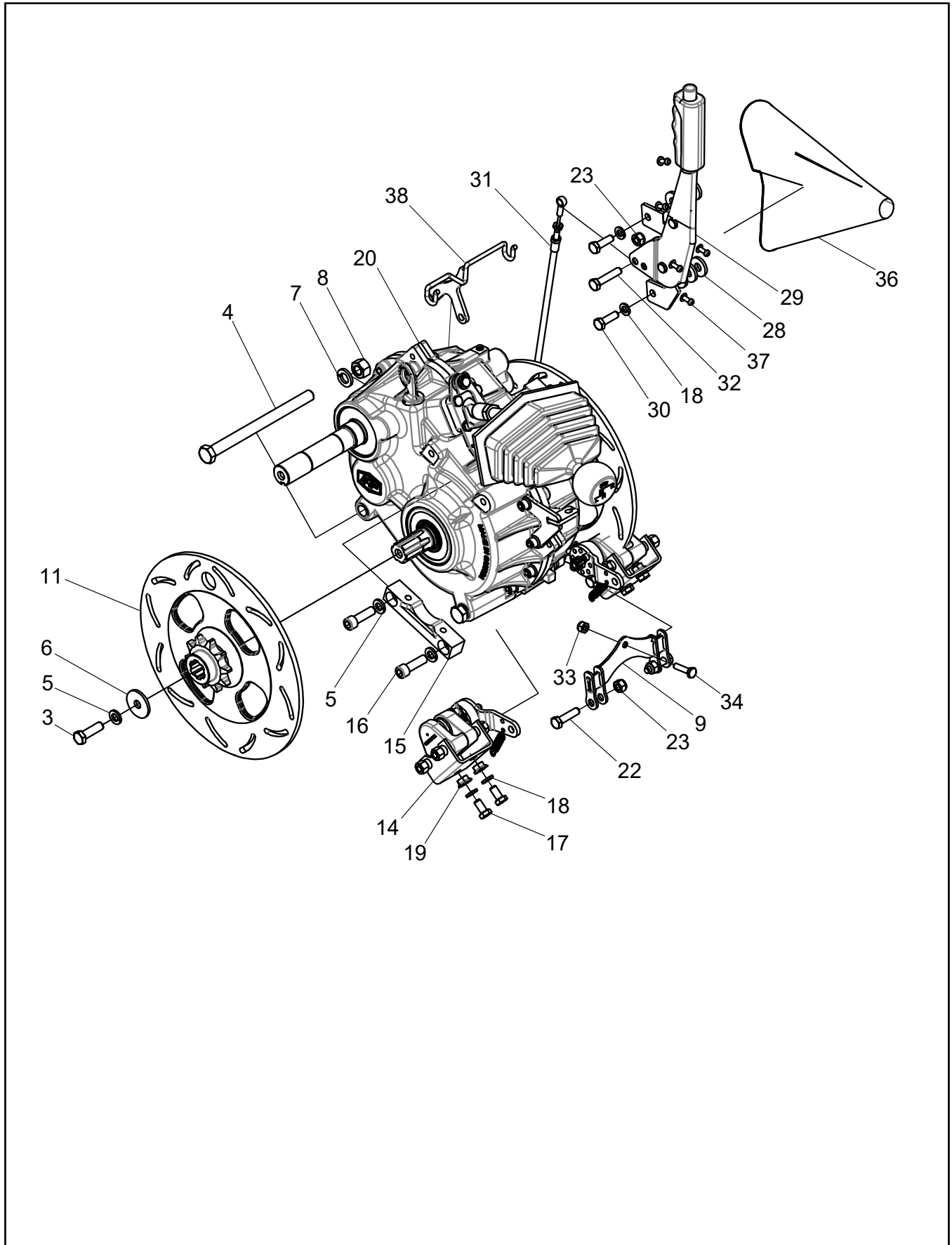




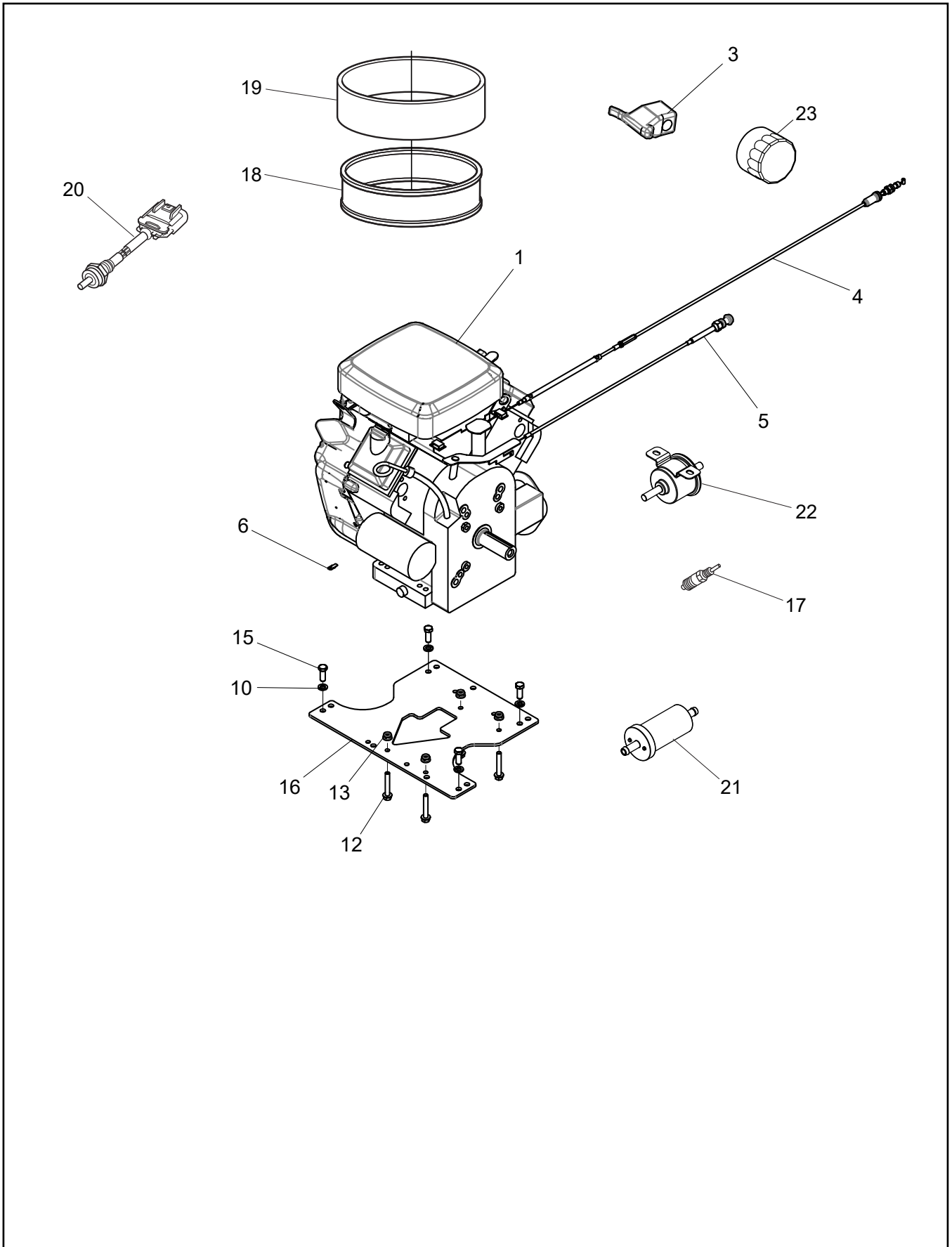
## 2022 Frontier 8x8 Parts Manual

## 13.0 Transmission

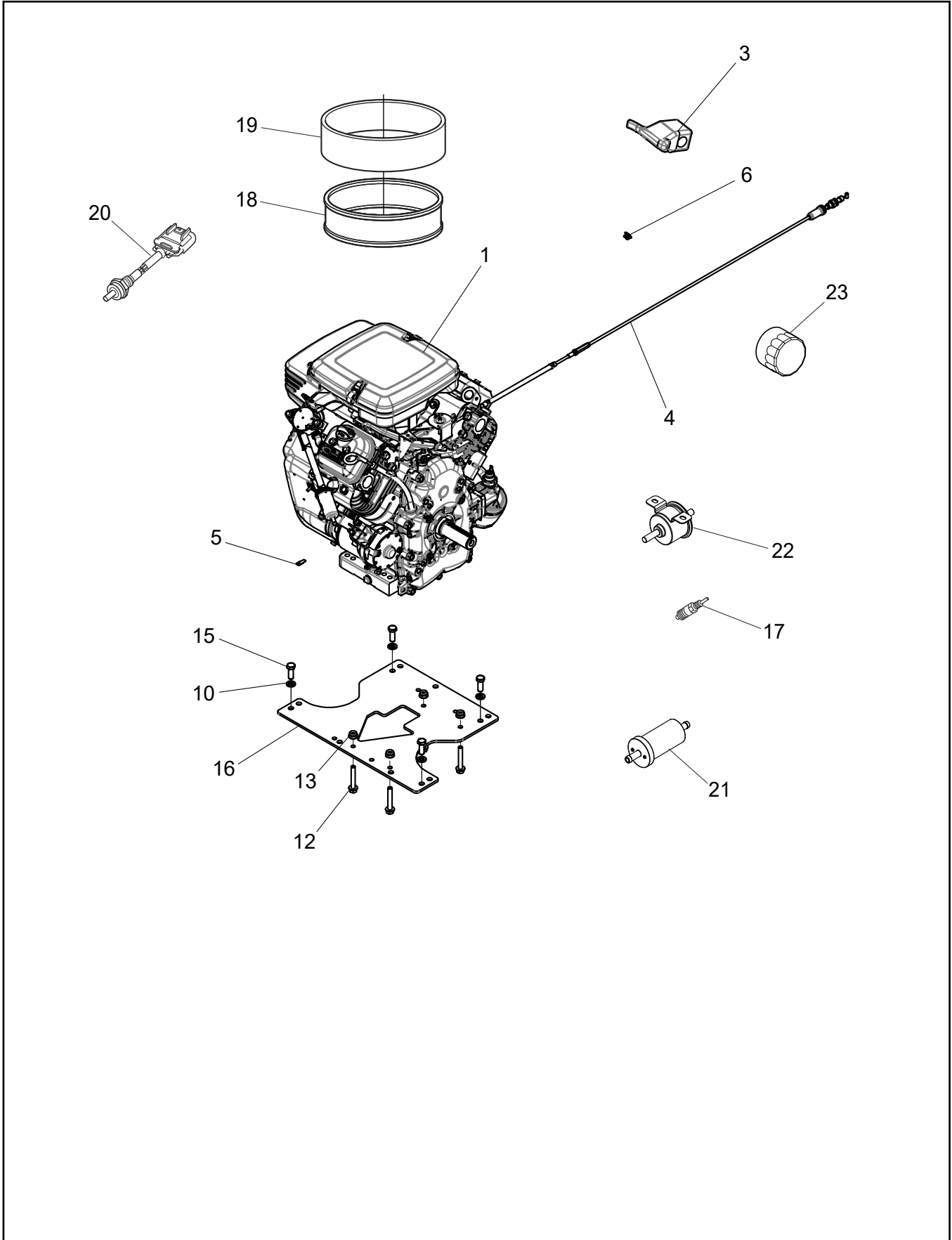
Ref.	Qty.	Part #	Description	Ref.	Qty.	Part #	Description
1	3	101-01	Bearing, Ball 6204Z-C3	40	1	114-01	Washer, Shim
2	2	101-03	Bearing, Ball 6207-C3	41	1	114-04	Washer, Shim 1.19x1.50x.04
3	2	101-05	Bearing, Sing Ball 6306L LU-C3/2A	42	1	114-05	Washer, Shim 1.19x1.50x.02
4	2	101-15	Bearing, Ball 6005-C3	43	1.1L	125-99	Transmission Oil (not shown)
5	1	101-16	Bearing, Ball 6206-C3	44	1	34-101	Housing, Left Trans.-Mach.
6	2	102-03	Seal,Oil WBS 30x72x10 NB D/Lip	45	1	34-102	Housing, Right Trans-Mach.
7	1	102-05	Seal,Oil WBS 30x62x10 NB D/Lip	46	1	34-107	Pinion, Reverse - 16T
8	1	103-02	Plug, Magnetic 3/8-18NPT SQ.HD	47	1	34-108	Idler, Reverse - 16T
9	2	104-03	Pin, Dowel 1/4x7/8	48	1	34-109	Gear, High - 33T
10	2	104-39	Pin, Spring - 1/4 x1.0	49	1	34-110	Gear, Low - 39T
11	1	104-40	Pin, Dowel - 1/4 x 1.75	50	1	34-111	Gear, Reverse - 33T
12	12	105-03	Oilite Bushing	51	1	34-112	Shaft, Splined
13	1	105-20	Bushing, Oilite 1.25x1.5x.625 (Part of 34-128)	52	1	34-113	Shaft, Shift - Forward
14	1	105-21	Bushing, Oilite 1.0x1.125x.875 (Part of 34-129)	53	1	34-114	Shaft, Shift - Reverse
15	3	105-23	Bushing, Dowel - .312 x .5	54	1	34-115	Block, Shift
16	4	106-03	Retaining Ring HO-281PA	55	1	34-116	Fork, Shift - Mach.
17	1	106-05	Retaining Ring HO-244-PA	56	1	34-117	Lever, Shift
18	3	107-02	Retaining Ring SH-0118-PA	57	1	34-344	Knob, Shift - Plain
19	2	107-04	Retaining Ring SH-0098-PA	58	1	34-122	Cage, Differential
20	2	107-11	Retaining Ring PO-0062-PA	59a	1	34-125	Pinion, Helical - 21T (3.3)
21	2	107-14	Retaining, Ring LC-0125-PA	59b	1	34-123	Pinion, Helical - 25T (std)
22	1	107-15	Retaining Ring SHR-98-PA	60a	1	34-124	Gear Plate - 66T (std)
23	15	108-05	Lockwasher 5/16 Split-Ring	60b	1	34-126	Gear Plate - 70T (3.3)
24	1	108-08	Washer .28x.62x.07	61	1	34-127	Clutch, Dog
25	1	108-78	Washer, Thrust .63x1.19x .063	62	1	34-128	Pinion, High - 26T
26	1	108-79	Washer, Thrust 1.25x1.63x.050	63	1	34-129	Pinion, Low - 20T
27	1	108-85	Washer, Retaining Thrust	64	6	34-13	Gear, Planet - 12T
28	1	108-88	Washer, Retaining Thrust	65	1	34-130	Shaft, Input-19/15T Spline
29	5	109-05	Ball, Steel 6mm 62-67 Rc	66	1	34-131	Plate, Shifter/Neutral Start
30	4	112-04	HHCS 1/4-20 x 3/4 Gr2 Zn	67	1	34-132	Follower, Neutral Start
31	14	112-143	SHCS 5/16 x 1.25 Zn	68	2	34-14	Sun Gear
32	1	112-144	SHCS 5/16 x 1.0 Zn	69	2	34-32	Spring, Comp. 0.22x.50
33	1	112-145	SHSS 5/16-18 x 3/8	70	2	34-98	Shaft, Output
34	1	112-171	FHSC 1/4-20 x 3/4 Gr2 Zn	71	1	609-38	Boot, Shifter
35	2	112-172	SHMS, #5-40x3/4, Zn	72	1	613-112	Wire Harness,Neutral Safety
36	2	112-173	Locknut, #5-40, Zn	73	1	809-202	Switch, Limit - 2 Pole
37	3	112-64	SHCS 5/16-18x1.25	74	1	850-72	Bracket, Park Brake Cable
38	1	113-11	O-Ring #AS568-216-70BN	75	1	CE-035	Dipstick w/Breather
39	1	113-16	O-Ring #AS568-014-70BN	76	1	101-06	Bearing Needle,Timken BH- 1012



Ref.	Qty.	Part #	Description
3	2	103-18	HHCS 3/8-24x1.25 Gr5 Zn
4	2	103-20	HHCS 1/2-13x6.50 Gr5 Zn
5	6	108-06	Lockwasher 3/8 Split-Ring Zn
6	2	108-18	Washer .40x1.37x.12 Zn
7	2	108-107	Lockwasher 1/2 Split-Ring Zn
8	2	117-06	Nut, Fin Hex 1/2-13 Zn
9	1	300-0054	Bar, Equalizer
11	2	606-74	Disc, Brake - #60-10T Sprocket
13	1	800-0007	Caliper, Park Brake - Right
14	1	800-0008	Caliper, Park Brake - Left
15	2	10307C	Mount, Brake Caliper
16	4	103-41	SHCS 3/8-16x1.25 Zn
17	4	103-28	HHCS 5/16-18x5/8 Gr5 Zn
18	6	108-05	Lockwasher 5/16 Split-Ring Bnz
19	4	112-277	Locknut, Serrated Flange 5/16-18 Zn
20	1	500-0015	Transmission, Classic - 2.6
	1	500-0016	Transmission, Classic - 3.3
22	2	103-38	HHCS 5/16-18x1.25 Gr5 Zn
23	3	117-127	Locknut, Nylon 5/16-18 ZP
25	1	10119B	Switch, Micro Roller Lever Long
26	2	112-172	SHCS 5-40x3/4 Zn
27	2	112-173	Locknut, #5-40, Zn
28	6	108-47	Washer .39x.94x.13 Zn Di-Chro
29	1	809-147	Lever, Parking Brake
30	2	103-06	HHCS 5/16-18x1.0 Gr5 Zn
31	1	800-0009	Cable, Parking Brake - Dash
32	1	103-57	HHCS 5/16-18x1.5 Gr5 Zn
33	1	117-27	Locknut, Nylon 1/4-20 Zn
34	1	103-08	HHCS 1/4-20x1.0 GR5 Zn
36	1	700-0067	Boot, Parking Brake Handle
37	6	120-13	Rivet - 3/16 x 3/4 Black
38	1	300-0906	Bracket,Support - Brake Hose



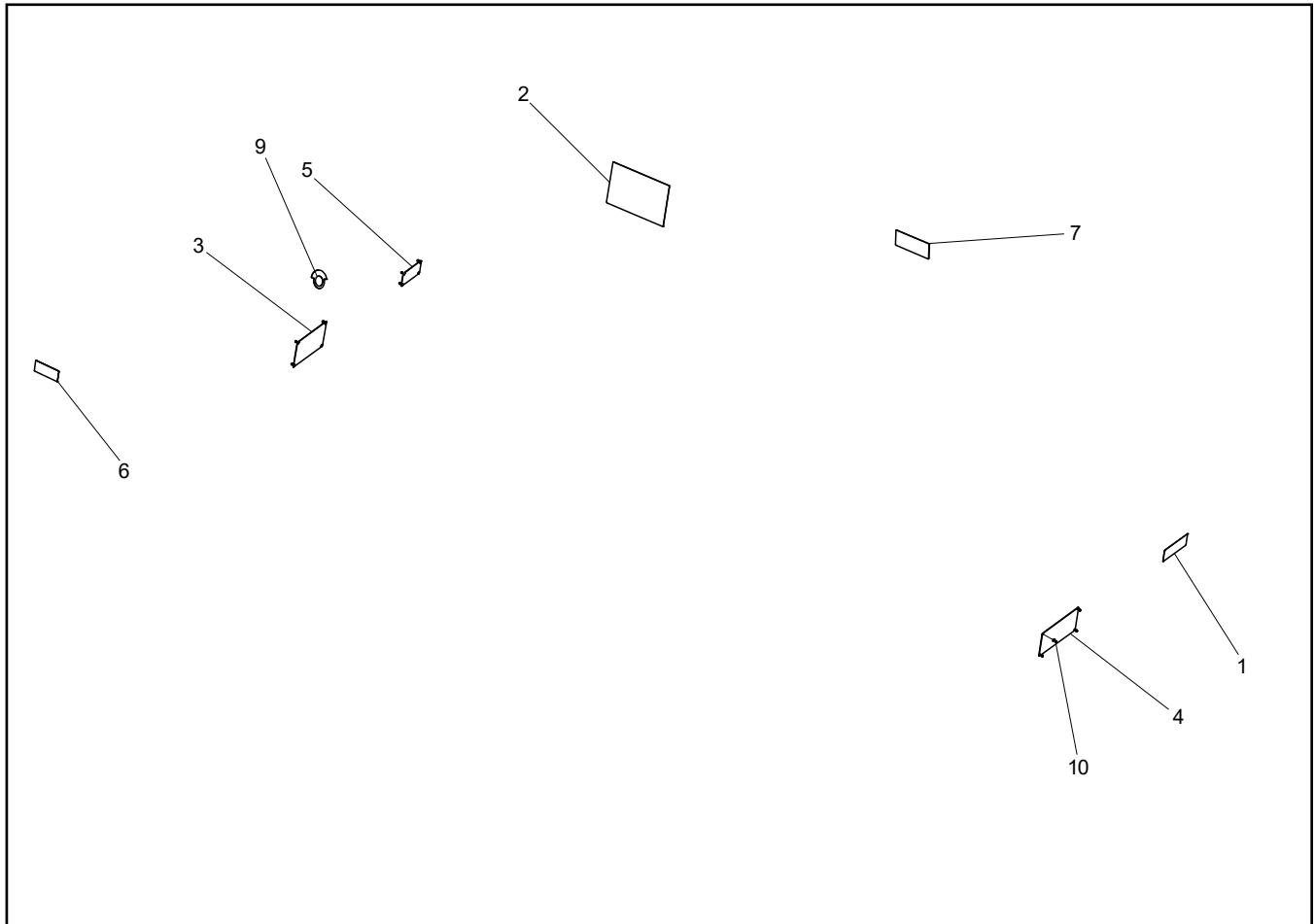
Ref.	Qty.	Part #	Description
1	1	400-0089	ENGINE, 23HP B&S - 3864473332G1
3	1	10509C	THROTTLE, FINGER
4	1	10040C	CABLE, THROTTLE - FINGER
5	1	400-0036	CABLE, CHOKE
6	1	10120B003	MALE TAB ADAPTER, #10 RING TONGUE
10	4	108-06	LOCKWASHER 3/8 SPLIT-RING ZN
12	4	200-0111-200	HWHCS 5/16-18x2.00 GR8 YZN
13	4	200-0112-031	HXFNN, 5/16-18 GR8 YZN
14	1	100-93	OIL, MOTOR - 10W30
15	4	103-17	HHCS 3/8-16x1.0 GR5 ZINC
16	1	300-1087	PLATE, ENGINE MOUNT
17	1	400-0054	SPARK PLUG
18	1	692519	FILTER, A/C CARTRIDGE
19	1	692520	FILTER, PRE CLEANER
20	1	593870	SENSOR, OXYGEN
21	1	400-0001	FUEL FILTER, BRIGGS
22	1	400-0002	FUEL PUMP, BRIGGS
23	1	842921	FILTER, OIL



Ref.	Qty.	Part #	Description
1	1	400-0056	ENGINE, B&S 23HP - 38E3470108G1
3	1	10509C	THROTTLE, FINGER
4	1	10040C	CABLE, THROTTLE - FINGER
5	1	10120B003	MALE TAB ADAPTER, #10 RING TONGUE
6	1	127-93	PLUG, BLACK NYLON - 7/16" ID
10	4	108-06	LOCKWASHER 3/8 SPLIT-RING ZN
12	4	200-0111-200	HWHCS 5/16-18x2.00 GR8 YZN
13	4	200-0112-031	HXFNN, 5/16-18 GR8 YZN
14	1	100-93	OIL, MOTOR - 10W30
15	4	103-17	HHCS 3/8-16x1.0 GR5 ZINC
16	1	300-1087	PLATE, ENGINE MOUNT
17	1	400-0054	SPARK PLUG
18	1	692519	FILTER, A/C CARTRIDGE
19	1	692520	FILTER, PRE CLEANER
20	1	593870	SENSOR, OXYGEN
21	1	400-0001	FUEL FILTER, BRIGGS
22	1	400-0002	FUEL PUMP, BRIGGS
23	1	842921	FILTER, OIL

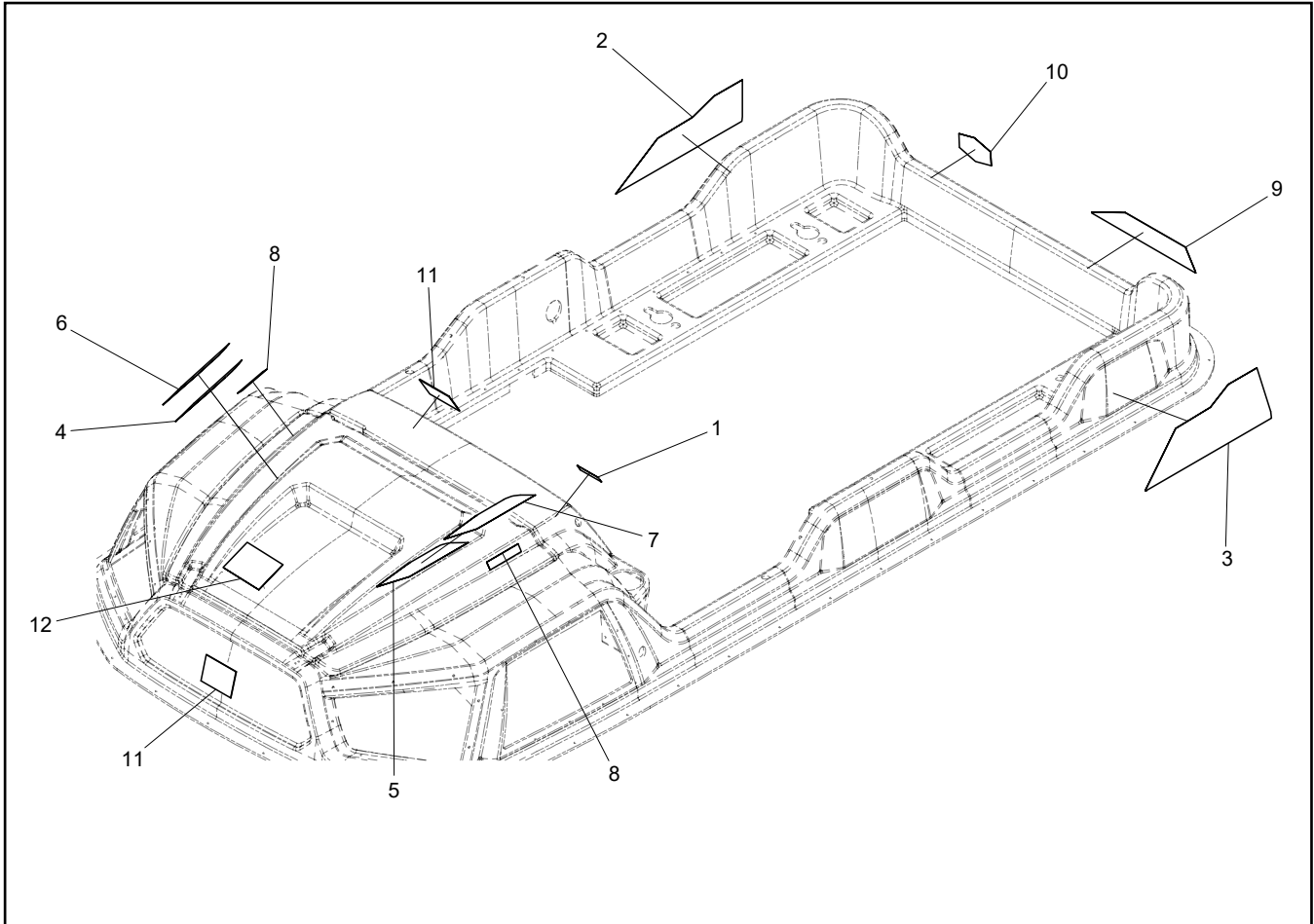
# 15.0 Labels

# 2022 Frontier 8x8 Parts Manual



Ref.	Qty.	Part #	Description
1	1	700-0285	LABEL, FLOOR PAN
2	1	700-0288	LABEL, OPERATION
3	1	129-08	PLATE, PIN - BLANK
4	1	129-09	PLATE, CAPACITY - BLANK
5	1	129-14	PLATE, SHIFT PATTERN - CLASSIC
6	1	700-0289	LABEL, WARNING HOT
7	1	700-0286	LABEL, FUEL
9	1	10549C	LABEL, IGNITION
10	12	120-24	RIVET, ALUM - 3/32 x 3/8 BLACK





Ref.	Qty.	Part #	Description
1	1	700-0023	DECAL, APS - 3.00 X 0.88
2	1	700-0389	DECAL, FRN 8X8 - RIGHT REAR
3	1	700-0390	DECAL, FRN - LEFT REAR
4	1	700-0397	DECAL, FRN 650 8X8 - RIGHT HOOD
5	1	700-0398	DECAL, FRN 650 8X8 - LEFT HOOD
6	1	700-0399	DECAL, FRN 700 8X8 - RIGHT HOOD
7	1	700-0400	DECAL, FRN 700 8X8 - LEFT HOOD
8	2	700-0401	DECAL, FRN - SCOUT
9	1	700-0402	DECAL, FRN - REAR
10	1	700-0427	DECAL, ARGO GREY - 4.50X3.00
11	2	10503C	DECAL, SHIELD DOMED
12	1	10610C	DECAL - ARGO SHIELD - FLAT

# 15.2 Labels, By Region

# 2022 Frontier 8x8 Parts Manual

MAIN RELAY	LIGHTS DIMMER RELAY	ACCESSORIES RELAY	OPTION A RELAY	INDEX
ECM	OPTION A	MODULATED OPTION A	OPTION A	CHIME
STARTER SW	OPTION A	OPTION A	OPTION A	CHIME
WIPER SW	WIPER SW	WIPER SW	WIPER SW	STARTER
WIPER SW	WIPER SW	WIPER SW	WIPER SW	STARTER

1

RELAY PRINCIPAL	RELAY AMPLIFICATION LAMP	RELAY ACCESSORIES	RELAY OPTION A	INDEX
ECM	OPTION B	OPTION B	OPTION B	CHIME
STARTER SW	OPTION B	OPTION B	OPTION B	CHIME
WIPER SW	WIPER SW	WIPER SW	WIPER SW	STARTER
WIPER SW	WIPER SW	WIPER SW	WIPER SW	STARTER

2

Component part	Part number	Part description	Component part (V)	Part number
ECM	Option A	Option A	Option A	Option A
STARTER SW	Option A	Option A	Option A	Option A
WIPER SW	Option A	Option A	Option A	Option A
WIPER SW	Option A	Option A	Option A	Option A

3

**AVERTISSEMENT**

LISEZ ATTENTIVEMENT CE QU'IL Y A EN HAUT DE CE DOCUMENT OU SUR LES ÉCRANS ET LES ÉCRANS DE VOTRE VÉHICULE. LIREZ ATTENTIVEMENT CE QU'IL Y A EN HAUT DE CE DOCUMENT OU SUR LES ÉCRANS ET LES ÉCRANS DE VOTRE VÉHICULE.

**AVERTISSEMENT**

**CHAUD**

**AVERTISSEMENT**

Conservation des panneaux de jonction en position. Les câbles mal placés pourraient causer des blessures graves.

Part	Part number	Part description	Component part (V)	Part number
ECM	Option A	Option A	Option A	Option A
STARTER SW	Option A	Option A	Option A	Option A
WIPER SW	Option A	Option A	Option A	Option A
WIPER SW	Option A	Option A	Option A	Option A

4

**ОСТОРОЖНО**

ЛИТЕЙТЕ ВНИМАТЕЛЬНО ТО, ЧТО НАХОДИТСЯ В НАЧАЛЕ ДОКУМЕНТА ИЛИ НА ЭКРАНАХ ВАШЕГО АВТОМОБИЛЯ. ЧИТАЙТЕ ВНИМАТЕЛЬНО ТО, ЧТО НАХОДИТСЯ В НАЧАЛЕ ДОКУМЕНТА ИЛИ НА ЭКРАНАХ ВАШЕГО АВТОМОБИЛЯ.

**ОСТОРОЖНО**

**ГОРЯЧО**

**ОСТОРОЖНО**

ВНИМАТЕЛЬНО СОХРАНИТЕ ПАНЕЛИ СОЕДИНЕНИЯ В ПОЗИЦИИ. НЕПРАВИЛЬНО ПОСЛЕДОВАТЕЛЬНО ПОДКЛЮЧЕНИЕ КАБЕЛЕЙ МОЖЕТ ПРИВЕСТИ К ТРАВМАМ.

Part	Part number	Part description	Component part (V)	Part number
ECM	Option A	Option A	Option A	Option A
STARTER SW	Option A	Option A	Option A	Option A
WIPER SW	Option A	Option A	Option A	Option A
WIPER SW	Option A	Option A	Option A	Option A

5

**Argo**

Frontier 650 8x8      Frontier 600 6x6  
 Frontier 700 8x8      Frontier 700 6x6  
 Frontier 700 Scout 8x8      Frontier 700 Scout 6x6  
 Frontier 600 6x6 i      Frontier 650 8x8 i

**OPERATOR'S MANUAL**

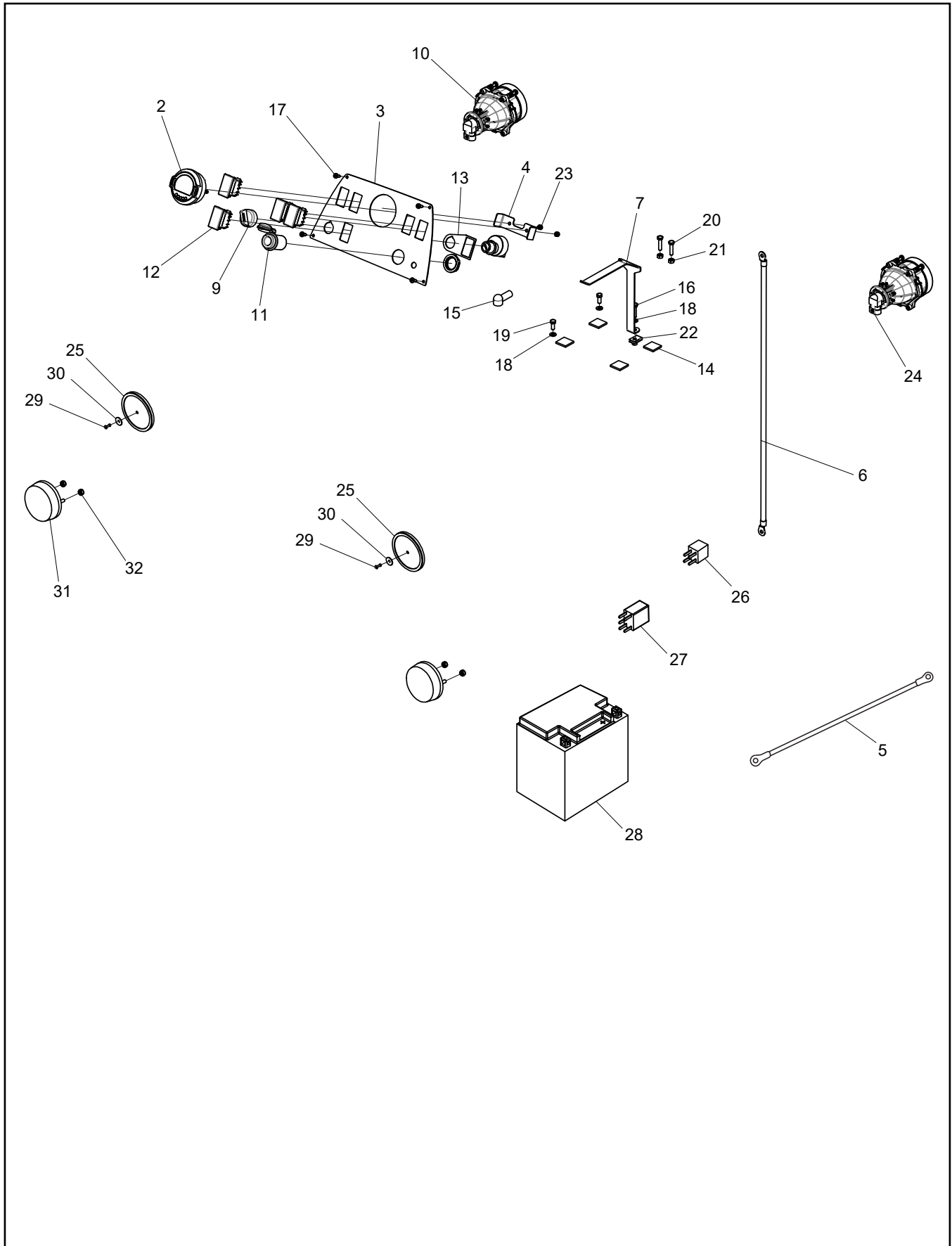
**Safety!**  
 ...always in Service!

Do not remove this manual from this vehicle.

MANUAL NO. 100-0103      Printed in Canada      08/2020

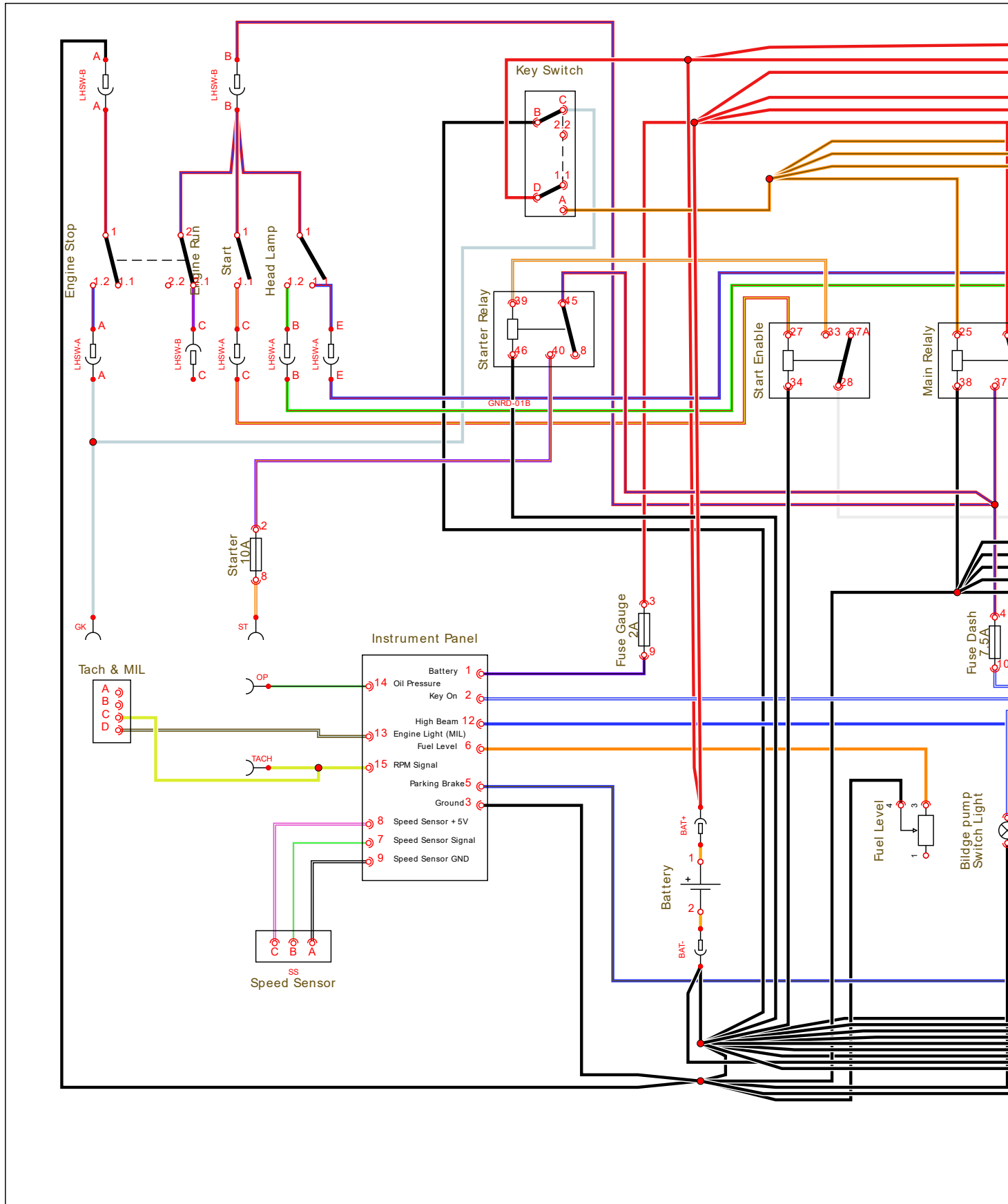
6

FUSE PANEL LABELS - EN FR RU			
Ref.	Qty.	Part #	Description
1	1	600-0041	Label, Fuse Panel
2	1	600-0041-FRE	Label, Fuse Panel, French
3	1	600-0041-RUS	Label, Fuse Panel, Russian
LABEL SHEETS - FR RU			
Ref.	Qty.	Part #	Description
4	1	10670C	Label Sheet - French
5	1	10671C	Label Sheet - Russian
OPERATOR'S MANUAL - EN			
Ref.	Qty.	Part #	Description
6	1	100-0103	Operator's Manual, Frontier

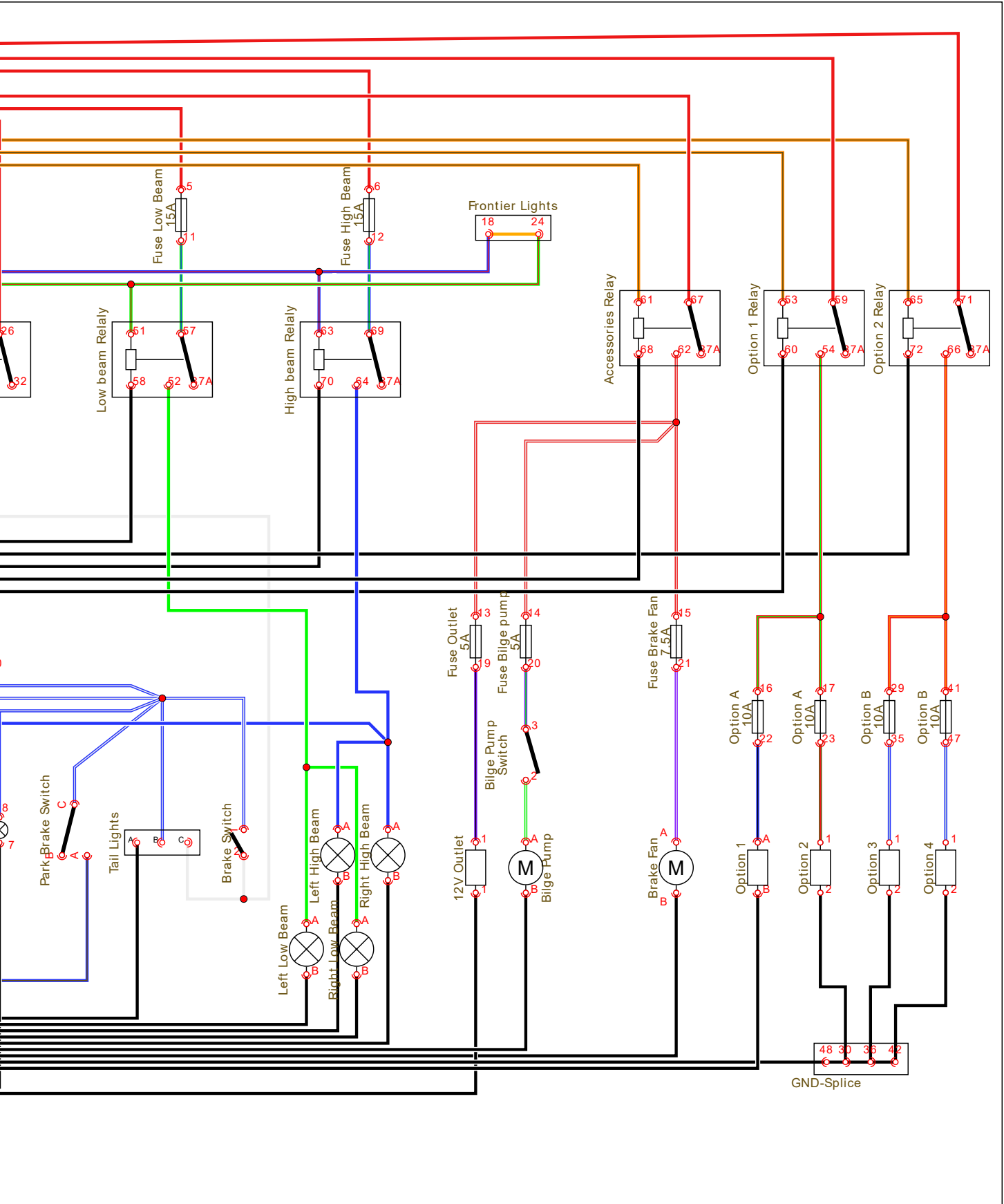


Ref.	Qty.	Part #	Description
1	1	600-0246	HARNESS, MAIN (Not shown)
2	1	600-0250	GAUGE, INSTRUMENT PANEL
3	1	700-0010	PANEL, DASH
4	1	700-0011	BRACKET, GAUGE MOUNT
5	1	10328C	CABLE, BATTERY POSITIVE
6	1	600-0212	CABLE, 4 AWG BLACK - RING 1/4-1/4
7	1	10332C	BRACKET, TIE DOWN
8	1	10000B	HANDLE SWITCH, LEFT (Not shown)
9	1	10006B	SWITCH, IGNITION
10	2	10008B	LIGHT, LOW BEAM
11	1	10016B	OUTLET, 12 VOLT
12	4	10015B	SWITCH, HOLE PLUG
13	1	10425C	SPACER, IGNITION
14	4	10331C	BUMPER, 1"X1" ADHESIVE BACKED
15	1	613-46	INSULATOR, TERMINAL (2 Ga.)
16	1	103-08	HHCS 1/4-20x1.0 BNZ
17	4	103-48	T/S PAN HD PHIL #10x5/8 A BLK
18	3	108-03	LOCKWASHER 1/4 SPLIT RING ZNC
19	2	112-118	HHCS M6x1,0x15mm
20	2	112-212	HHCS M6X1X25mm, BLACK ZINC
21	2	117-63	NUT, HEX M6x1,0 ZINC
22	1	10056A002	UNUT, 1/4-20 x .025-.150 PH
23	2	200-0039-001	HXNN, M5X0.8 GR8.8 BNZ
24	2	10622G	BULB, 60W
25	2	700-0060	REFLECTOR, REAR FRONTIER
26	1	118-79	RELAY, ULTRA MICRO, SPNO 20A
27	1	600-0044	RELAY, MICRO 280 - SPDT
28	1	10005B	BATTERY, YIX30L - 12V
29	2	120-09	RIVET - 3/16 X 1.0 BLACK
30	2	120-04	WASHER .19X.50X.08 BNZ
31	2	10007B	LIGHT, BRAKE
32	4	112-115	LOCKNUT, NYLON M6x1 ZN
33	1	600-0203	HARNESS, TAIL LIGHT

# 16.1 Main Wire Harness - Schematic 2022 Frontier 8x8 Parts Manual



# 2022 Frontier 8x8 Parts Manual 16.1 Main Wire Harness - Schematic



# **ARGO** Products Manufactured by:

## **Ontario Drive & Gear Limited**

220 Bergey Court

New Hamburg, Ontario

Canada N3A 2J5

Phone: (519) 662-2840

[www.argoxtv.com](http://www.argoxtv.com)

**ODG** *Dedicated to quality and performance*