



Accessory Manual

Ontario Drive & Gear Limited
220 Bergey Court
New Hamburg, Ontario N3A 2J5
Phone: (519) 662-2840 Fax: (519) 662-2421
www.odg.com

Foreword

ODG has prepared this Accessory Manual to assist Argo retailers in selecting the correct replacement parts for Argo accessories.

Packaging sizes and shipping weights for the complete accessory kits is also provided for each accessory item.

All information contained in this Accessory Manual is based on the latest product specification available at time of printing. Product update information and new accessory kit information will be provided as it becomes available. This information will be provided in the form of insertion or replacement pages to be inserted in this manual.

ODG reserves the right to alter specifications of any of the accessory items at any time, without obligation or prior notification.

Reproduction of this Accessory Manual No. 677-01, in part or in whole, is prohibited without prior written permission from Ontario Drive & Gear Limited.

Explanation of Manual Format

- | | |
|--------------------|---|
| Ref | - reference number given on the parts drawing to identify the component |
| Part No. | - Argo replacement part number for identification and ordering |
| Description | - part description for identification and ordering |
| Qty | - indicates the quantity of a part number used in the accessory kit |

Parts not illustrated are not sold separately.



INDEX

Pages are not numbered to enable ODG to update individual pages as changes are made. This page, as well as the individual page being changed will be sent as changes to the accessory kits are made.

File pages as listed below:

614-06 Cargo Tie Down Kit	639-20 Handrail Kit
615-10 Tire Chain Kit (1 Pair)	642-00 Tow Hook Kit
615-36 Track Kit - 6x6 Bigfoot	642-05 Brush Guard
615-37K Standard Track Kit (Bigfoot & 6 Conquest)	642-20 Brush Guard Kit - Avenger
615-40 Track Kit - Vanguard and Vanguard2/	648-00 Windshield
815-40 Track Kit - 8x8	648-15 Roll Bar Kit - 6x6
615-42K/815-42K Standard Track Kit	648-40 Roll Over Protective Structure (ROPS)
617-00 Outboard Motor Bracket - Wood	648-70 Wiper Kit, Windshield
618-00 Outboard Motor Support - Steel	648-75 Windshield
618-10 Outboard Motor Bracket - Side Mount	648-80 Windshield - Avenger
619-10 Tire Gauge (0-15 PSI)	649-33T (Tundra), 649-33 (Charcoal) Half Top
621-20/821-20 Storage Cover (Not for Highway Use)	649-50 (Tundra), 649-50C (Charcoal) Top
621-30 Pouch	650-60 Alternator Kit - Vanguard and Vanguard2
622-21 Winch Mounting Kit	850-60 Alternator Kit - Response and Bigfoot
622-40 Winch and Mounting Kit/	657-01 Snowplow Kit
622-34 Solenoid c/w Jumper Wire	657-13 & 657-21 (Avenger) Snowplow Kit
622-60 Remote Control Kit	663-10 Skid Plate Kit
622-70 Winch and Mounting Kit/	663-11K Skid Plate Kit
622-34 Solenoid c/w Jumper Wire	663-11P Skid Plate Kit
622-78 Winch Mounting Kit	695-75BL Trailer Kit
622-80 Winch Kit	695-80BL Trailer Kit
633-25 12 Volt Outlet Kit	821-25 Utility Bracket Kit
624-00 Dual Taillight Kit	821-30 Utility Rack Kit
624-10 Brake Taillight Kit - Avenger	821-35 Utility Rack Kit
625-00/825-00 Super Track Kit	825-50 Rubber Track Kit - Avenger
625-10 Rear Mud Flap Kit	835-00 Powered Dump Box Kit
625-20/825-20 Ice Cleat Kit (6x6 & 8x8)	835-01 Manual Dump Box Kit
625-22/825-22 Ice Cleat Kit (6x6 & 8x8)	839-20 Handrail Kit
625-36 Super Track Kit - 6x6 Bigfoot	839-30 Handrail Kit - Avenger
625-37K Super Track Kit	848-10 Heater Kit - Conquest
625-40 Super Track Kit - Vanguard and Vanguard2/	848-40-2 Roll Over Protective Structure (ROPS)
825-40 Super Track Kit - 8x8	848-40-4 Roll Over Protective Structure (ROPS)
625-42K/825-42K Super Track Kit	849-50 (Tundra), 849-50C (Charcoal) Top
626-10 Trailer Hitch Kit	849-60 Rear Bench Seat
632-15 Hourmeter	849-90-2, 849-90-4 Roll Over Protective Structure (ROPS)
633-10 Voltmeter	850-40 Alternator Kit - Conquest
633-25 12 Volt Outlet Kit	863-10 Skid Plate Kit - 8x8
638-02 Oil Change Pump	
638-25 Bilge Pump Kit	



ARGO ACCESSORIES	Vanguard Vanguard 2	BigFoot 6x6	Conquest 6x6	Response 8x8	Conquest 8x8
-------------------------	--------------------------------	------------------------	-------------------------	-------------------------	-------------------------

COMFORT

Cargo Tie Down Kit	614-06	614-06	614-06	614-06	614-06
Convertible Top	649-50	649-50	649-50	849-50	849-50
Dual Tail Light Kit	624-00	624-00	624-00	624-00	624-00
Handrail Kit	639-20	639-20	639-20	839-20	839-20
Heater Kit	N/A	N/A	848-10	N/A	848-10
Mounting Kit (Brushguard/Winch)	622-78	622-78	622-21	622-78	622-21
Power Winch Kit	622-70	622-70	622-40	622-70	622-40
Rear Bench Seat Kit	N/A	N/A	N/A	849-60	849-60
Remote Control Kit (Winch)	622-60	622-60	622-60	622-60	622-60
Tow Hook Kit	642-00	642-00	642-00	642-00	642-00
Utility Storage Pouch	621-30	621-30	621-30	621-30	621-30
Windshield	648-75	648-75	648-75	648-75	648-75

APPLICATION IN WATER

Bilge Pump Kit	638-25	638-25	638-25	638-25	638-25
Side Mount Outboard Bracket	618-10	618-10	618-10	618-10	618-10
Outboard Motor Bracket (Wood)	617-00	617-00	617-00	617-00	617-00
Outboard Motor Support (Steel)	618-00	618-00	618-00	618-00	618-00

TRACKS

Standard Track Set	615-42K	615-37K	615-37K	815-42K	815-42K
Super Track Set	625-42K	625-37K	625-37K	825-42K	825-42K
Super Track Ice Cleat Kit	625-20	625-20	625-20	825-20	825-20

PROTECTION

Brushguard Kit	642-05	642-05	642-05	642-05	642-05
Roll Bar Kit	648-15	648-15	648-15	N/A	N/A
Rops Kit c/w 2 Seat Belts	648-40	648-40	648-40	848-40-2	848-40-2
Rops & Rear Bench Seat Kit	N/A	N/A	N/A	848-40-4	848-40-4
Skid Plate Kit	663-11K	incl.	incl.	863-10	incl.
Storage Cover	621-20	621-20	621-20	821-20	821-20

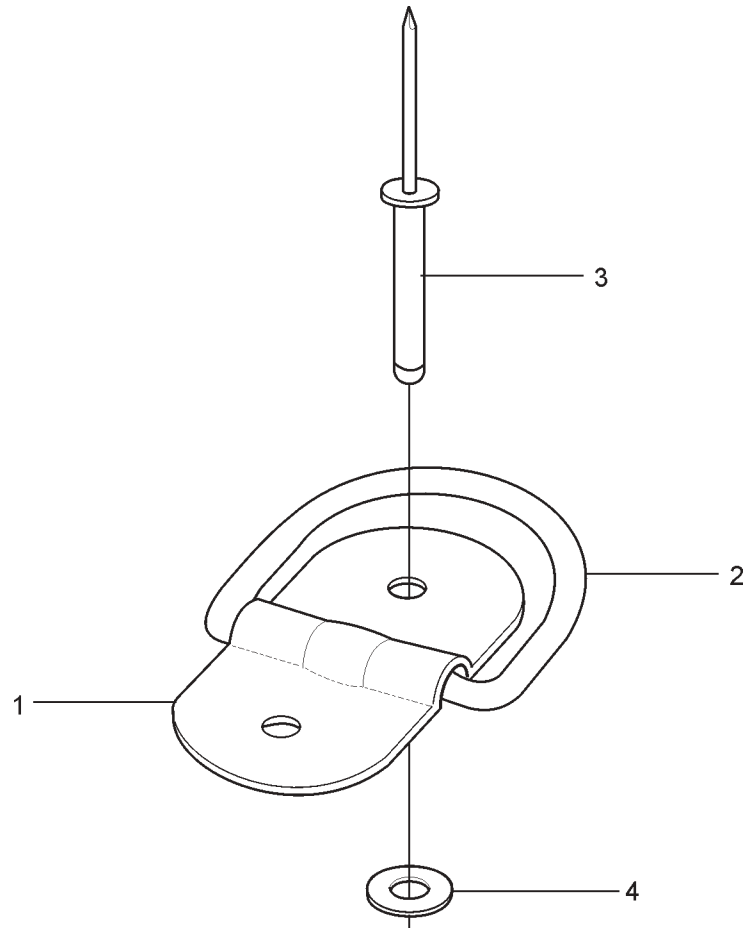
CONVENIENCE

Alternator Kit	650-60	850-60	850-40	850-60	850-40
Roll Bar Light Kit	648-50	648-50	648-50	N/A	N/A
Dump Box (Manual)	N/A	N/A	N/A	835-01	835-01
Dump Box (Powered)	N/A	N/A	N/A	835-00	835-00
Snow Plow	N/A	657-13	657-13	657-13	657-13
Trailer Kit	695-75BL	695-75BL	695-75BL	695-75BL	695-75BL
Trailer Hitch Kit	626-10	incl.	incl.	incl.	incl.

www.odg.com



614-06 Cargo Tie Down Kit



Ref.	Qty.	Part #	Description
1	6	614-04	Bracket, Tie Down
2	6	614-05	Ring, "D" - Tie Down
3	12	120-09	Rivet 3/16 x 1
4	12	120-05	Washer .195 x .500 x .40 Zn

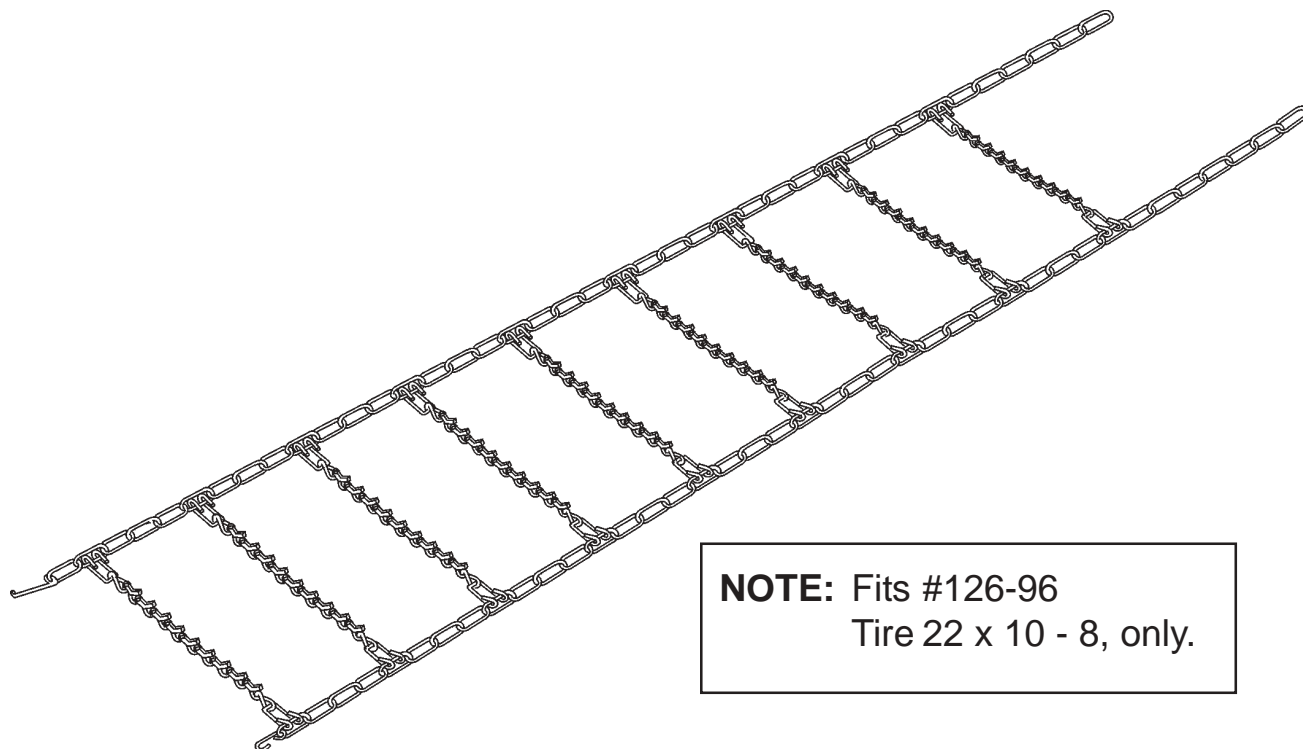
Shipping Weight and Dimensions

1 Package - Dimensional Weight: 1 lb.; Dimensions: 6"x 5"x 1"; Actual Weight: 1 lb.

Ontario Drive & Gear
Phone (519) 662-2840 Fax (519) 662-2421



615-10 Tire Chain Kit (1 Pair)



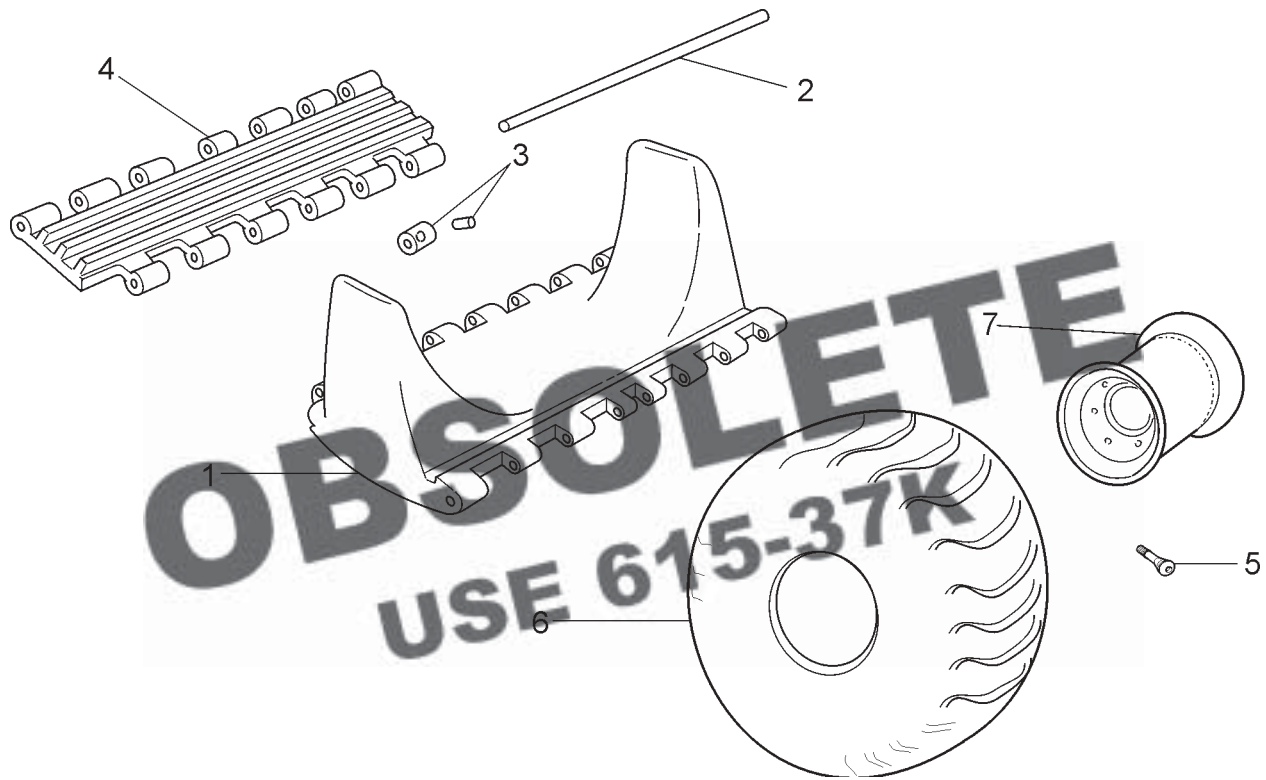
Ref.	Qty.	Part #	Description
1	2	615-10	Tire Chain

Shipping Weight and Dimensions

1 Box - Dimensional Weight: 2 lbs.; Dimensions: 13"x 6"x 3-1/2"; Actual Weight: 13 lbs.



615-36 Track Kit - 6x6 Bigfoot



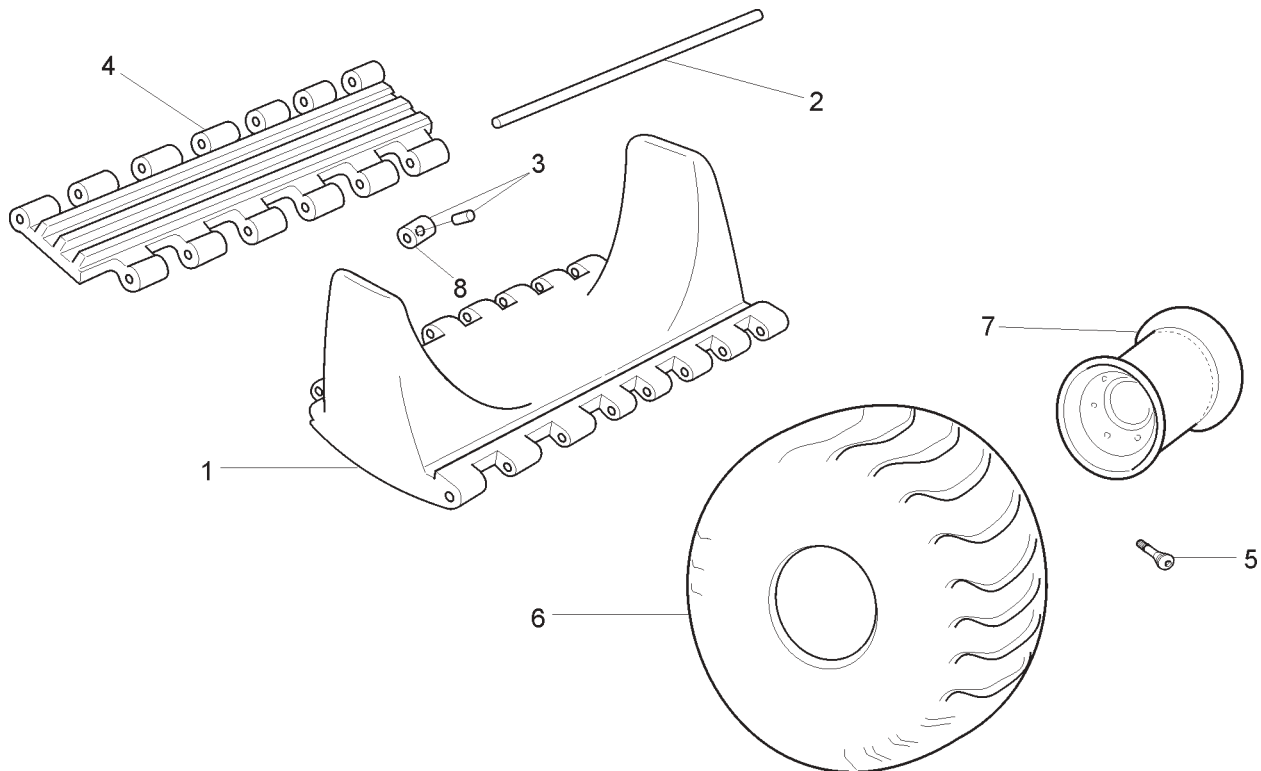
Ref.	Qty.	Part #	Description
1	58	615-41	Track Segment
2	1	615-02-6	Track Pin Set (62 pcs.) - 6x6
3	1	615-12-6	Bushing Set (62 pcs.) - 6x6 c/w Set Screws (64 pcs.)
4	2	615-21	Half Segment - Track - Plastic
5	6	125-26	Valve, Tire
6	6	126-96	Tire, Goodyear Runamuk 22x10-8
7	6	125-13C	Rim - Charcoal

Extra parts included: pins, lock bushing and SHSS #10-32 for future replacement

Shipping Weight and Dimensions

4 Boxes - Track - Dimensional Weight: 38 lbs.; Dimensions: 22" x 20" x 14"; Actual Weight: 26 lbs.
 1 Box (10 pcs. 615-41, 1 pc. 615-02-6, 1 pc. 615-12-6, 2 pcs., 615-21) - Dimensional Weight: 38 lbs.;
 Dimensions: 22" x 20" x 14"; Actual Weight: 30 lbs.
 6 pcs. - Tire and Rim - Dimensional Weight: 27 lbs. each; Dimensions: 21" x 21" x 10" each;
 Actual Weight: 20 lbs. each

615-37K Standard Track Kit (Bigfoot & 6 Conquest)



Ref.	Qty.	Part #	Description
1	58	615-42	Track Segment
2	1	615-02-6	Track Pin Set (62 pcs.) - 6x6
3	1	615-12-6	Bushing Set (62 pcs.) - 6x6 c/w Set Screws (64 pcs.)
4	2	615-21	Half Segment - Track - Plastic
5	6	125-26	Valve, Tire
6	6	126-96	Tire, Goodyear Runamuk 22x10-8
7	6	125-13C	Rim - Charcoal

Extra parts included:

615-02-6 pins(2), 615-12-6 lock bushing(3) and SHSS #10-32(8) for future replacement.

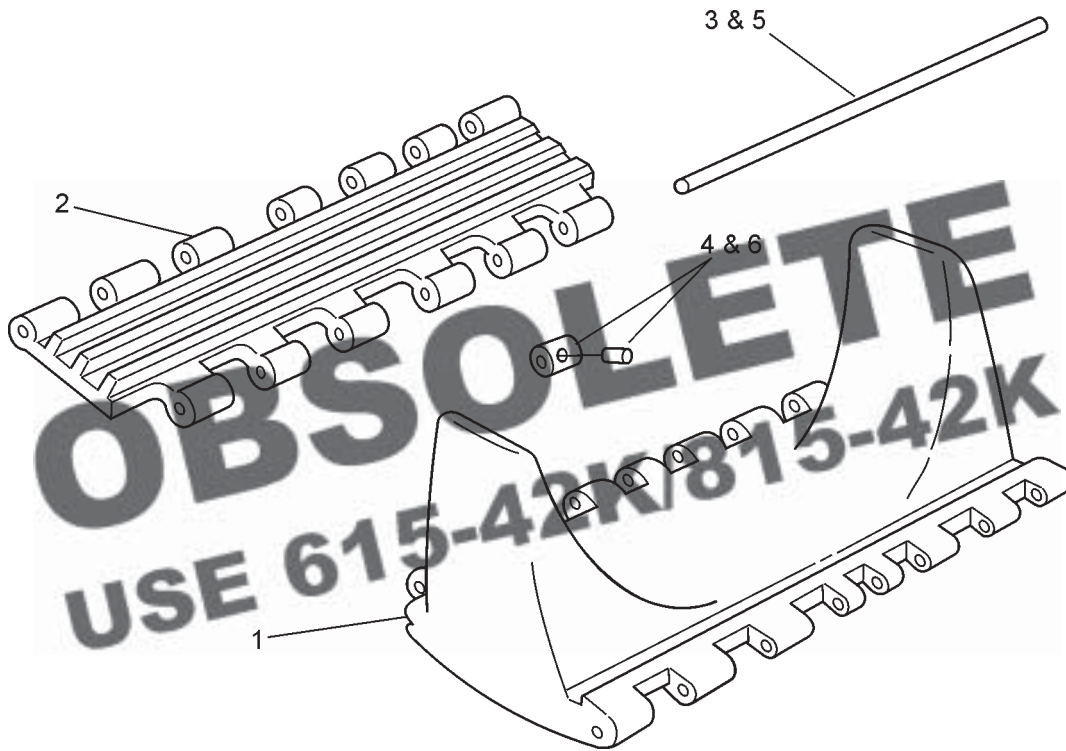
Shipping Weight and Dimensions

4 Boxes - Track - Dimensional Weight: 38 lbs.; Dimensions: 22" x 20" x 14"; Actual Weight: 26 lbs.
 1 Box (10 pcs. 615-42, 1 pc. 615-02-6, 1 pc. 615-12-6, 2 pcs., 615-21) - Dimensional Weight: 38 lbs.;
 Dimensions: 22" x 20" x 14"; Actual Weight: 30 lbs.
 6 pcs. - Tire - Dimensions: 21" x 21" x 10" each; Weight: 15 lbs. each
 6 pcs. - Rims - Dimensions: 9" x 9" x 8"; Weight 5 lbs.



615-40 Track Kit - Vanguard and Vanguard2

815-40 Track Kit - 8x8



Ref.	Qty.		Part #	Description
	6 whl.	8 whl.		
1	58	72	615-41	Track Segment
2	2	2	615-21	Half Segment - Track - Plastic
3	1		615-02-6	Track Pin Set (62 pcs.) - 6x6
4	1		615-12-6	Bushing Set (62 pcs.) - 6x6 c/w Set Screws (64 pcs.)
5		1	615-02-8	Track Pin Set (78 pcs.) - 8x8
6		1	615-12-8	Bushing Set (78 pcs.) - 8x8 c/w Set Screws (80 pcs.)

Extra parts included: pins, lock bushing and SHSS #10-32 for future replacement

Shipping Weight and Dimensions

615-40

4 Boxes - 615-41 Track - Dimensional Weight: 38 lbs. each; Dimensions: 22" x 20" x 14" each;
Actual Weight: 26 lbs. each

1 Box (10 pcs. 615-41, 1 pc. 615-02-6, 1 pc. 615-12-6, 2 pcs. 615-21) - Dimensional Weight: 38 lbs.;
Dimensions: 22" x 20" x 14"; Actual Weight: 30 lbs.

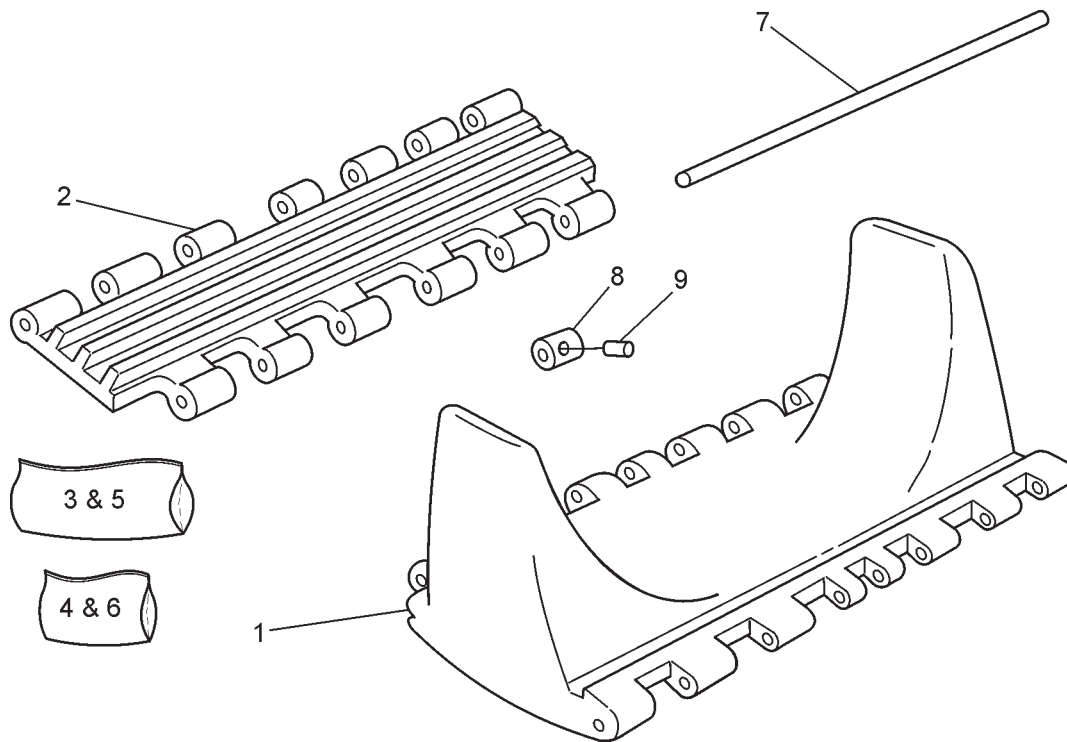
815-40

6 Boxes - 615-41 Track - Dimensional Weight: 38 lbs. each; Dimensions: 22" x 20" x 14" each;
Actual Weight: 26 lbs. each

1 Box (10 pcs. 615-02-8, 1 pc. 615-12-8, 2 pcs. 615-21) - Dimensional Weight: 2 lbs.;
Dimensions: 15" x 5" x 4"; Actual Weight: 17 lbs.



615-42K/815-42K Standard Track Kit



Ref.	Qty. 6 whl.	Qty. 8 whl.	Part #	Description
1	58	72	615-42	Track Segment - Standard
2	2	2	615-21	Half Segment
3	1		615-02-6	Track Pin Set (62 pcs.) - 6x6
4	1		615-12-6	Bushing Set (62 pcs.) - 6x6 c/w Set Screws (64 pcs.)
5		1	615-02-8	Track Pin Set (78 pcs.) - 8x8
6		1	615-12-8	Bushing Set (78 pcs.) - 8x8 c/w Set Screws (80 pcs.)

Extra parts included:

615-02 pins (7), 615-12 lock bushing (8) and 112-68 SHSS 1/4"-20 x 1/4" (9) for future replacement.

Shipping Weight and Dimensions

615-42K

4 Boxes - 615-42 Track - Dimensional Weight: 38 lbs. each; Dimensions: 22" x 20" x 14" each;
Actual Weight: 26 lbs. each

1 Box (10 pcs. 615-42, 1 pc. 615-02-6, 1 pc. 615-12-6, 2 pcs. 615-21) - Dimensional Weight: 38 lbs.;
Dimensions: 22" x 20" x 14"; Actual Weight: 30 lbs.

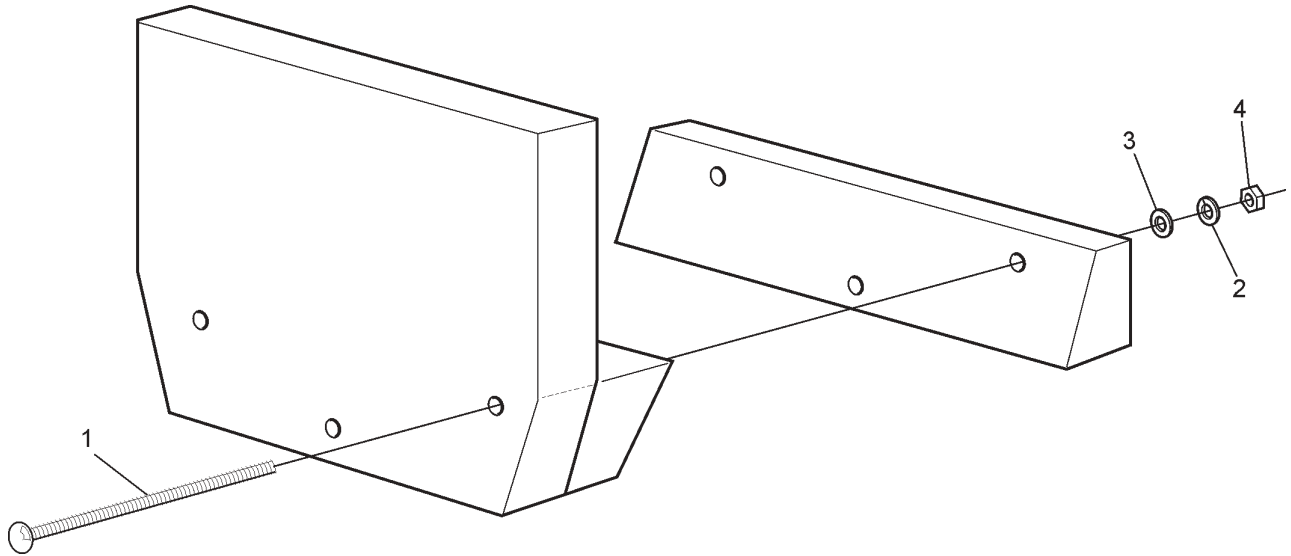
815-42K

6 Boxes - 615-42 Track - Dimensional Weight: 38 lbs. each; Dimensions: 22" x 20" x 14" each;
Actual Weight: 26 lbs. each

1 Box (10 pcs. 615-02-8, 1 pc. 615-12-8, 2 pcs. 615-21) - Dimensional Weight: 2 lbs.;
Dimensions: 15" x 5" x 4"; Actual Weight: 17 lbs.



617-00 Outboard Motor Bracket - Wood



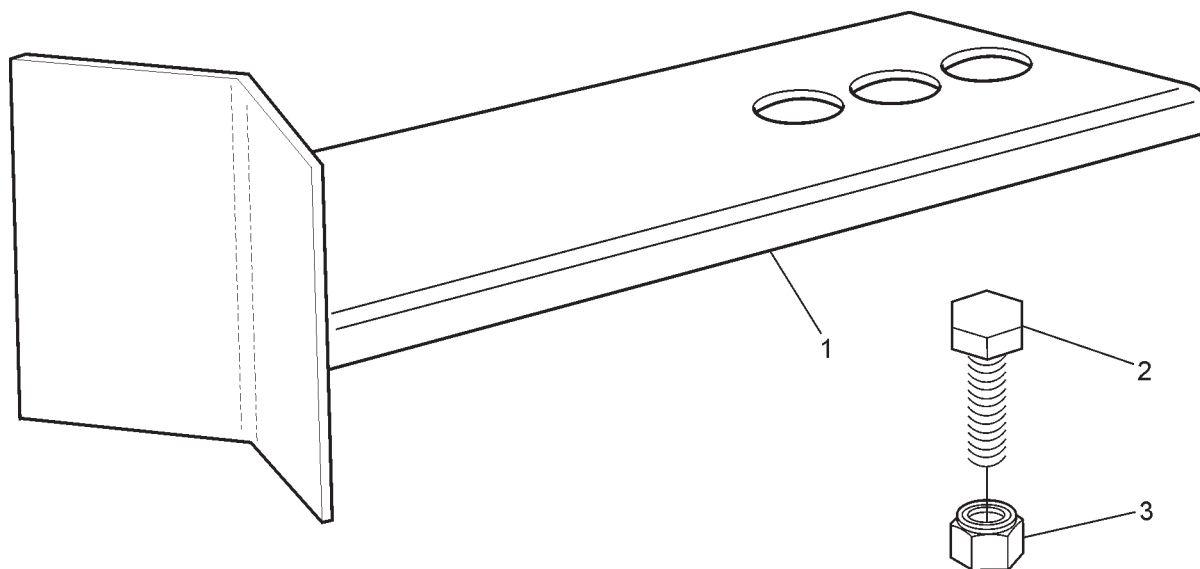
Ref.	Qty.	Part #	Description
1	3	103-40	C/Bolt, 5/16-18 x 5.0 Gr. 2 Zn
2	3	108-05	Split-ring Lockwasher, 5/16 Zn
3	3	108-24	Washer, .34 x .70 x .06 Zn
4	3	117-03	Nut, Fin Hex 5/16-18 Zn
	1		Body Support Brace - not sold separately
	1		Body Transom Mount -not sold separately

Shipping Weight and Dimensions

1 piece - Dimensional Weight: 3 lbs.; Dimensions: 10-1/2" x 7" x 5-1/2";
Actual weight: 3 lbs.



618-00 Outboard Motor Support - Steel



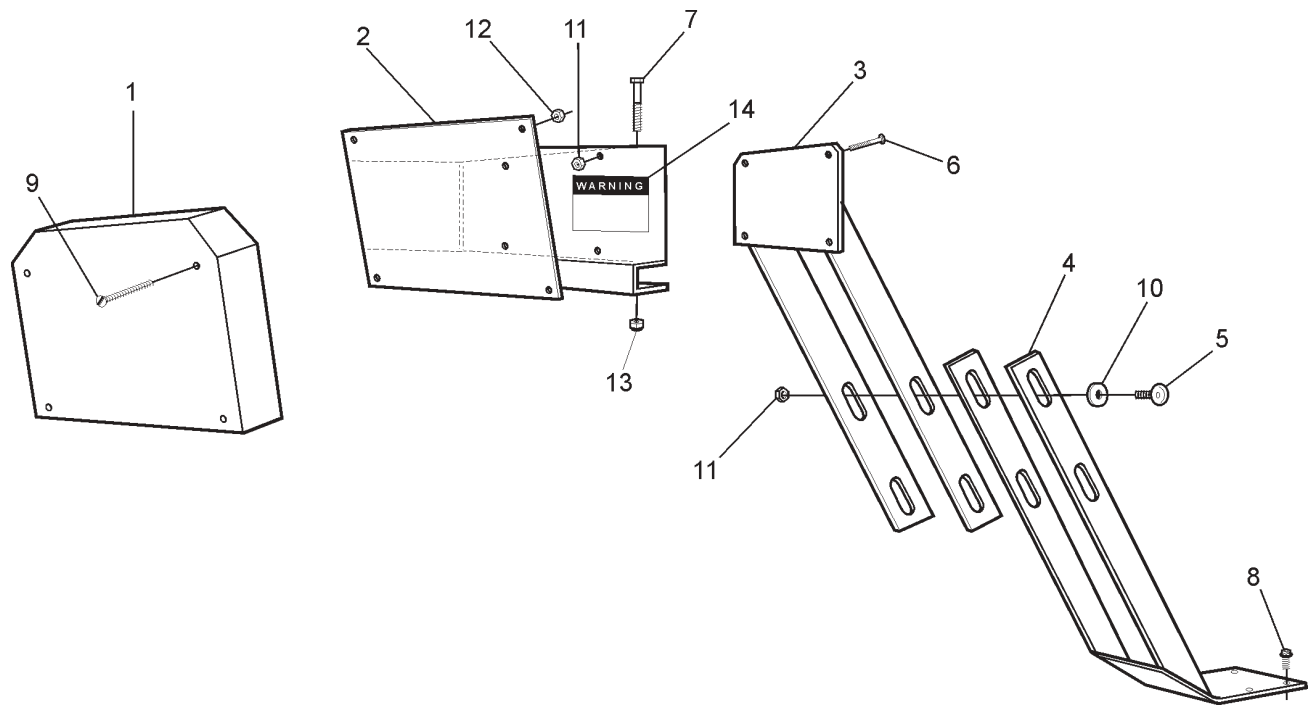
Ref.	Qty.	Part #	Description
1	1	618-00	Outboard Motor Support, Steel, c/w bolt and nut
2	1	112-34	Bolt - 3/4"
3	1	117-58	Locknut, Nylon 3/4"-10

Shipping Weight and Dimensions

1 Piece - Actual Weight 1.5 lbs; Dimensions - 9-1/2" x 3" x 3-1/2"



618-10 Outboard Motor Bracket - Side Mount



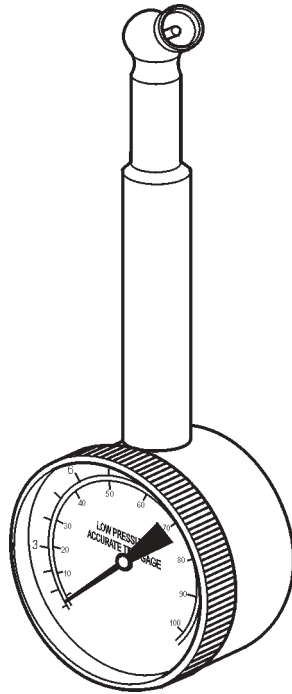
Ref.	Qty.	Part #	Description
1	1	618-11	Block, Mounting
2	1	618-18	Support Assembly
3	1	618-19	Brace Assembly - Upper
4	1	618-20	Brace Assembly - Lower
5	4	103-13	C/Bolt 5/16-18 x 1.00 (Carriage Bolt, 5/16" x 1")
6	4	103-57	HHCS 5/16-18 x 1.5 (Bolt, 5/16" x 1.5")
7	2	103-68	HHCS, 3/8-16 x 2" (Bolt, 3/8" x 2")
8	2	103-72	Screw, IHWH 1/4-20 x 3/4 (Self Threading Bolt)
9	4	103-98	FHMS, Slot 1/4-20 x 2.0 (Flat Head Bolt)
10	4	108-12	Washer .34 x 1.00 x .06 (Washer, 5/16")
11	8	117-21	Locknut, Nylon 5/16-18"
12	4	117-27	Locknut, Nylon 1/4-20"
13	2	117-29	Locknut, Nylon 3/8-16"
14	1	618-21	Label, Warning

Shipping Weight and Dimensions

1 Piece - Dimensional Weight: 7 lbs. Dimensions: 27" x 7" x 6"; Actual Weight: 15 lbs.



619-10 Tire Gauge (0-15 PSI)



Ref.	Qty.	Part #	Description
1	1	619-10	Tire Gauge

Shipping Weight and Dimensions

1 Piece - 9" x 4" x 2"; Actual Weight 1 lb.



Ontario Drive & Gear
Phone (519) 662-2840 Fax (519) 662-2421

621-20/821-20 Storage Cover (Not for Highway Use)



Ref.	Qty.	Part #	Description
1	1	621-20	Storage Cover - 6 Wheel - not shown
1	1	821-20	Storage Cover

Shipping Weight and Dimensions

621-20

1 Piece - Dimensional Weight: 11 lbs.; Dimensions: 16" x 16" x 7"; Actual Weight: 4 lbs.

821-20

1 Piece - Dimensional Weight: 14 lbs.; Dimensions: 16" x 16" x 9"; Actual Weight: 5 lbs.

Ontario Drive & Gear
Phone (519) 662-2840 Fax (519) 662-2421



621-30 Pouch

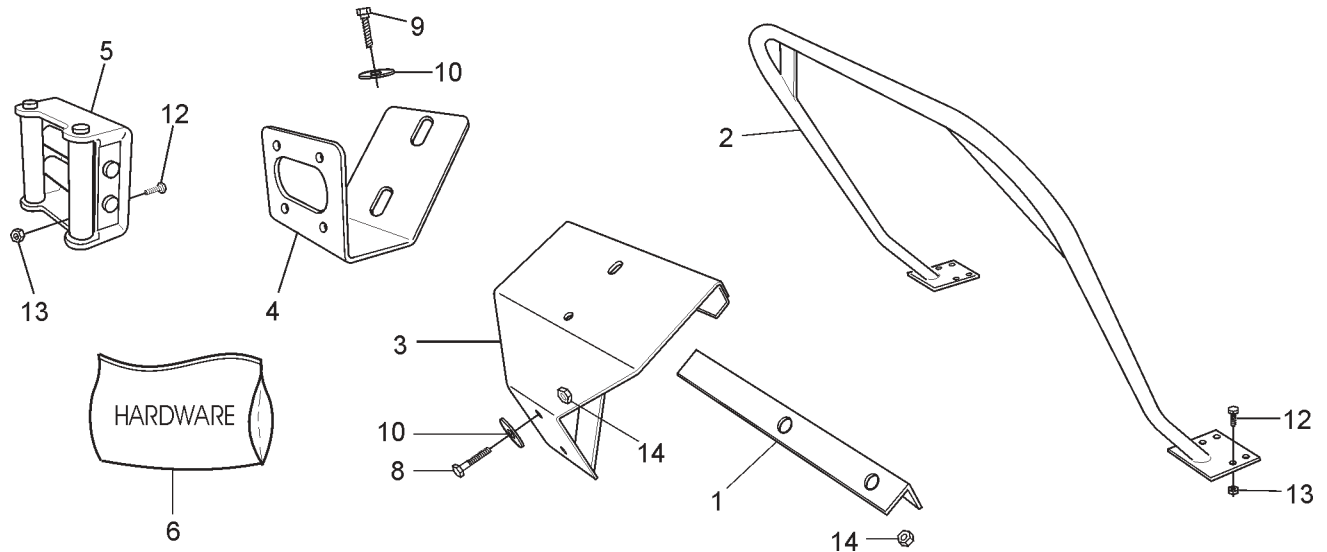


Ref.	Qty.	Part #	Description
1	1	621-30	Pouch

Mounts on 803-50 Handrail



622-21 Winch Mounting Kit



Ref.	Qty.	Part #	Description
1	1	622-03	Winch Angle
2	1	622-49	Winch Hoop
3	1	622-28	Winch Bracket
4	1	622-31	Cable Guide Bracket
5	1	622-50	Roller Fairlead - includes the following (not illustrated)
	8	107-05	Retaining Ring
	1	622-51	Bracket Asm, Fairlead
	4	622-53	Roller, Fairlead
	4	622-54	Shaft, Fairlead
6	1	622-40HDW	Hardware Kit includes the following:
7	4	103-06	HHCS 5/16 - 18 x 1.00 Gr. 5 Zn
8	2	103-34	HHCS 3/8 - 16 x 1.25 Gr. 5 Zn
9	2	103-76	HHCS 3/8 - 16 x 1.75 Gr. 5 Zn
10	4	108-18	Washer, 13/32 id x 1-3/8" od x 11 Ga
11	13	108-24	Washer
12	8	112-01	HHCS 5/16 - 18 x .750 Gr. 5 Zn
13	8	117-21	Locknut, Nylon 5/16 - 18 Zn
14	4	117-29	Locknut, Nylon 3/8 - 16 Zn

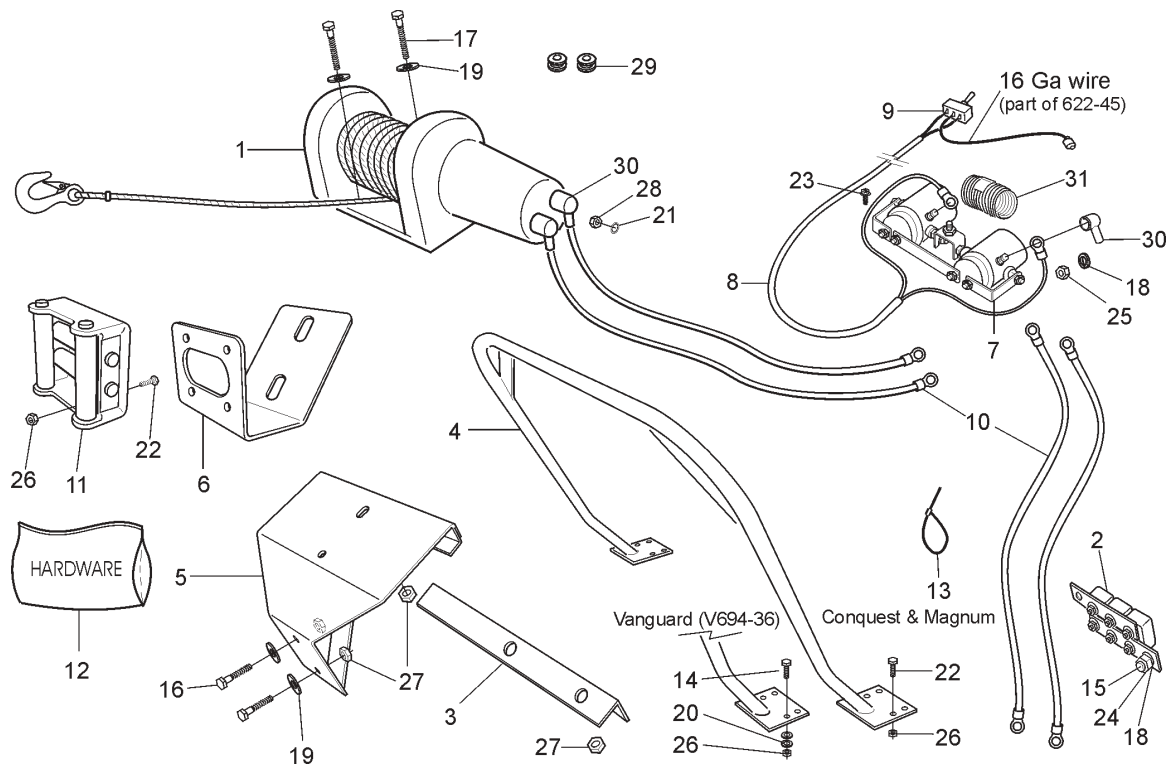
Additional hardware for mounting winch - not illustrated

7	100-64	Tie Wrap 5-1/2" long - Black
1	103-28	HHCS 5/16 - 18 x 5/8 Gr. 5 Zn
5	108-05	Lockwasher 5/16 Zn
2	108-59	Lockwasher, #10, internal tooth
4	112-19	Screw, IHWH T/C slot 1/4 - 20 x 1/2
1	117-03	Nut, Fin Hex 5/16 - 18 Zn
4	117-17	Nut, Jam 5/16 - 24
4	117-59	Nut, hex 10 - 32
2	125-84	Grommet, rubber
5	613-45	Terminal, insulator, 6 Ga.
2	613-78	Terminal, insulator

Shipping Weight and Dimensions

1 Piece - 622-22 - Hoop: Dimensional Weight: 18 lbs.; Dimensions: 26-1/2"x25" x 4-1/2"; Actual Weight: 5 lbs.
 1 Box containing 622-03, 622-28, 622-31, 622-40HDW, 622-50; Dimensional Weight: 4 lbs;
 Dimensions: 12" x 10" x 6"; Actual Weight: 15 lbs.

622-40 Winch and Mounting Kit



Ref.	Qty.	Part #	Description	Ref.	Qty.	Part #	Description
1	1	622-41	Winch X2F (includes 30 foot nylon strap)	20	13	108-24	Washer
2	1	622-29	Circuit Breaker	21	2	108-59	Lockwasher, #10, internal tooth
3	1	622-03	Winch Angle	22	8	112-01	HHCS 5/16 - 18 x .750 Gr. 5 Zn
4	1	622-49	Winch Hoop	23	2	112-19	Screw, IHWH T/C slot 1/4 - 20 x 1/2
5	1	622-28	Winch Bracket	24	1	117-03	Nut, Fin Hex 5/16 - 18 Zn
6	1	622-31	Cable Guide Bracket	25	4	117-17	Nut, Jam 5/16 - 24
7	1	622-37	Solenoid, DC Reversing Control	26	8	117-21	Locknut, Nylon 5/16 - 18 Zn
7a	1	622-34	Solenoid, DC Reversing Control (see reverse page)	27	4	117-29	Locknut, Nylon 3/8 - 16 Zn
7b	1	622-42	Solenoid, DC Reversing Control (see reverse page)	28	4	117-59	Nut, hex 10 - 32
7c	1	622-37S	Solenoid (Part of Ref. 7)	29	2	125-84	Grommet, rubber
8	1	622-35	Cable/Connector Assembly	30	5	613-45	Terminal, insulator, 6 Ga.
8a	1	622-36	Cable/Connector Assembly	31	1	613-59	Cover Protective, Solenoid
8b	1	622-43	Cable/Connector Assembly	32	2	613-78	Insulator, Terminal
9	1	622-44	Switch, Toggle				
10	1	622-45	Wire Harness, Winch				
11	1	622-50	Roller Fairlead (includes the following - not illustrated)				
	8	107-05	Retaining Ring				
	1	622-51	Bracket Asm, Fairlead				
	4	622-53	Roller, Fairlead				
	4	622-54	Shaft, Fairlead				
12	1	622-40HDW	Hardware Kit for Mounting Kit				
13	6	100-64	Tie Wrap 5-1/2" long - Black				
14	4	103-06	HHCS 5/16 - 18 x 1.00 Gr. 5 Zn				
15	1	103-28	HHCS 5/16 - 18 x 5/8 Gr. 5 Zn				
16	2	103-34	HHCS 3/8 - 16 x 1.25 Gr. 5 Zn				
17	2	103-76	HHCS 3/8 - 16 x 1.75 Gr. 5 Zn				
18	5	108-05	Lockwasher 5/16 Zn				
19	4	108-18	Washer, 13/32 id x 1-3/8" od x 11 Ga				

Shipping Weight and Dimensions

1 Box - 622-41 Winch: Dimensional Weight: 7 lbs.;
Dimensions: 15-1/2" x 8-1/2" x 9";
Actual Weight: 27 lbs.

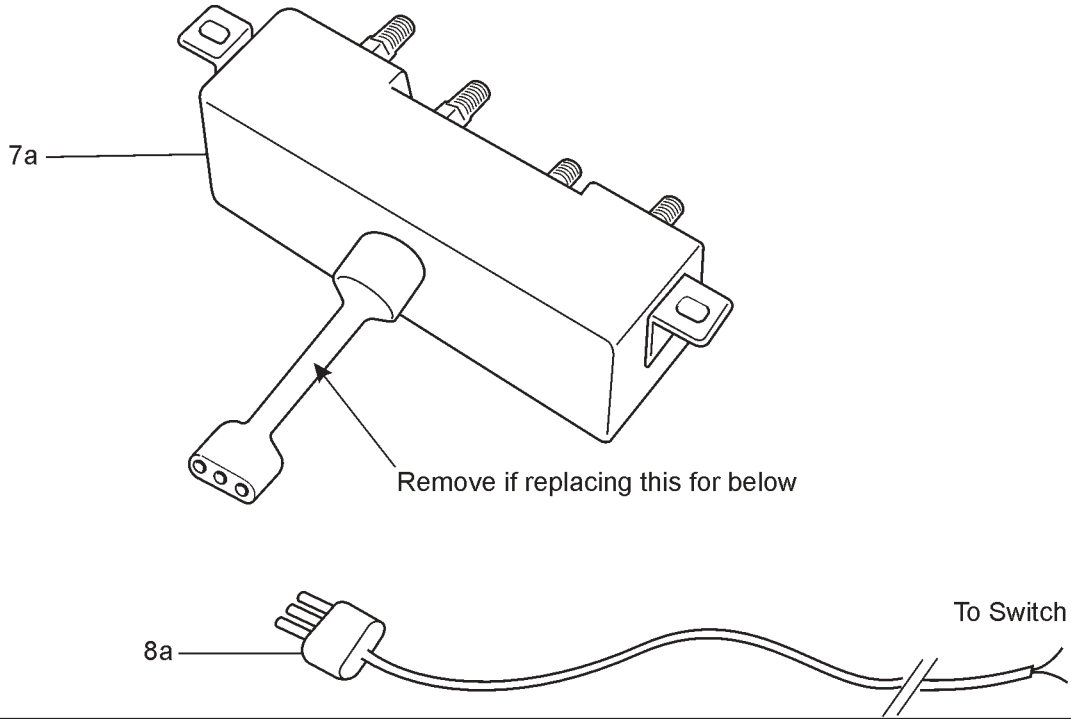
1 Piece - 622-22 Hoop: Dimensional Weight: 18 lbs.;
Dimensions: 26-1/2" x 25" x 4-1/2";
Actual Weight: 5 lbs.

1 Box containing 622-03, 622-28, 622-31, 622-37, 622-40HDW, 622-43, 622-44, 622-45, 622-50 Dimensional Weight: 6 lbs.; Dimensions: 12" x 10" x 8";
Actual Weight: 18 lbs.



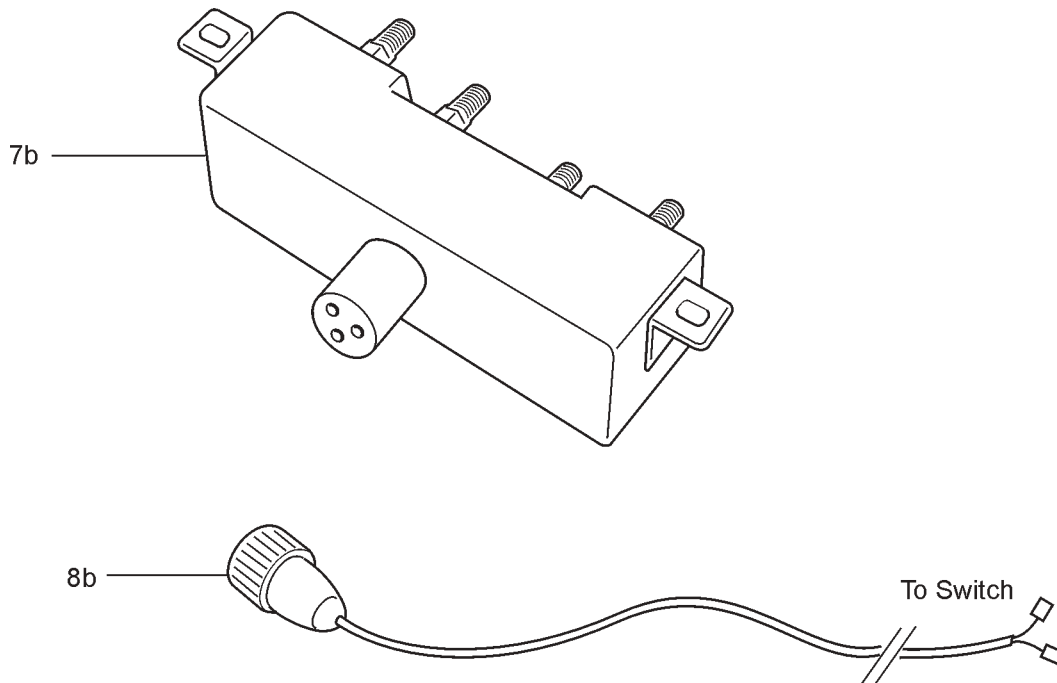
622-34 Solenoid c/w Jumper Wire

Alternate Solenoid

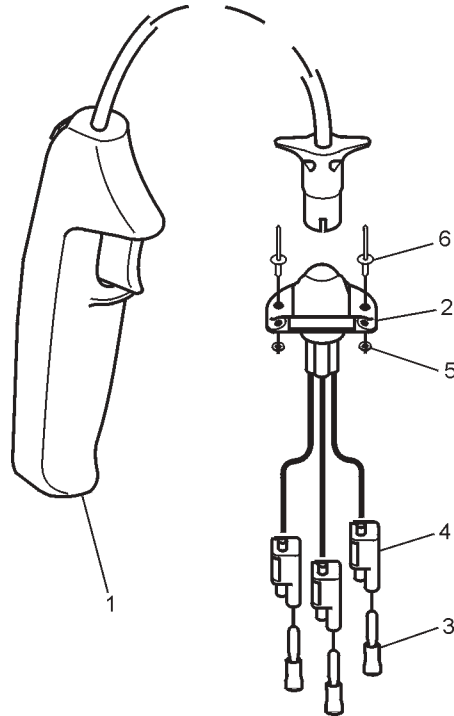


622-42 Original Solenoid

No longer available. Use above and remove jumper wire.



622-60 Remote Control Kit



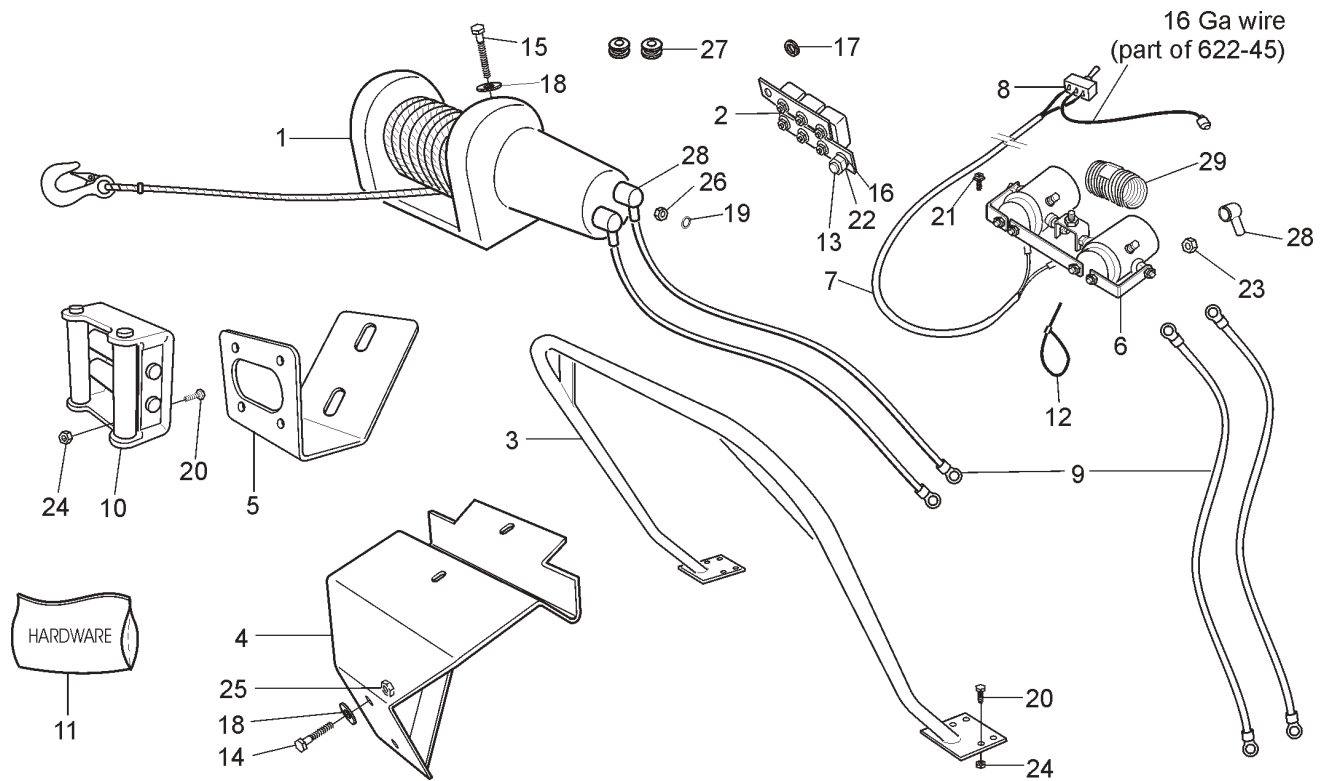
Ref.	Qty.	Part #	Description
1	1	622-58	Hand Held Remote
2	1	622-59	Connector, Female Socket
3	3	118-02	Terminal, Male - 76-1251
4	3	118-04	Connector, T-Tap
5	2	120-04	Washer, 19 x 50 x .08 Zn
6	2	120-09	Rivet, 3/16 x 1.0 Black

Shipping Weight and Dimensions

1 Box; Dimensional Weight: 2 lbs; Dimensions: 10" x 8" x 4"; Actual Weight: 2 lbs.



622-70 Winch and Mounting Kit



Ref.	Qty.	Part #	Description	Ref.	Qty.	Part #	Description
1	1	622-41	Winch X2F (includes 30 foot nylon strap)	17	1	108-24	Washer
2	1	622-29	Circuit Breaker	18	4	108-18	Washer, 13/32 id x 1-3/8" od x 11 Ga
3	1	622-71	Winch Hoop	19	2	108-59	Lockwasher, #10, internal tooth
4	1	622-74	Winch Bracket	20	8	112-01	HHCS 5/16 - 18 x .750 Gr. 5 Zn
5	1	622-77	Cable Guide Bracket	21	2	112-19	Screw, IHWH T/C slot 1/4-20x1/2
6	1	622-37	Solenoid, DC Reversing Control	22	1	117-03	Nut, Fin Hex 5/16 - 18 Zn
6a	1	622-34	Solenoid, DC Reversing Control (see reverse page)	23	4	117-17	Nut, Jam Hex 5/16 - 24
6b	1	622-42	Solenoid, DC Reversing Control (see reverse page)	24	4	117-21	Locknut, Nylon 5/16 - 18 Zn
6c	1	622-37S	Solenoid (Part of Ref. 6)	25	4	117-29	Locknut, Nylon 3/8 - 16 Zn
7	1	622-35	Cable/Connector Assembly	26	4	117-59	Nut, hex 10 - 32
7a	1	622-36	Cable/Connector Assembly	27	2	125-84	Grommet, rubber
7b	1	622-43	Cable/Connector Assembly	28	5	613-45	Terminal, insulator, 6 Ga.
8	1	622-44	Switch, Toggle	29	1	613-59	Cover Protective, Solenoid
9	1	622-45	Wire Harness, Winch	30	2	613-78	Insulator, Terminal
10	1	622-50	Roller Fairlead - includes the following (not illustrated)				
	8	107-05	Retaining Ring				
	1	622-51	Bracket Asm, Fairlead				
	4	622-53	Roller, Fairlead				
	4	622-54	Shaft, Fairlead				
11	1	622-70HDW	Hardware Kit includes the following:				
12	6	100-64	Tie Wrap 5-1/2" long - Black				
13	1	103-28	HHCS 5/16 - 18 x 5/8 Gr. 5 Zn				
14	2	103-34	HHCS 3/8 - 16 x 1.25 Gr. 5 Zn				
15	2	103-76	HHCS 3/8 - 16 x 1.75 Gr. 5 Zn				
16	5	108-05	Lockwasher 5/16 Zn				

Shipping Weight and Dimensions

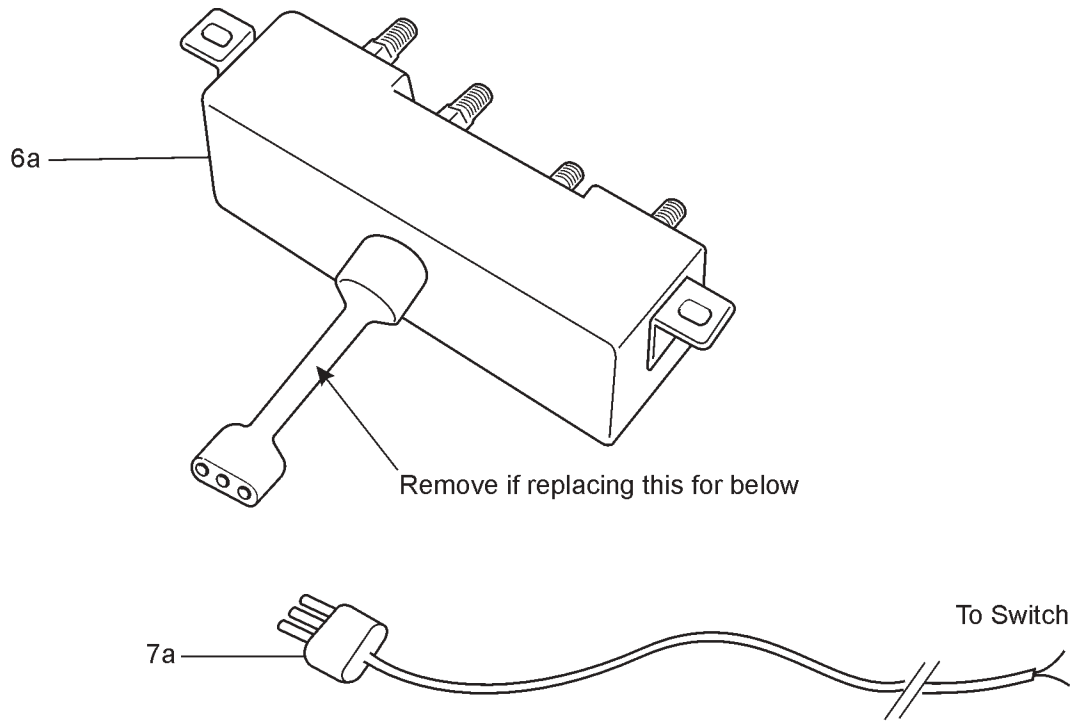
1 Box - 622-41 Winch: Dimensional Weight: 7 lbs; Dimensions: 15-1/2" x 8-1/2" x 9"; Actual Weight: 27 lbs.

1 Piece - 622-71 Hoop: Dimensional Weight: 18 lbs.; Dimensions: 26-1/2" x 25" x 4-1/2"; Actual Weight: 5 lbs.

1 Box containing 622-37, 622-43, 622-44, 622-45, 622-50, 622-70HDW, 622-74, 622-77 Dimensional Weight: 6 lbs.; Dimensions: 11" x 10" x 8"; Actual Weight: 15 lbs

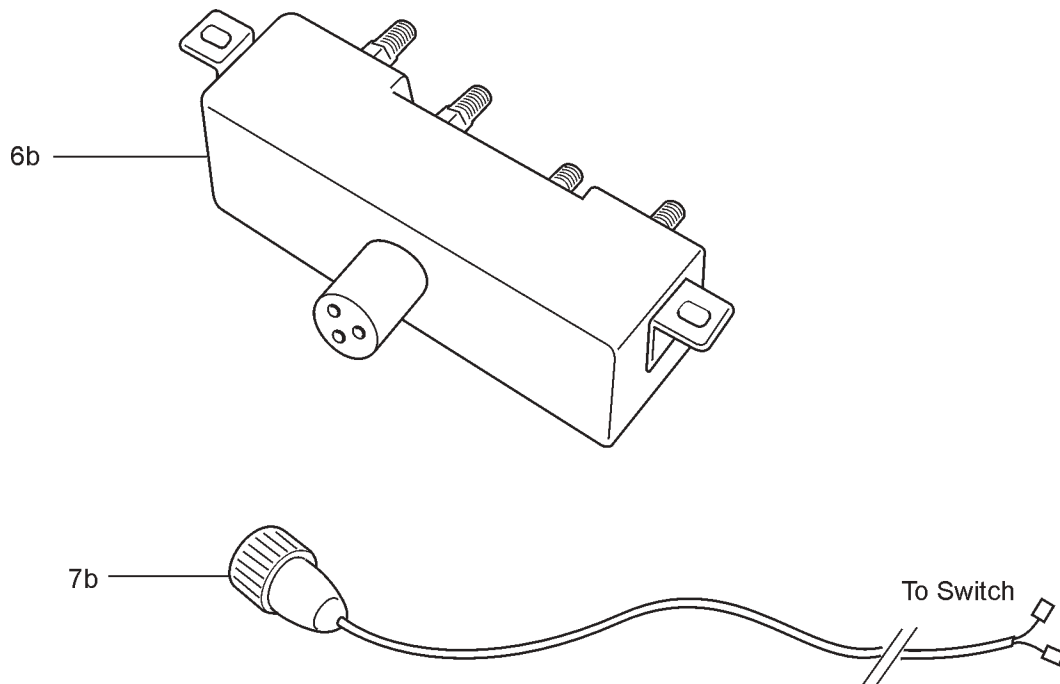
622-34 Solenoid c/w Jumper Wire

Alternate Solenoid

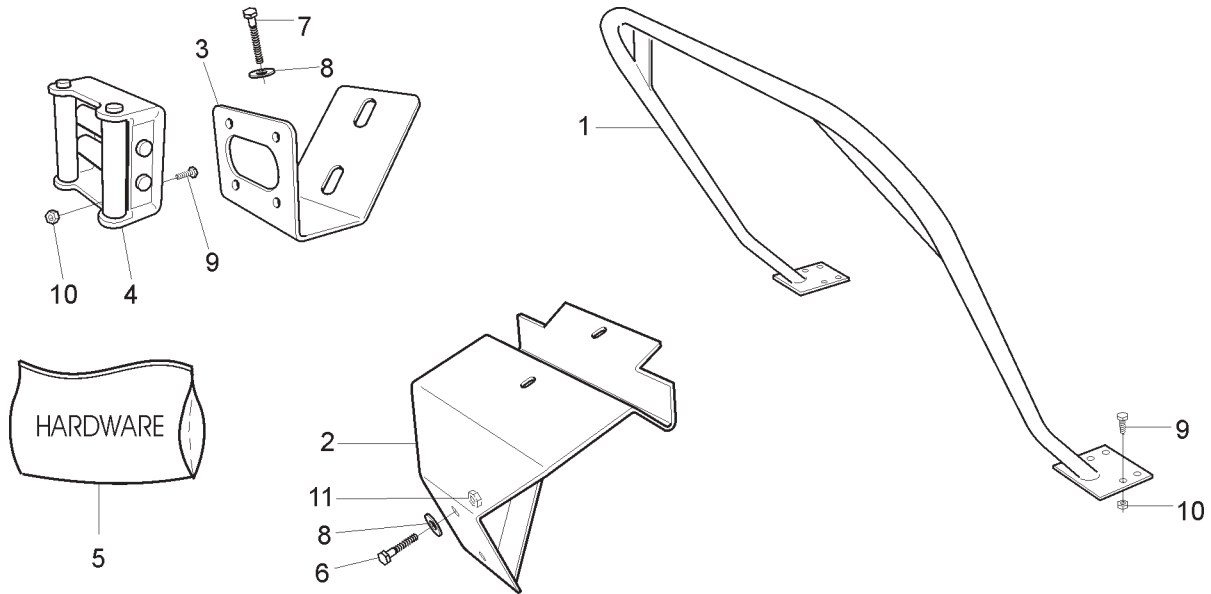


622-42 Original Solenoid

No longer available. Use above and remove jumper wire.



622-78 Winch Mounting Kit



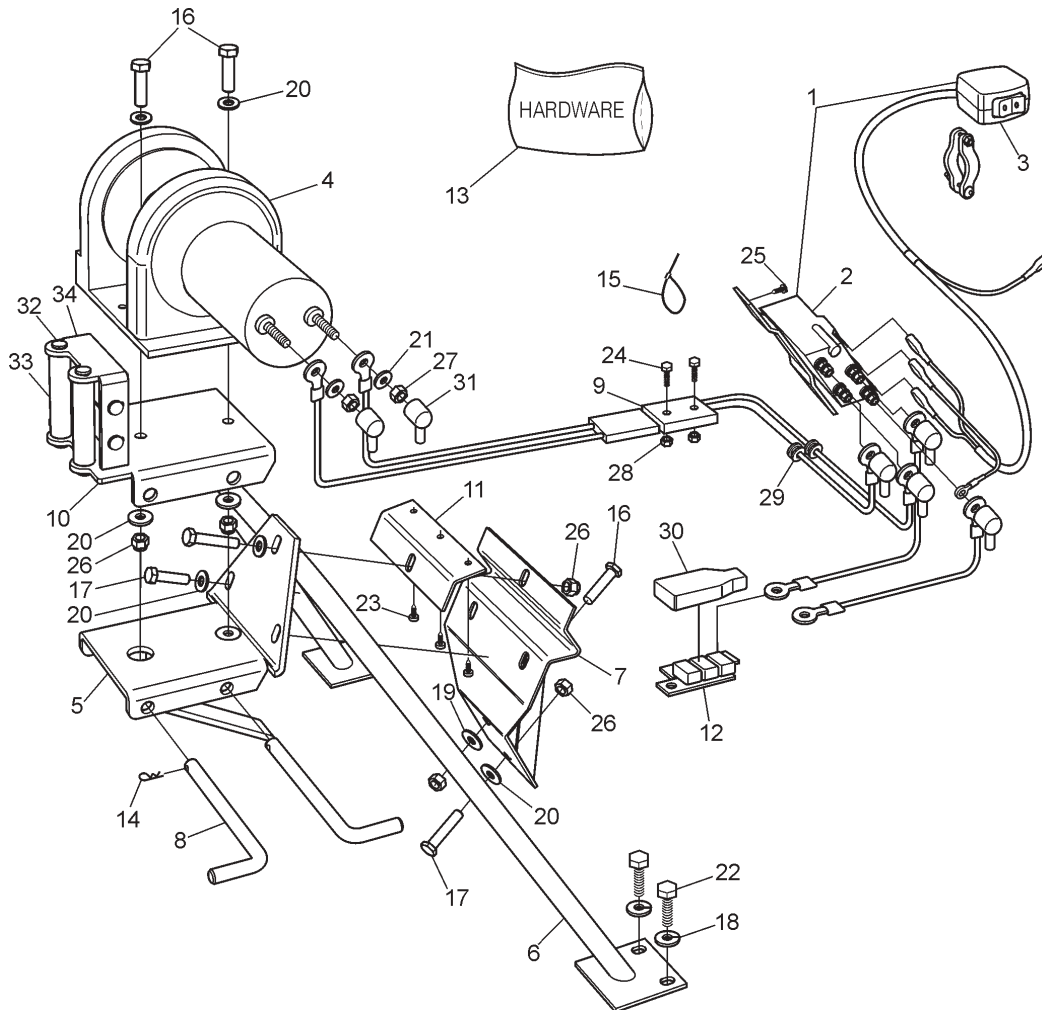
Ref.	Qty.	Part #	Description
1	1	622-71	Winch Hoop
2	1	622-74	Winch Bracket
3	1	622-77	Cable Guide Bracket
4	1	622-50	Roller Fairlead - includes the following (not illustrated)
	8	107-05	Retaining Ring
	1	622-51	Bracket Asm, Fairlead
	4	622-53	Roller, Fairlead
	4	622-54	Shaft, Fairlead
5	1	622-70HDW	Hardware Kit includes the following:
6	2	103-34	HHCS 3/8 - 16 x 1.25 Gr. 5 Zn
7	2	103-76	HHCS 3/8 - 16 x 1.75 Gr. 5 Zn
8	4	108-18	Washer, 13/32 id x 1-3/8" od x 11 Ga
9	8	112-01	HHCS 5/16 - 18 x .750 Gr. 5 Zn
10	4	117-21	Locknut, Nylon 5/16 - 18 Zn
11	4	117-29	Locknut, Nylon 3/8 - 16 Zn
Additional hardware for mounting winch - not illustrated (part of hardware kit)			
	6	100-64	Tie Wrap 5-1/2" long - Black
	1	103-28	HHCS 5/16 - 18 x 5/8 Gr. 5 Zn
	5	108-05	Lockwasher 5/16 Zn
	1	108-24	Washer
	2	108-59	Lockwasher, #10, internal tooth
	2	112-19	Screw, IHWH T/C slot 1/4 - 20 x 1/2
	1	117-03	Nut, Fin Hex 5/16 - 18 Zn
	4	117-17	Nut, Jam 5/16 - 24
	4	117-59	Nut, hex 10 - 32
	2	125-84	Grommet, rubber
	5	613-45	Terminal, insulator, 6 Ga.

Shipping Weight and Dimensions

1 Piece - 622-79 - Hoop: Dimensional Weight: 18 lbs.; Dimensions: 26-1/2" x 25" x 4-1/2"; Actual Weight: 5 lbs.

1 Box containing 622-50, 622-70HDW, 622-74, 622-77 - Dimensional Weight: 4.5 lbs.; Dimensions: 11" x 11" x 6"; Actual Weight: 13 lbs.

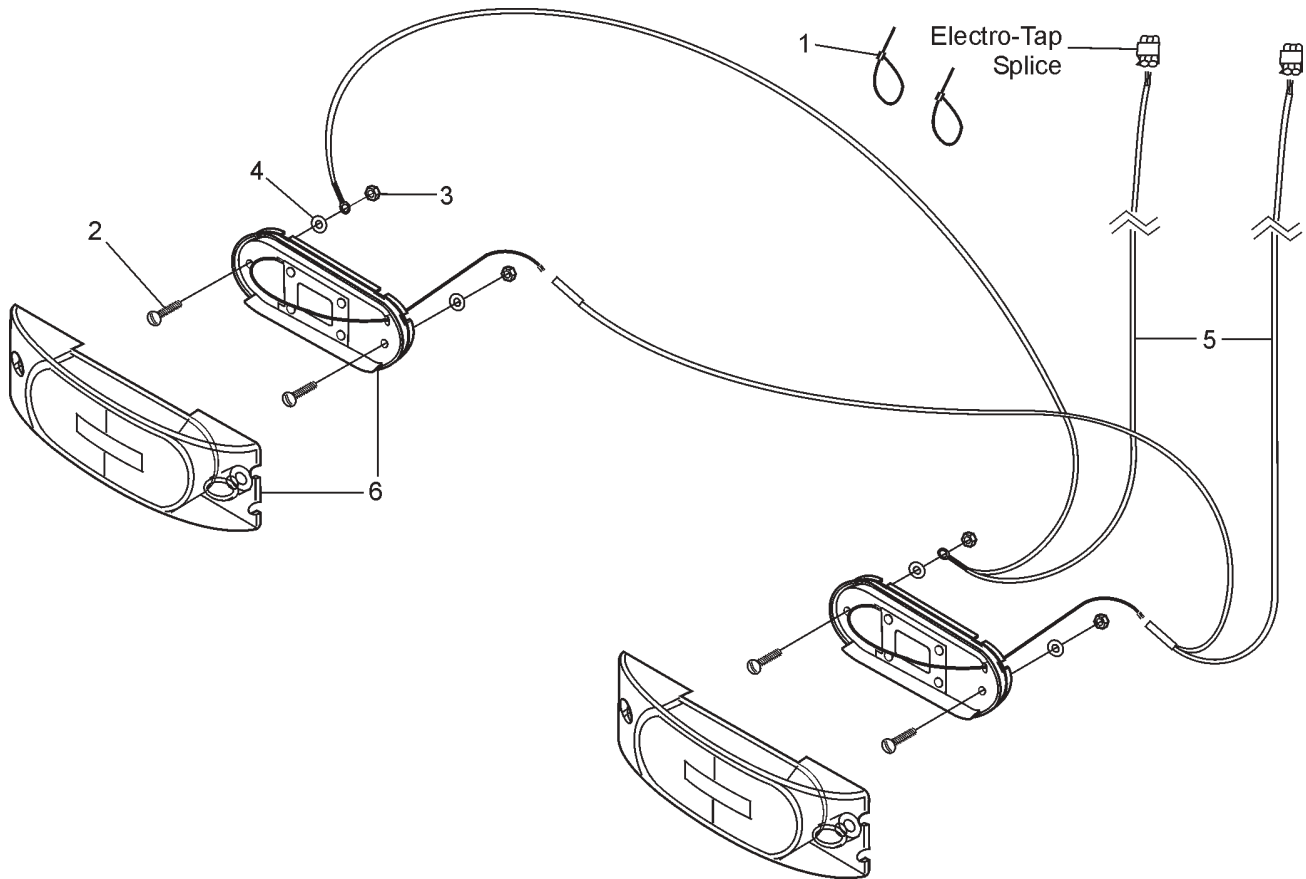
622-80 - Winch Kit



Ref.	Qty.	Part #	Description	Ref.	Qty.	Part #	Description
1	1	622-67	Kit, Solenoid & Toggle	23	3	112-102	Screw, Self Drill 12-14 x 3/4"
2	1	622-38	Contactora, Reversing Monoblock	24	2	112-126	HHCS M3 x 0,5 x 30 Cl 8.8 Zn
3	1	622-39	Switch, Handle Bar Toggle	25	2	112-19	Screw, IHWH T/C Slot 1/4-20x1/2
4	1	622-41	Winch X2F c/w 40' Cable + 30' Strap	26	7	117-29	Locknut, Nylon 3/8-16 Zn
5	1	622-69	Receiver Ass'y, Front Winch	27	2	117-59	Nut, Hex Machine #10-32 Zn
6	1	622-81	Hoop Ass'y, Winch - Avenger	28	2	117-78	Locknut, Nylon M3 x 0.5" Zn
7	1	622-83	Bracket, Body Support - Winch	29	2	125-84	Grommet, Rubber
8	2	622-85	Release Pin, Receiver Winch	30	1	127-55	Cap, Battery Terminal - Red
9	1	622-88	Wire Harness, Receiver Winch	31	5	613-45	Insulator, Terminal 6 Ga.
10	1	622-89	Fairlead, Weldment	32	5	107-05	Ring, Snap
11	1	622-99	Hoodframe Support Bracket, Winch	33	4	622-53	Roller, Fairlead
12	1	622-29	Circuit Breaker Asm	34	4	622-54	Shaft, Fairlead
13	1	622-80HDW	Hardware Kit - includes the following:	Shipping Weight and Dimensions			
14	2	100-16	Clip, Hitch Pin 1.625 Zn	1 Box - 622-41 Winch: Dimensional Weight: 7 lbs.;			
15	4	100-64	Tie Wrap - 5.5" Black	Dimensions: 15.5" x 8.5" x 9"; Actual Weight: 27 lbs.			
16	3	103-34	HHCS 3/8-16 x 1.25 Gr5 Zn	1 Piece - 622-81 Hoop: Dimensional Weight: 12 lbs.;			
17	4	103-82	HHCS 3/8-16 x 1.5 Gr5 Zn	Dimensions: 25" x 26.5" x 3"; Actual Weight: 4 lbs.			
18	4	108-05	Lockwasher 5/16 Split Ring Zn	1 Box containing 622-67, 622-80HDW, 622-99,			
19	1	108-18	Washer .40 x 1.37 x .12 Zn	622-88, 622-69, 622-83, 622-92, 2 x 622-85			
20	12	108-47	Washer .39x.94x.13 Zn Di-Chro	Dimensional Weight: 7.5 lbs.;			
21	2	108-59	Lockwasher #10 Int. Tooth Zn	Dimensions: 15" x 11.5" x 7"; Actual Weight: 19 lbs.			
22	4	112-01	HHCS 5/16-18x3/4 Gr5 Zn				



624-00 Dual Tailight Kit



Ref.	Qty.	Part #	Description
1	2	100-64	Tie-wrap
2	4	103-26	Truss Head Screw, #10-24 x 1"
3	4	117-10	Locknuts, #10-24
4	4	120-05	Washer 3/16"
5	1	624-01	Dual Tailight Harness, includes 2 Electro-tap Splice, Amp#53440-1
6	2	624-02	Tailight Assembly

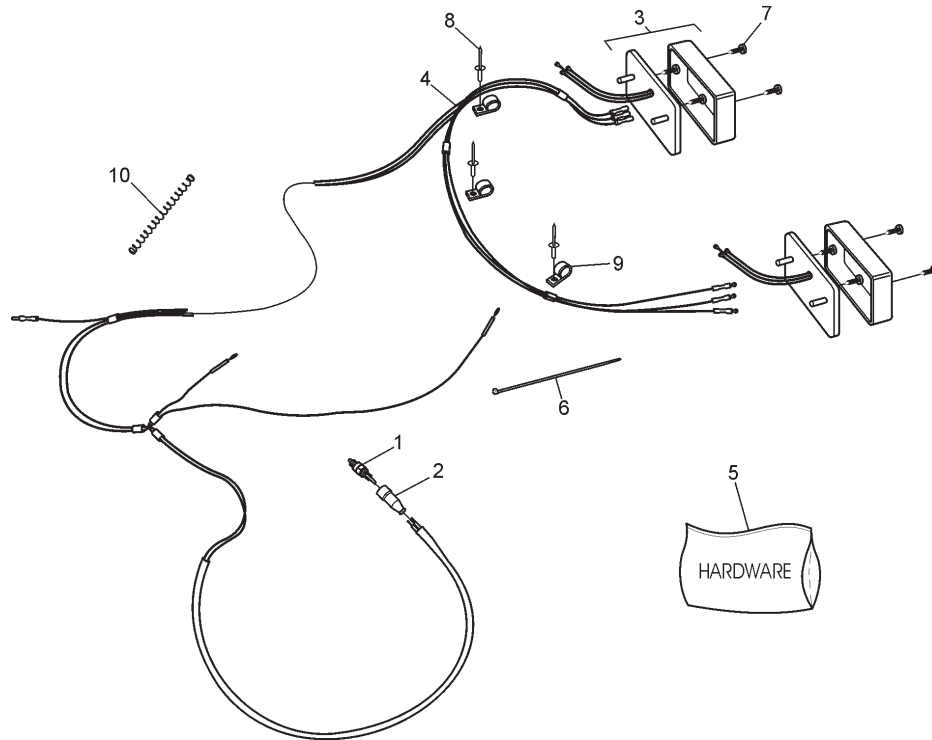
Shipping Weight and Dimensions

1 Package - Dimensional Weight: 1 lb.; Dimensions: 8-1/2" x 6" x 2"; Actual Weight: 1 lb.

Ontario Drive & Gear
 Phone (519) 662-2840 Fax (519) 662-2421



624-10 - Brake Tailight Kit - Avenger



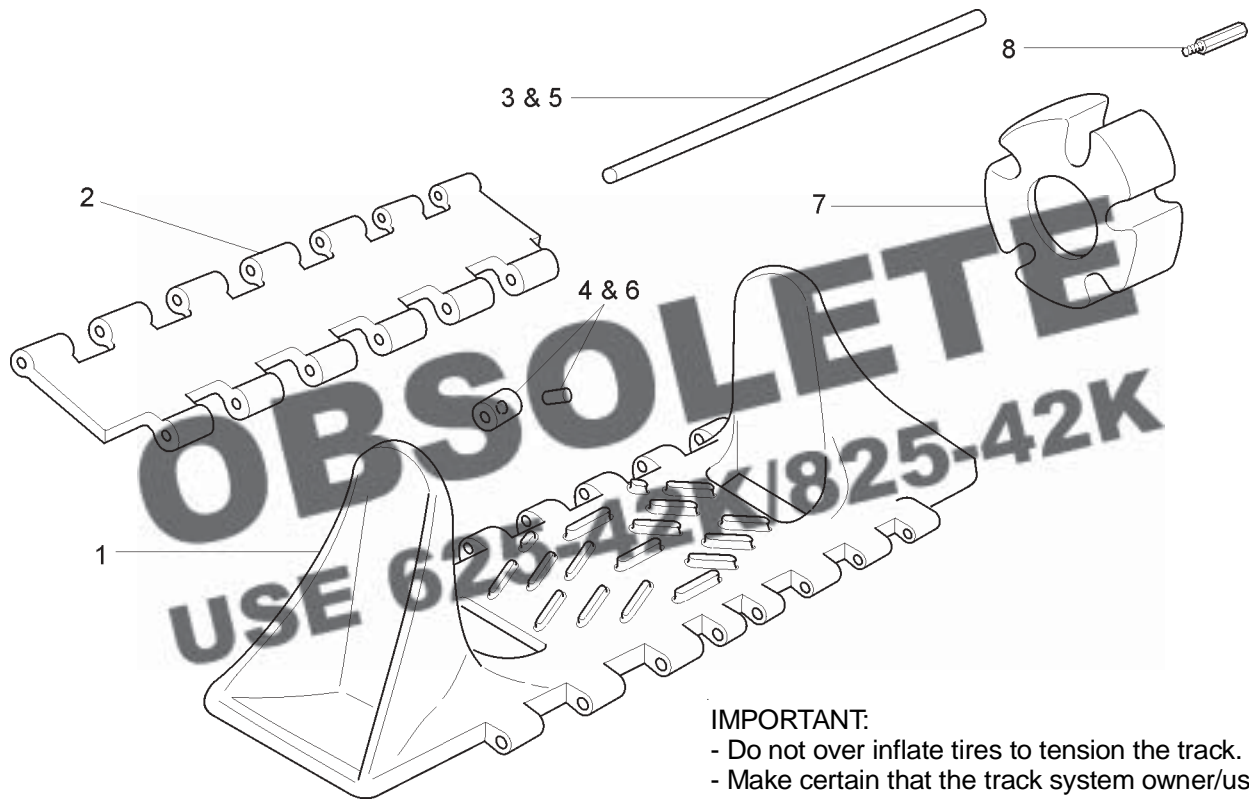
Ref.	Qty.	Part #	Description
1	1	118-66	Switch, Brake Light
2	1	118-67	Boot, Brake Light Switch
3	2	624-06	Light, Brake
4	1	624-11	Wire Harness, Brake Light
5	1	624-10HDW	Hardware Kit includes the following:
6	6	100-64	Tie Wrap - 5.5" Black
7	4	112-56	T/S Pan Hd Phil #10 x 3/4 A Screw Zn
8	3	120-13	Rivet - 3/16 x 5/8 Black
9	3	126-93	Clamp, Nylon Wire - 1/2" ID
10	1	128-11	Spring, .312 OD x .244 ID x 5.0"

Shipping Weight and Dimensions

1 Piece - 624-10 Brake Light Kit: Dimensional Weight: 2 lbs.; Dimensions: 10" x 8" x 3.5";
Actual Weight: 2 lbs.



625-00/825-00 Super Track Kit



IMPORTANT:

- Do not over inflate tires to tension the track.
- Make certain that the track system owner/user get the Track Accessory Kit Instructions. Impress upon the owner/user that he must observe the Caution and Operating Precaution instructions.
- Request for warranty consideration will not be accepted for damage to tires or segments

Ref.	Qty. 8 whl.	Qty. Part #	Description
1	58	72	625-01 Super Track Segment
2	2	2	615-18 Half Track Segment - Steel
3	1		615-02-6 Track Pin Set (62 pcs.) - 6x6
4	1		615-12-6 Bushing Set (62 pcs.) - 6x6 c/w Set Screws (64 pcs.)
5		1	615-02-8 Track Pin Set (78 pcs.) - 8x8
6		1	615-12-8 Bushing Set (78 pcs.) - 8x8 c/w Set Screws (80 pcs.)
7	6	8	605-77 Axle Extension
8	30	40	126-08 Extension Stud

Extra parts included: pins, lock bushing and SHSS #10-32 for future replacement

Shipping Weight and Dimensions

625-00

4 Boxes 625-01 Super Track - Dimensional Weight: 38 lbs. each; Dimensions: 22" x 20" x 14" each; Actual Weight: 29 lbs. each

1 Box (8 pcs. 625-01, 6 pcs. 605-77, 30 pcs. 126-08, 1 pc. 615-02-6, 1 pc. 615-12-6, 2 pcs. 615-18) - Dimensional Weight: 37 lbs.; Dimensions: 22"x 20" x14"; Actual Weight: 44 lbs.

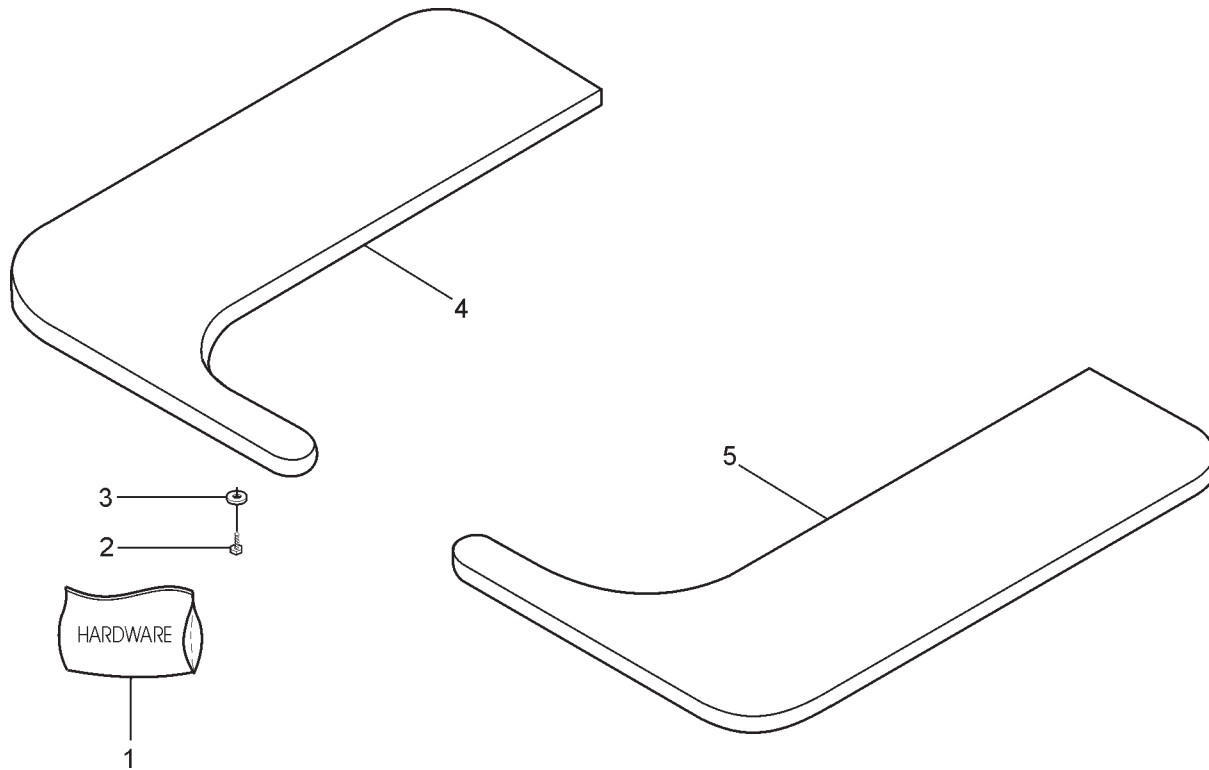
825-00

6 Boxes 625-01 Super Track - Dimensional Weight: 38 lbs. each; Dimensions: 22" x 20" x 14" each; Actual Weight: 29 lbs. each

1 Box (8 pcs. 605-77, 40 pcs. 126-08, 1 pc. 615-02-8, 1 pc. 615-12-8, 2 pcs. 615-18) Dimensional Weight: 8 lbs.; Dimensions: 11" x 15" x 8"; Actual Weight: 38 lbs.



625-10 Rear Mud Flap Kit



Ref.	Qty.	Part #	Description
1	1	625-10HDW	Hardware, Mud Flap Kit (includes Ref. 2 & 3)
2	15	112-45	THMS PHIL T/S 10" x 1"
3	15	108-42	Flatwasher, 7/32" id x 1" od x 1/16" thk.
4	1	625-11	Mudflap, LH.
5	1	625-12	Mudflap, RH.

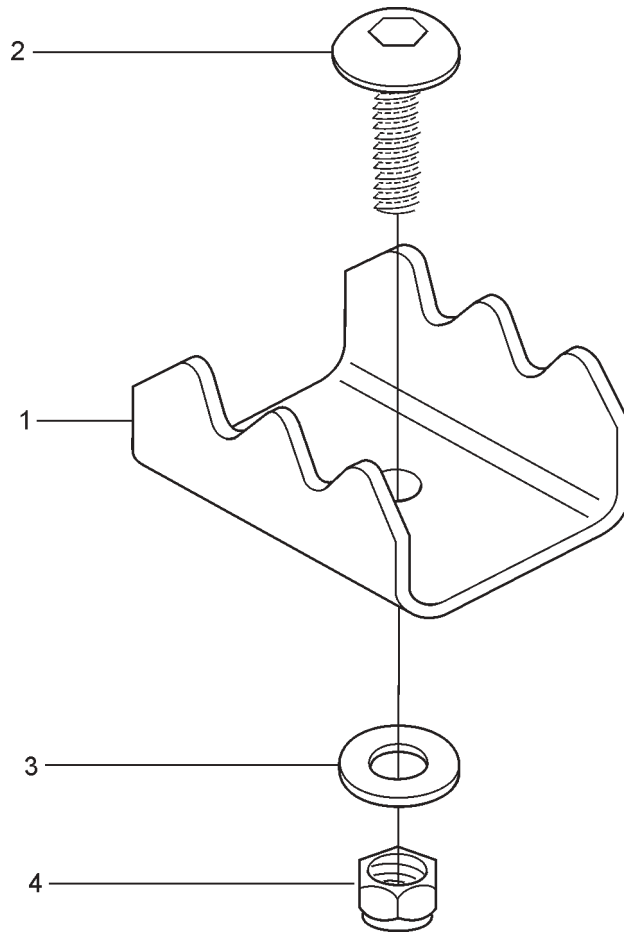
Shipping Weight and Dimensions

1 Box - Dimensional Weight: 4.23 lbs.; Dimensions: 38" x 18-1/2" x 1";
Actual Weight: 5 lbs.



625-20/825-20 Ice Cleat Kit (6x6 & 8x8)

Fits Part #625-42 Super Track segment only



Ref.	Qty. 625-42K	Qty. 825-42K	Part #	Description
1	28	36	625-21	Ice Cleat
2	28	36	112-33	BHCS 3/8-16 x .875 Gr8
3	28	36	108-26	Washer .43 x 1.02 x .09 Zn
4	28	36	117-14	Locknut, Centre 3/8 - 16

Shipping Weight and Dimensions

625-20

1 Box - Dimensional Weight: 3 lbs.; Dimensions: 8" x 6" x 8"; Actual Weight: 8 lbs.

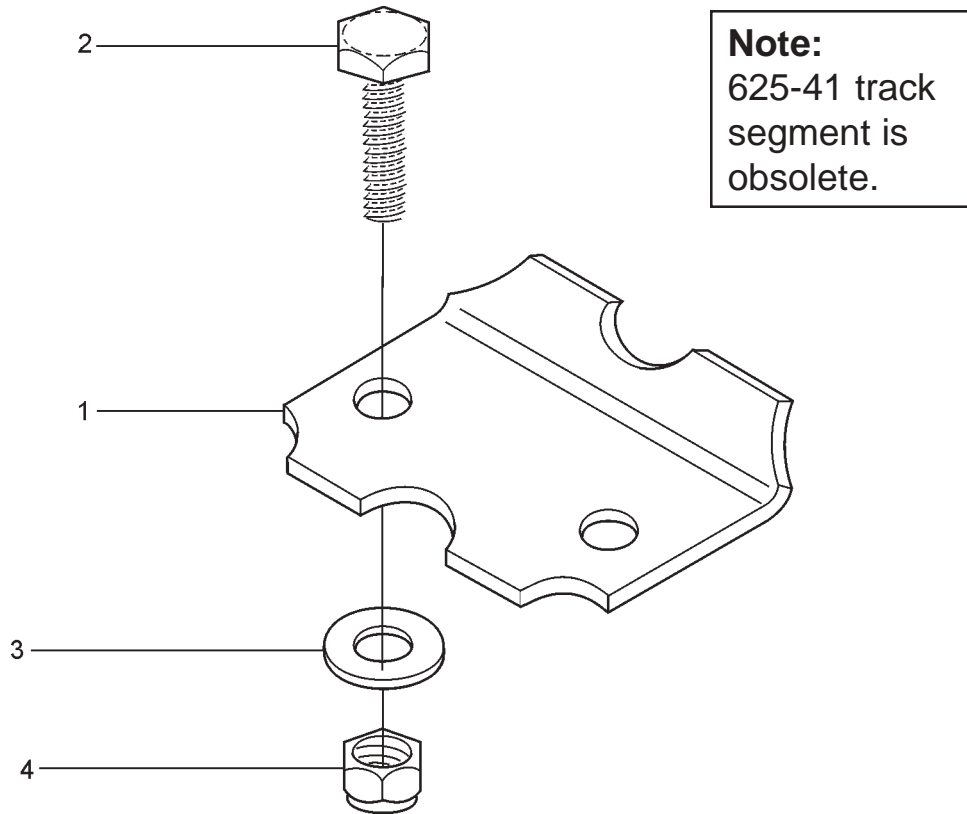
825-20

1 Box - Dimensional Weight: 3 lbs.; Dimensions: 8" x 6" x 8"; Actual Weight: 9 lbs.



625-22/825-22 Ice Cleat Kit (6x6 & 8x8)

Fits Part #625-41 Super Track segment only



Ref.	Qty. 625-22	Qty. 825-22	Part #	Description
1	58	72	625-23	Ice Cleat
2	116	144	103-08	HHCS 1/4" x 1.0
3	116	144	108-08	Washer, .28 x .62 x .04 Zn
4	116	144	117-27	Locknut, Nylon 1/4" - 20 Zn

Shipping Weight and Dimensions

625-22

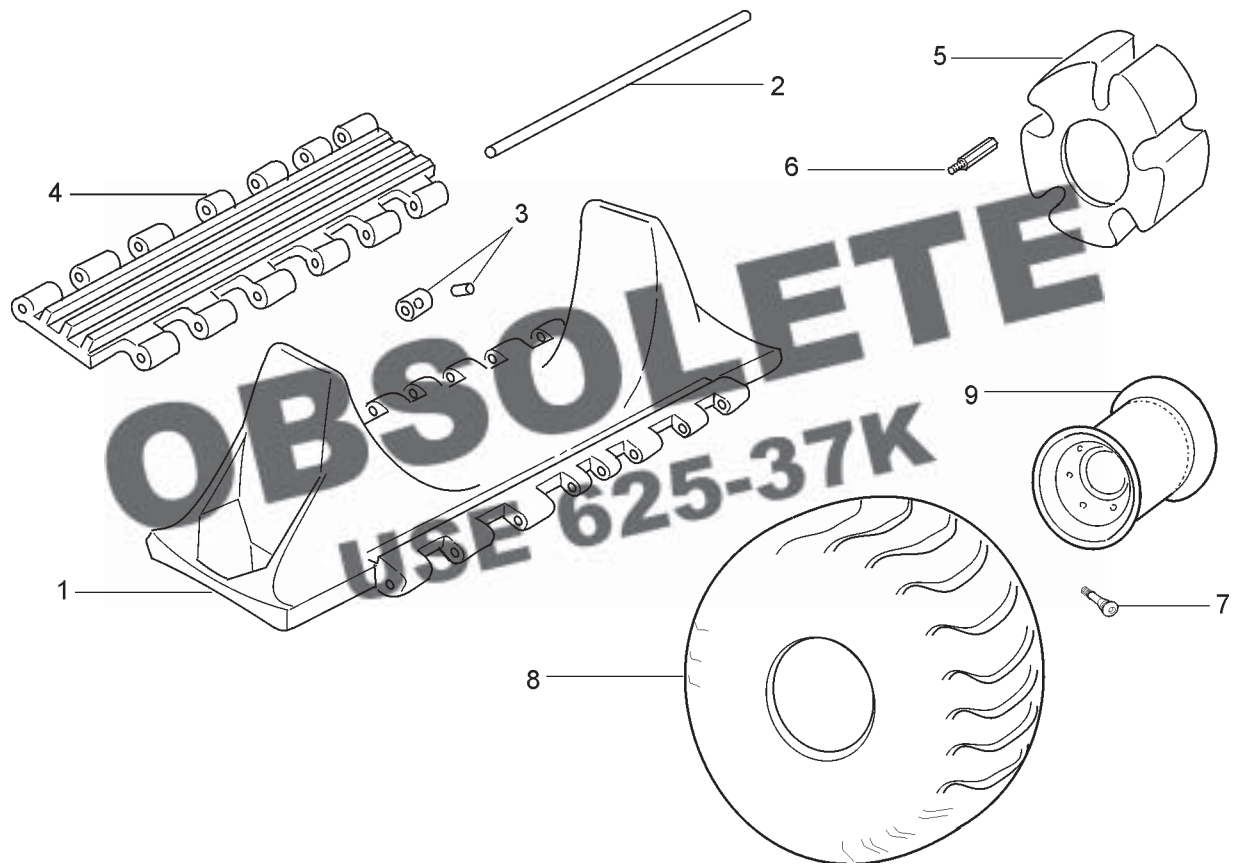
1 Box - Dimensional Weight: 3 lbs.; Dimensions: 8" x 6" x 8"; Actual Weight: 8 lbs.

825-22

1 Box - Dimensional Weight: 3 lbs.; Dimensions: 8" x 6" x 8"; Actual Weight: 9 lbs.



625-36 Super Track Kit - 6x6 Bigfoot



Ref.	Qty.	Part #	Description
1	58	625-41	Super Track Segment
2	1	615-02-6	Track Pin Set (62 pcs.) - 6x6
3	1	615-12-6	Bushing Set (62 pcs.) - 6x6 c/w Set Screws (64 pcs.)
4	2	615-21	Half Segment - Track - Plastic
5	6	605-77	Axle Extension
6	30	126-08	Extension Stud
7	6	125-26	Valve, Tire
8	6	126-96	Tire, Goodyear Runamuk 22 x 10-8
9	6	125-13C	Rim - Charcoal

Extra parts included: pins, lock bushing and SHSS #10-32 for future replacement

Shipping Weight and Dimensions

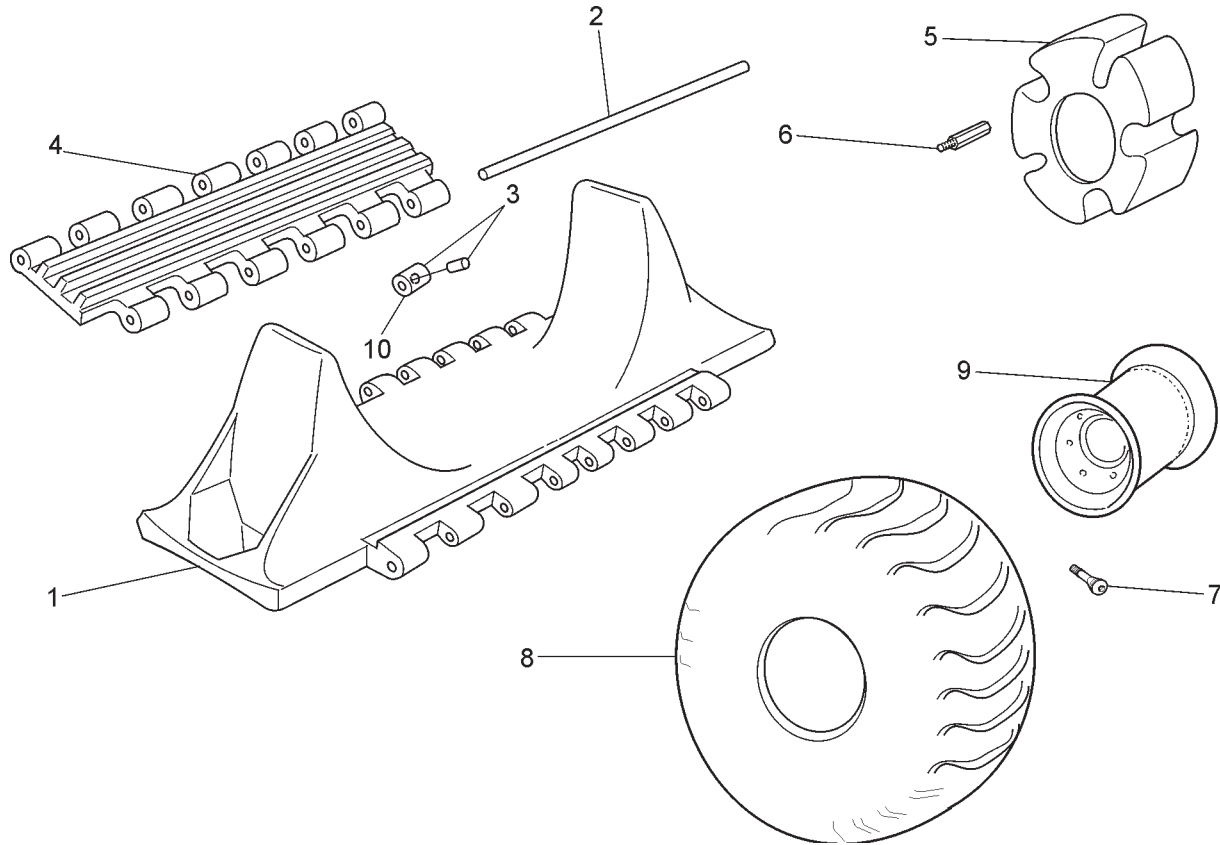
4 Boxes - 625-41 Super Track - Dimensional Weight: 38 lbs.; Dimensions: 22" x 20" x 14";
Actual Weight: 29 lbs.

1 Box (10 pcs. 625-41, 6 pcs. 605-77, 1 pc. 615-02-6, 1 pc., 615-12-6, 2 pcs. 615-18)

Dimensional Weight: 5 lbs.; Dimensions: 14" x 10" x 6"; Actual Weight: 29 lbs.

6 pcs. - Tire and Rim - Dimensional Weight: 27 lbs. each; Dimensions: 21" x 21" x 10" each;
Actual Weight: 20 lbs. each

625-37K Super Track Kit - 6x6 Bigfoot & Conquest



Ref.	Qty.	Part #	Description
1	58	625-42	Super Track Segment
2	1	615-02-6	Track Pin Set (62 pcs.) - 6x6
3	1	615-12-6	Bushing Set (62 pcs.) - 6x6 c/w Set Screws (64 pcs.)
4	2	615-21	Half Segment - Track - Plastic
5	6	605-77	Axle Extension
6	32	126-08	Extension Stud
7	6	125-26	Valve, Tire
8	6	126-96	Tire, Goodyear Runamuk 22 x 10-8
9	6	125-13C	Rim - Charcoal

Extra parts included:

615-02-6 pins(2), 615-12-6 lock bushing(3) and SHSS #10-32(10) for future replacement.

Shipping Weight and Dimensions

4 Boxes - 625-42 Super Track - Dimensional Weight: 38 lbs.; Dimensions: 22" x 20" x 14"; Actual Weight: 29 lbs.

1 Box (10 pcs. 625-42, 6 pcs. 605-77, 1 pc. 615-02-6, 1 pc., 615-12-6, 2 pcs. 615-18)

Dimensional Weight: 5 lbs.; Dimensions: 14" x 10" x 6"; Actual Weight: 29 lbs.

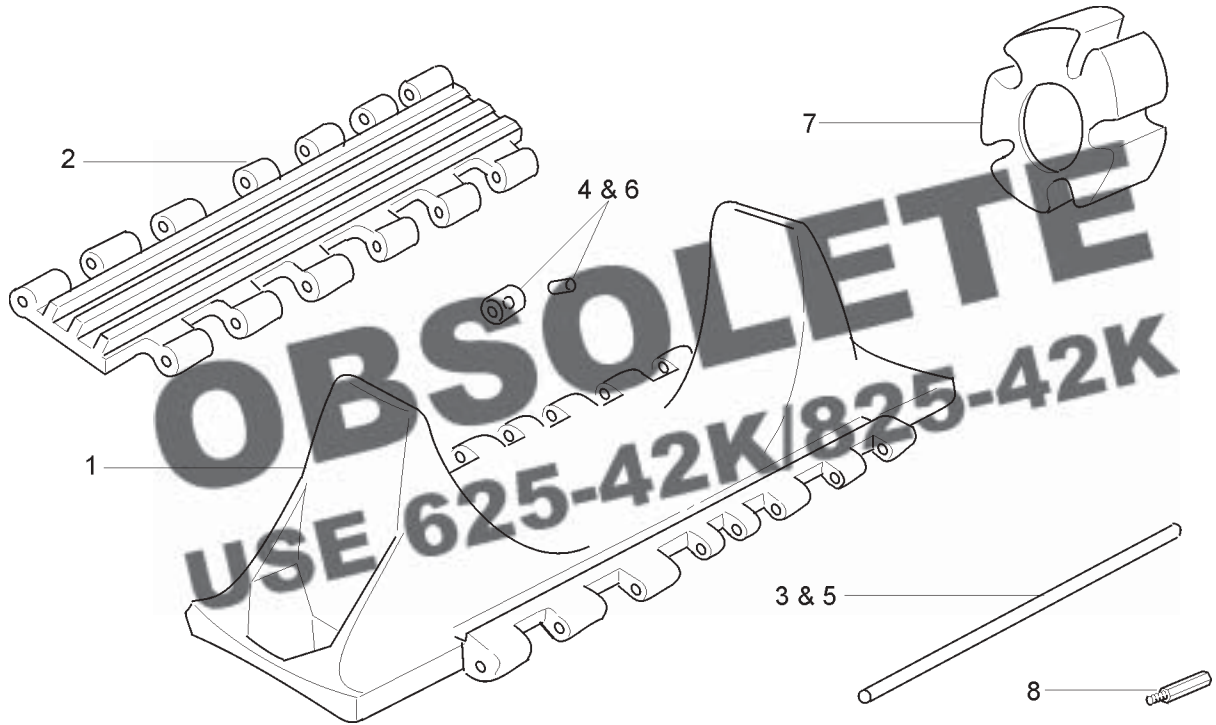
6 pcs. - Tire - Dimensions: 21" x 21" x 10" each; Weight: 15 lbs. each

6 pcs. - Rims - Dimensions: 9" x 9" x 8"; Weight 5 lbs.



625-40 Super Track Kit - Vanguard and Vanguard2

825-40 Super Track Kit - 8x8



Ref.	Qty. 6 whl.	Qty. 8 whl.	Part #	Description
1	58	72	625-41	Super Track Segment
2	2	2	615-21	Half Segment - Track - Plastic
3	1		615-02-6	Track Pin Set (62 pcs.) - 6x6
4	1		615-12-6	Bushing Set (62 pcs.) - 6x6 c/w Set Screws (64 pcs.)
5		1	615-02-8	Track Pin Set (78 pcs.) - 8x8
6		1	615-12-8	Bushing Set (78 pcs.) - 8x8 c/w Set Screws (80 pcs.)
7	6	8	605-77	Axle Extension
8	30	40	126-08	Extension Stud

Extra parts included: pins, lock bushing and SHSS #10-32 for future replacement

Shipping Weight and Dimensions

625-40

4 Boxes 625-41 Super Track - Dimensional Weight: 38 lbs. each; Dimensions: 22" x 20" x 14" each; Actual Weight: 29 lbs. each

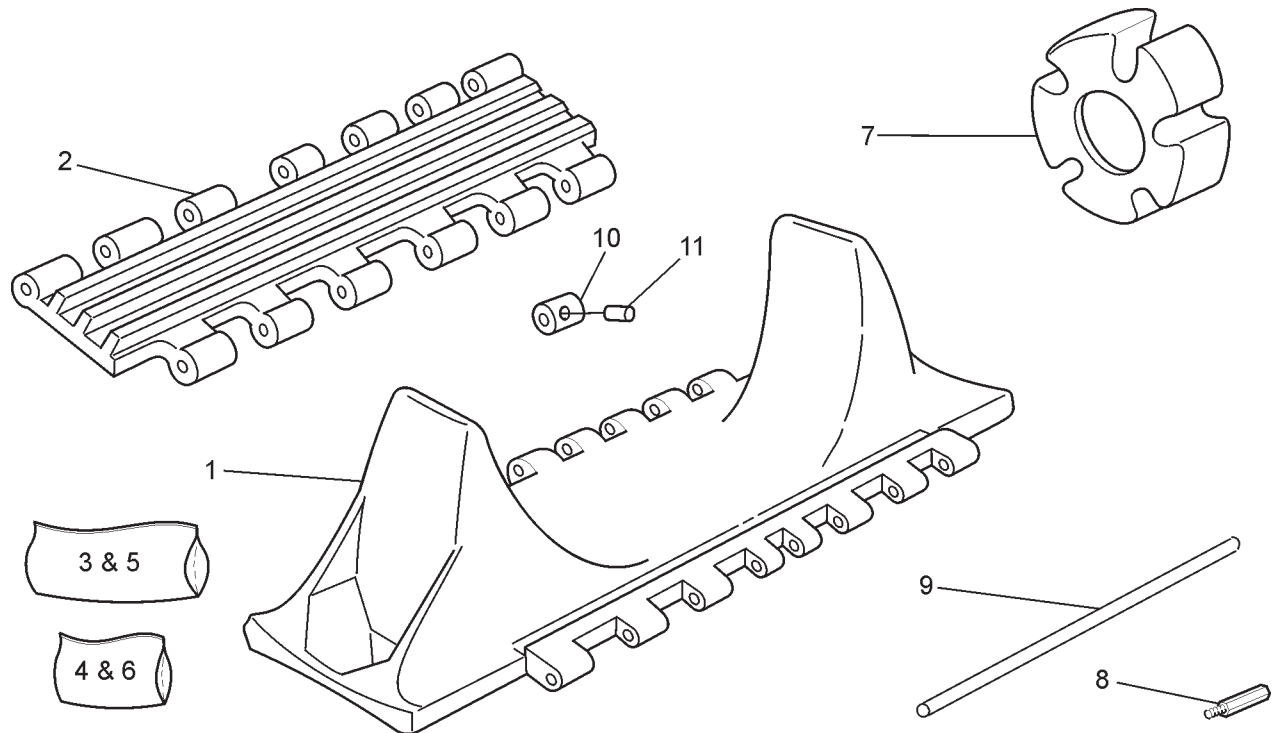
1 Box (10 pcs. 625-41, 6 pcs. 605-77, 30 pcs. 126-08, 1 pc. 615-02-6, 1 pc. 615-12-6, 2 pcs. 615-21) Dimensional Weight: 37 lbs.; Dimensions: 22" x 20" x 14"; Actual Weight: 44 lbs.

825-40

6 Boxes 625-41 Super Track - Dimensional Weight: 38 lbs. each; Dimensions: 22" x 20" x 14" each; Actual Weight: 29 lbs. each

1 Box (8 pcs. 605-77, 40 pcs. 126-08, 1 pc. 615-02-8, 1 pcs. 615-12-8, 2 pcs. 615-21) Dimensional Weight: 8 lbs.; Dimensions: 11" x 15" x 8"; Actual Weight: 38 lbs.

625-42K/825-42K Super Track Kit



Ref.	Qty. 6 whl.	Qty. 8 whl.	Part #	Description
1	58	72	625-42	Super Track Segment
2	2	2	615-21	Half Segment - Track - Plastic
3	1		615-02-6	Track Pin Set (62 pcs.) - 6x6
4	1		615-12-6	Bushing Set (62 pcs.) - 6x6 c/w Set Screws (64 pcs.)
5		1	615-02-8	Track Pin Set (78 pcs.) - 8x8
6		1	615-12-8	Bushing Set (78 pcs.) - 8x8 c/w Set Screws (80 pcs.)
7	6	8	605-77	Axle Extension
8	32	42	126-08	Extension Stud

Extra parts included: 615-02 pins (9), 615-12 lock bushing (10), 112-68 SHSS 1/4" - 20 x 1/4" (11) and 2 of 126-08 Extension Stud (8), for future replacement.

Shipping Weight and Dimensions

625-42K

4 Boxes 625-42 Super Track - Dimensional Weight: 38 lbs. each; Dimensions: 22" x 20" x 14" each; Actual Weight: 29 lbs. each

1 Box (10 pcs. 625-42, 6 pcs. 605-77, 30 pcs. 126-08, 1 pc. 615-02-6, 1 pc. 615-12-6, 2 pcs. 615-21) Dimensional Weight: 37 lbs.; Dimensions: 22" x 20" x 14"; Actual Weight: 44 lbs.

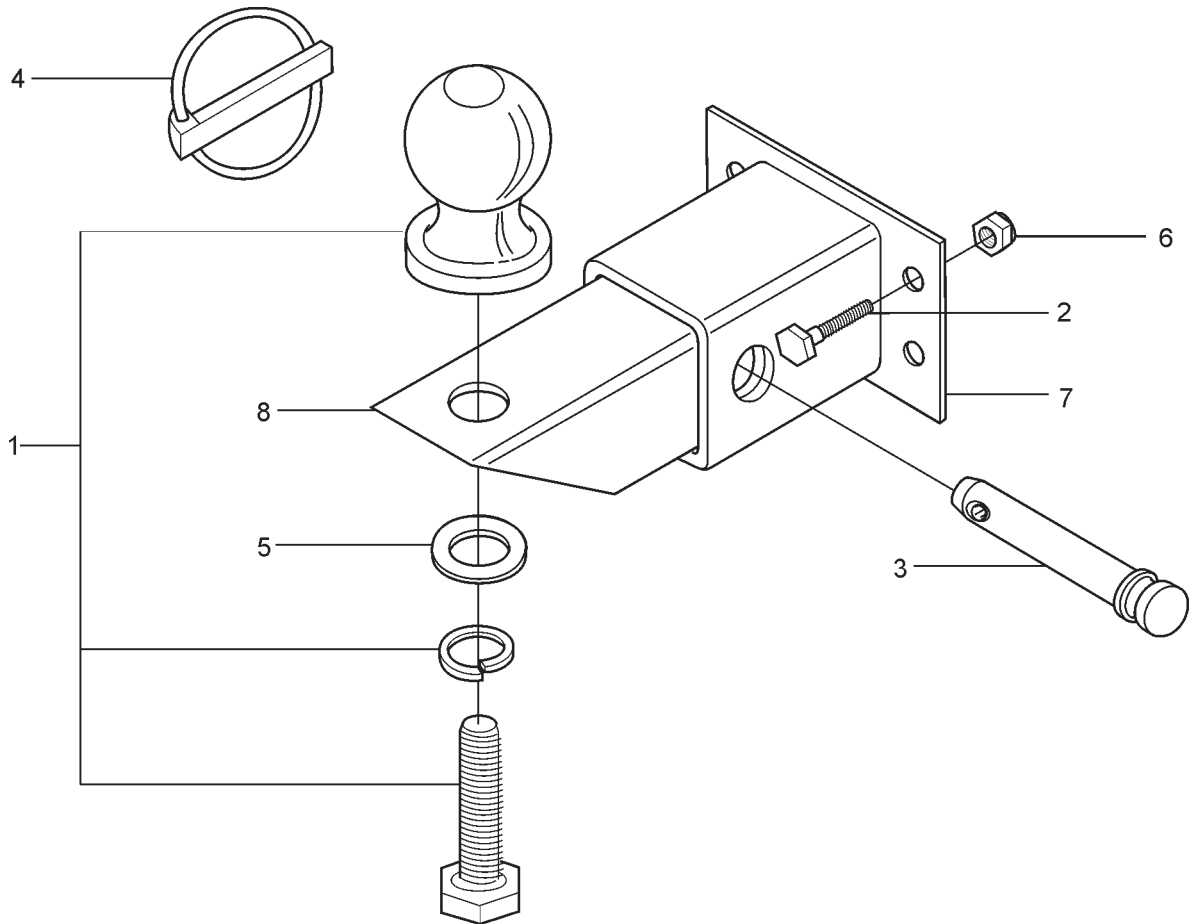
825-42K

6 Boxes 625-42 Super Track - Dimensional Weight: 38 lbs. each; Dimensions: 22" x 20" x 14" each; Actual Weight: 29 lbs. each

1 Box (8 pcs. 605-77, 40 pcs. 126-08, 1 pc. 615-02-8, 1 pcs. 615-12-8, 2 pcs. 615-21) Dimensional Weight: 8 lbs.; Dimensions: 11" x 15" x 8"; Actual Weight: 38 lbs.



626-10 Trailer Hitch Kit



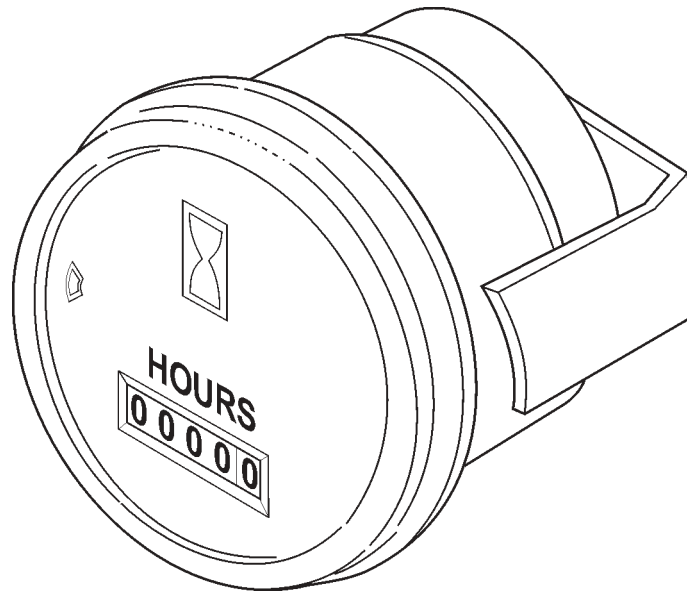
Ref.	Qty.	Part #	Description
1	1	100-61	Coupler Ball - includes Bolt and Lockwasher
2	4	103-61	HHCS 3/8-24 x 1-1/2"
3	1	104-13	Pin, Top Link
4	1	104-11	Pin, Lynch
5	1	108-53	Flatwasher, 3/4" SAE
6	4	117-24	Locknut 3/8-24
7	1	616-16	Hitch ASM
8	1	616-19	Hitch Insert Tube

Shipping Weight and Dimensions

1 piece - Dimensional Weight: 1 lb.; Dimensions: 7" x 3-1/2" x 6"; Actual Weight: 7 lbs.



632-15 Hourmeter



Ref.	Qty.	Part #	Description
1	1	632-15	Hourmeter

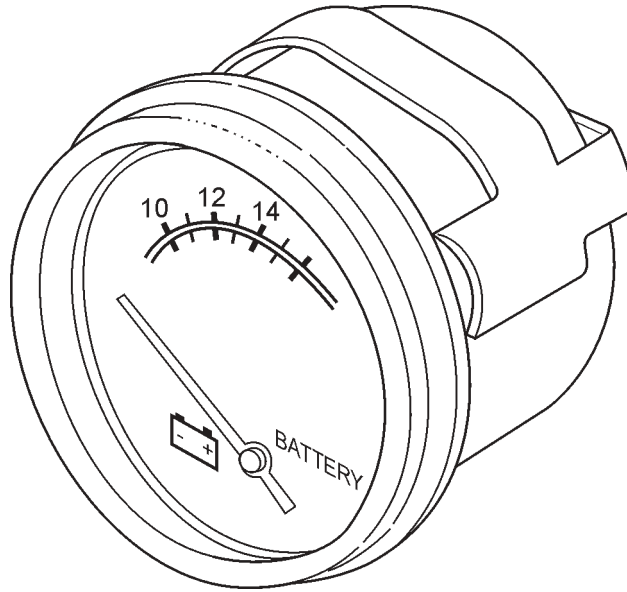
Shipping Weight and Dimensions

1 Box - Dimensional Weight: .2 lbs.; Dimensions: 3" x 2 3/4" x 3 1/4"; Actual Weight: .5 lbs.



Ontario Drive & Gear
Phone (519) 662-2840 Fax (519) 662-2421

633-10 Voltmeter



Ref.	Qty.	Part #	Description
1	1	633-10	Voltmeter

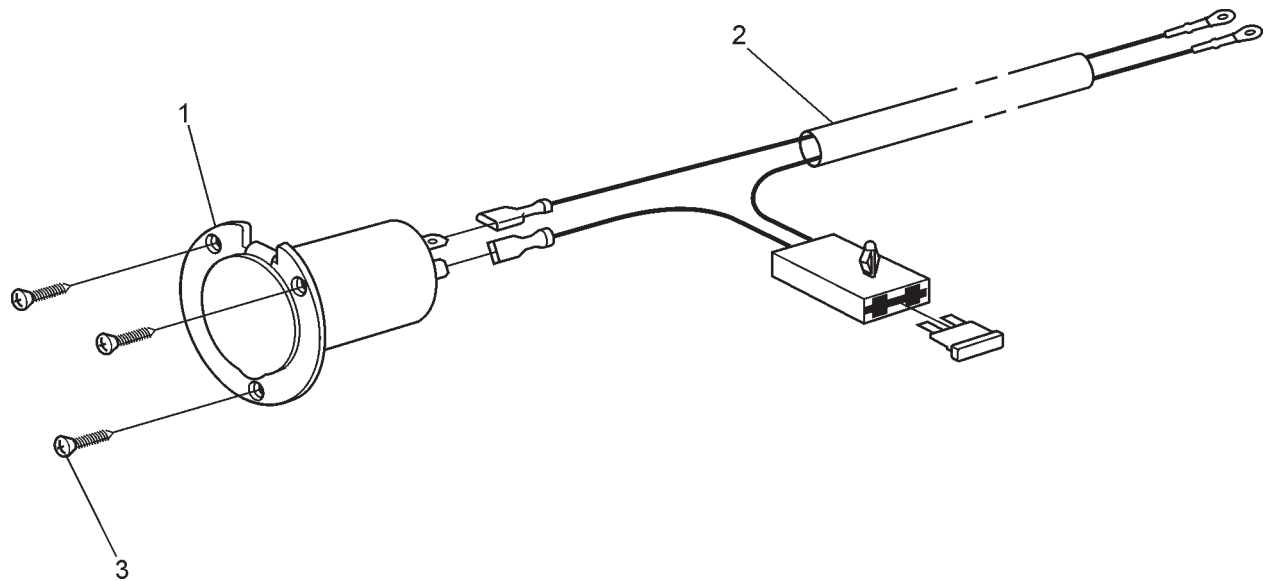
Shipping Weight and Dimensions

1 Box - Dimensional Weight: .2 lbs.; Dimensions: 3" x 2 3/4" x 3 1/4"; Actual Weight: .5 lbs.

Ontario Drive & Gear
Phone (519) 662-2840 Fax (519) 662-2421



633-25 -12 Volt Outlet Kit



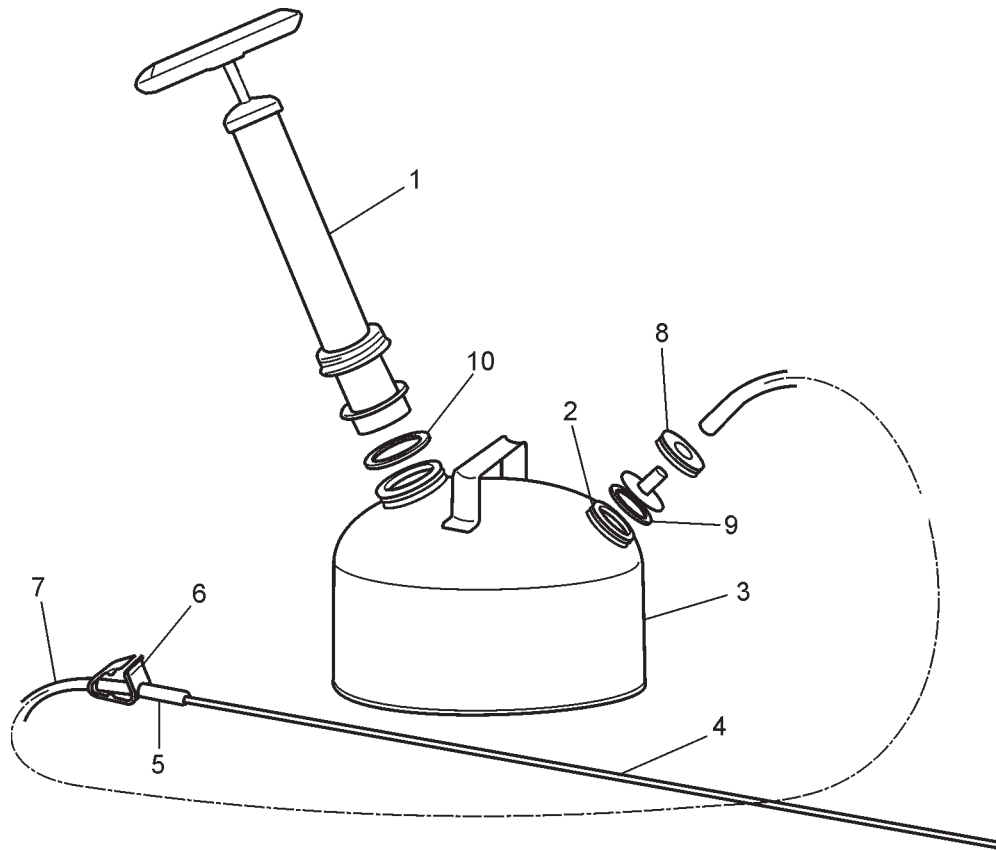
Ref.	Qty.	Part #	Description
1	1	613-90	Outlet, 12V DC
2	1	613-91	Wire Harness, 12V Accessory Outlet
3	3	112-139	OHPS T/S #4 x 5/8 Black Zn

Shipping Weight and Dimensions
1 Piece 4" x 4" x 1"; Actual Weight: 1 lb.



Ontario Drive & Gear
Phone (519) 662-2840 Fax (519) 662-2421

638-02 Oil Change Pump



Ref.	Qty.	Part #	Description
1	1	638-02	Vacuum Pump (includes Ref. 2-10 - components not sold separately)

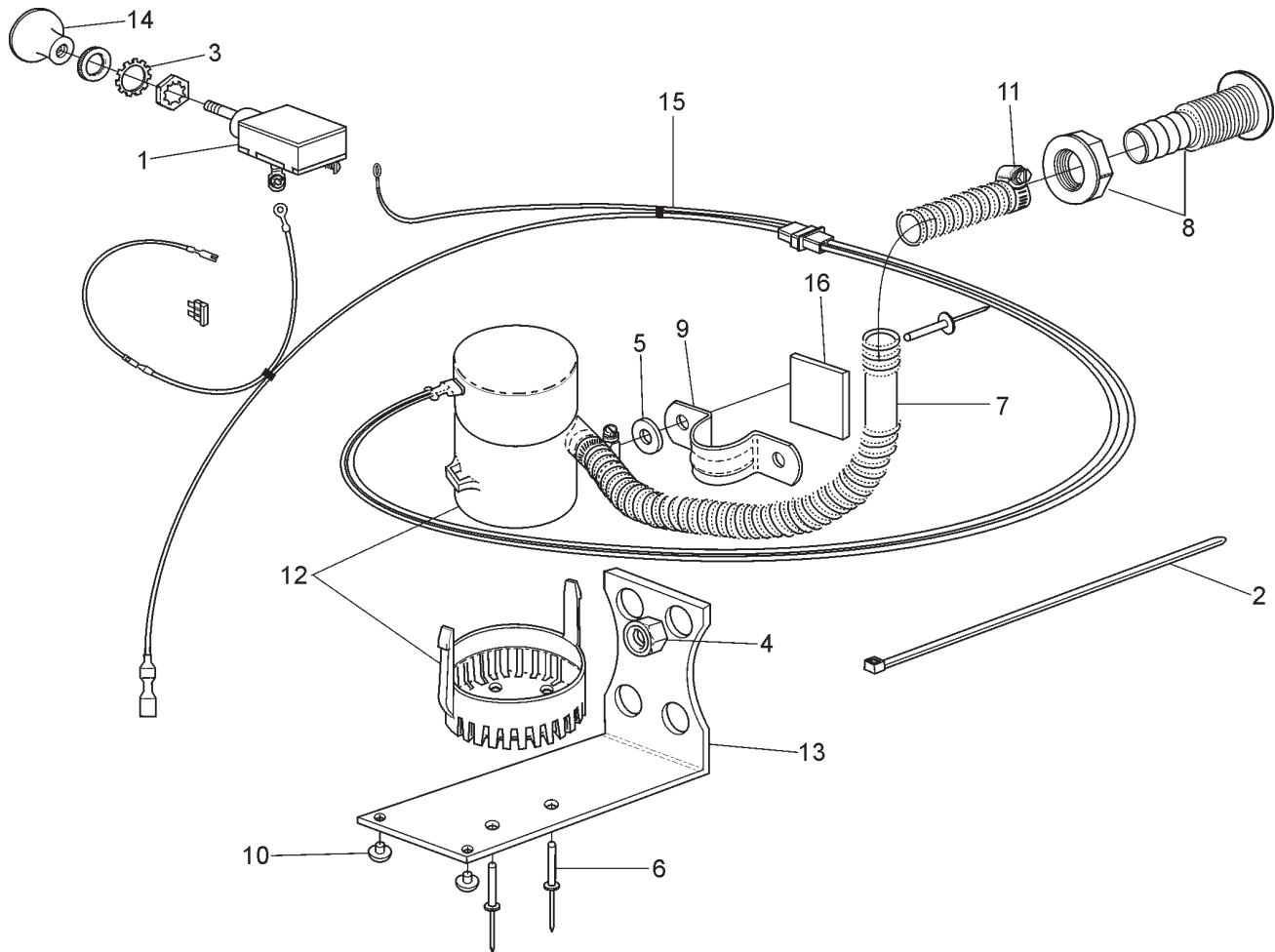
Shipping Weight and Dimensions

1 Box; Dimensional Weight: 10lbs.; Dimensions:12" x 12" x 12"; Actual Weight: 6 lbs.

Ontario Drive & Gear
Phone (519) 662-2840 Fax (519) 662-2421



638-25 Bilge Pump Kit



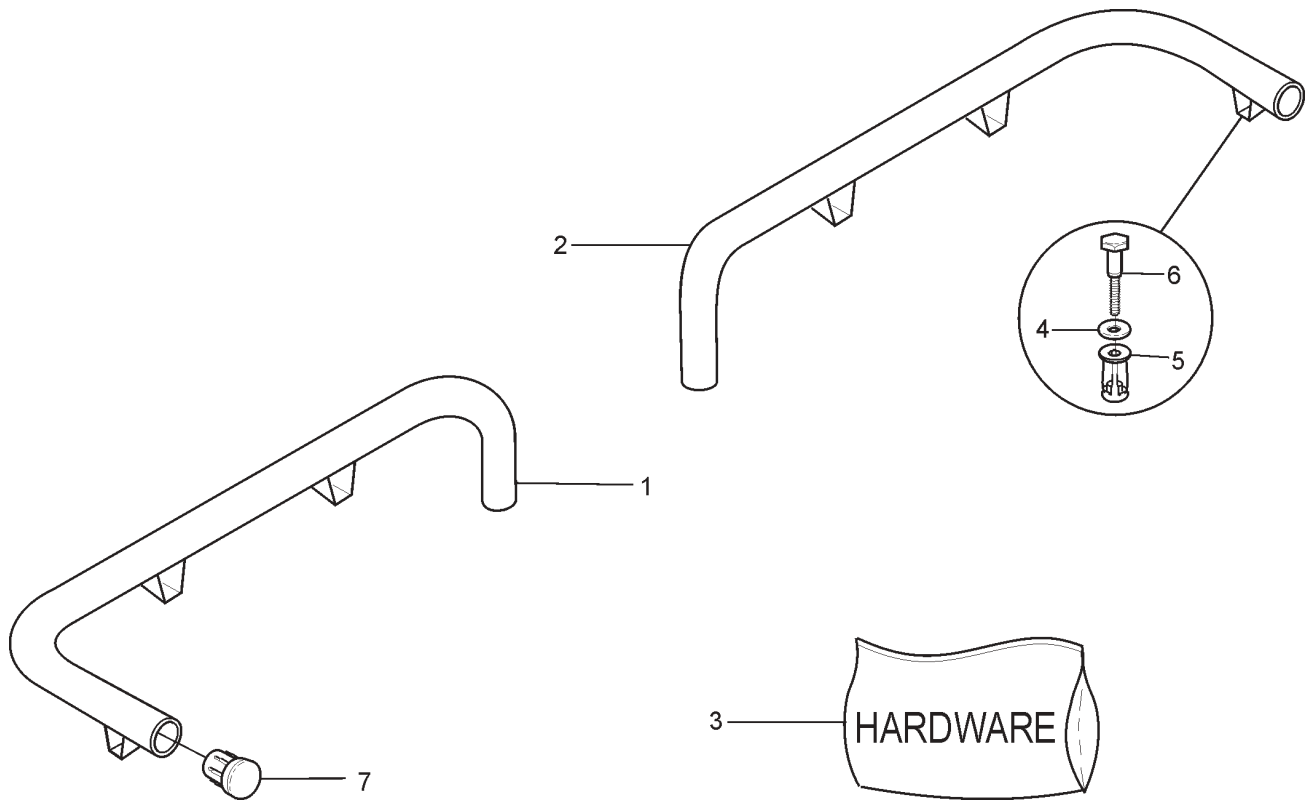
Ref.	Qty.	Part #	Description
1	1	100-62	Switch, Light
2	10	100-64	Tie Wrap
3	1	108-55	Washer
4	2	117-29	Locknut, Nylon
5	4	120-04	Washer, 3/16"
6	4	120-13	Rivet, 3/16 x 1"
7	1	638-05	Flex Hose, 3'
8	1	638-08	Hull Fitting
9	1	638-11	1" Pipe Strap
10	2	638-14	Rubber Bumper
11	2	638-16	Gear Clamp
12	1	638-18	Bilge Pump & Wire ASM
13	1	638-19	Bracket, Bilge Pump
14	1	638-26	Knob, Switch - Bilge Pump Blk.
15	1	638-27	Wire Harness w/3 amp fuse
16	1	702-06	Foam Cushion

Shipping Weight and Dimensions

1 Piece - Dimensional Weight: .5 lb.; Dimensions: 7" x 5" x 2-1/2"; Actual Weight: .5 lb.



639-20 Handrail Kit



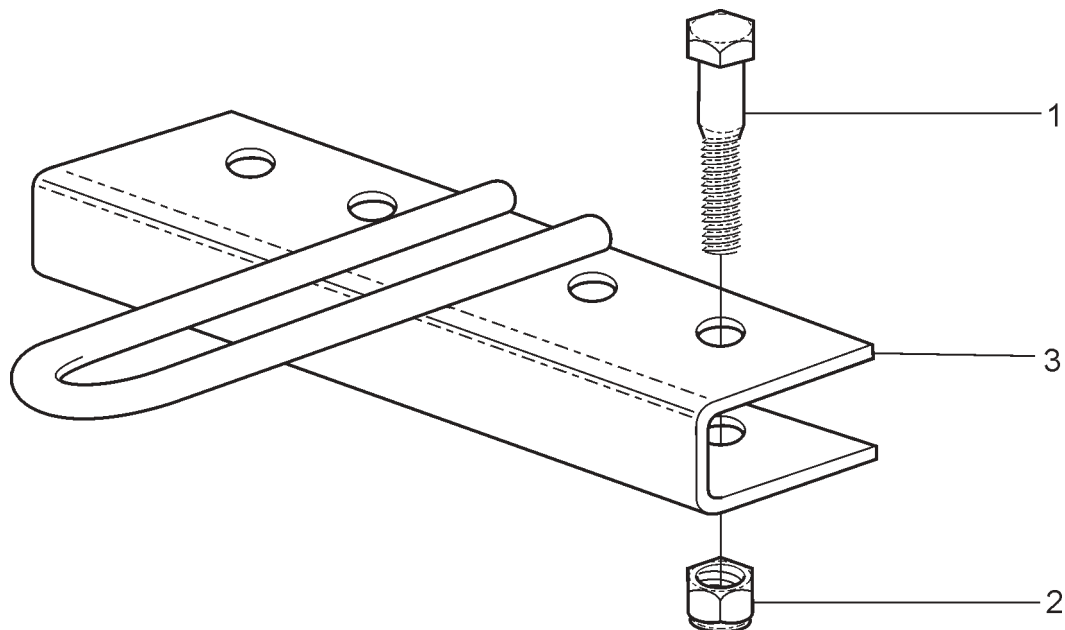
Ref.	Qty.	Part #	Description
1	1	639-21	Handrail, RH
2	1	639-22	Handrail, LH
3	1	639-20HDW	Hardware Kit includes:
4	6	108-08	Washer, 1/4"
5	6	117-53	Nut, Jack 1/4-20 8LJNS Zn
6	6	103-97	HHCS 1/4-20 x 1-1/4"
7	2	639-25	End Plug

Shipping Weight and Dimensions

1 Box - Dimensional Weight: 8 lbs.; Dimensions: 20" x 11" x 6"; Actual Weight: 3.5 lbs.



642-00 Tow Hook Kit



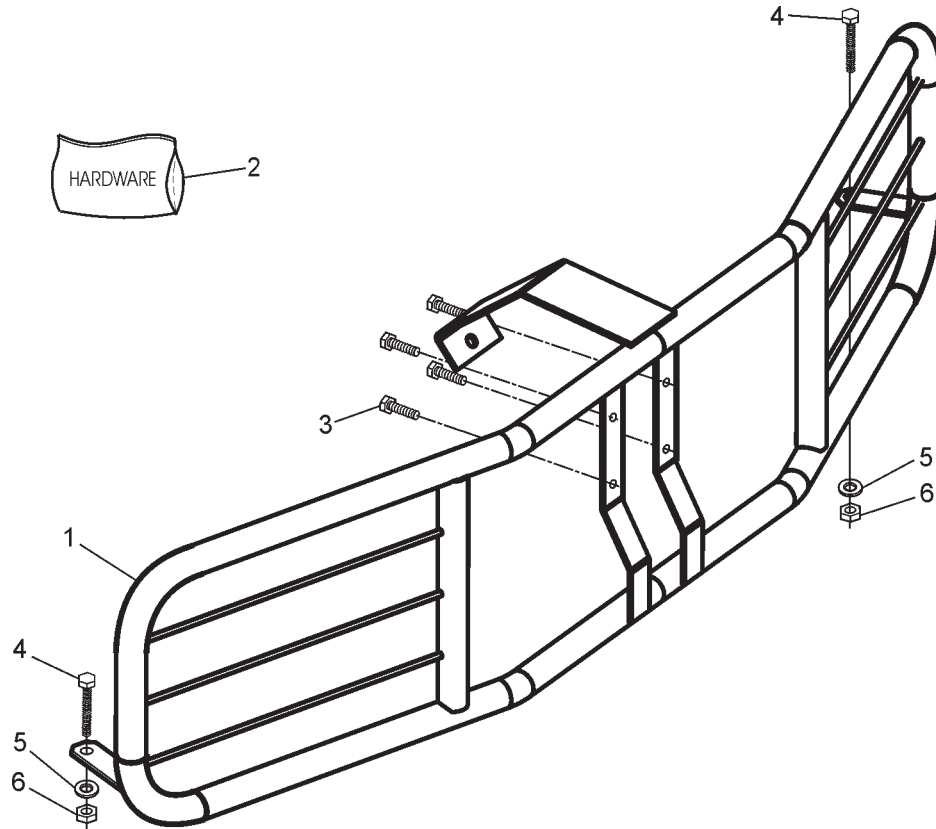
Ref.	Qty.	Part #	Description
1	4	103-68	HHCS 3/8-16x2.0 GR5 Zn
2	4	117-29	Locknut, Nylon 3/8-16 Zn
3	1	642-03	Tow Hook ASM

Shipping Weight and Dimensions

1 Box - Dimensional Weight: .5 lb.; Dimensions: 8-1/2" x 2-1/2" x 4"; Actual Weight: 2.5 lb.



642-05 Brush Guard



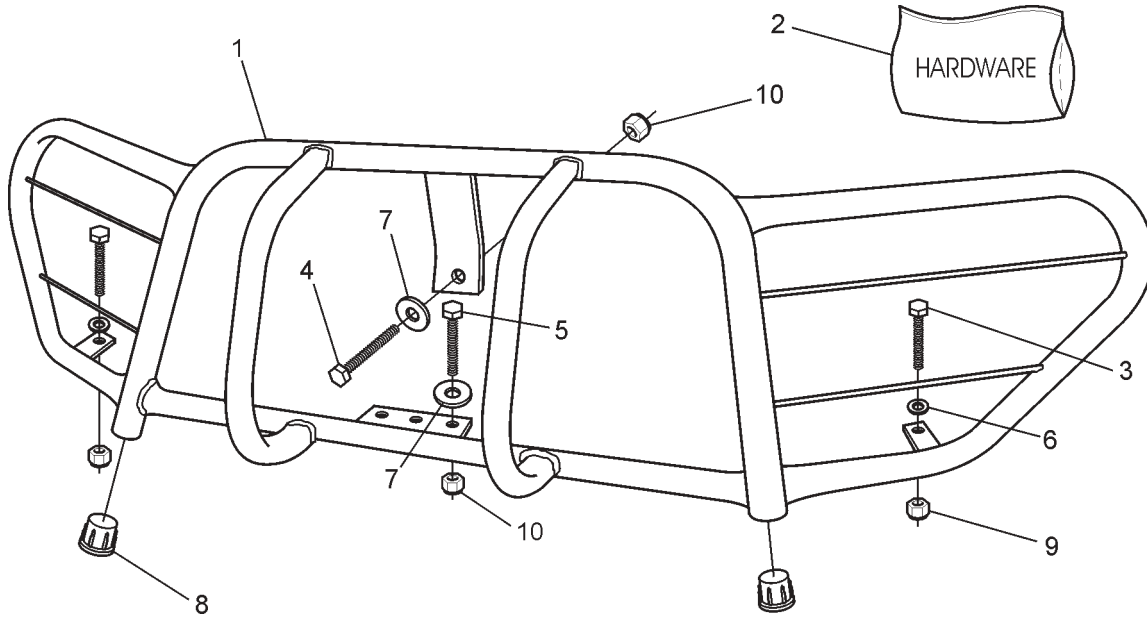
Ref.	Qty.	Part #	Description
1	1	642-10	Brush Guard Welded Assembly
2	1	642-05HDW	Hardware Kit comprised of
3	4	103-06	HHCS 5/16-18 x 1.0 GR5 Zn
4	2	103-57	HHCS 5/16-18 x 1.5 GR5 Zn
5	2	108-12	Washer, .34 x 1.00 x .06 Zn
6	2	117-21	Locknut, Nylon 5/16-18 Zn

Shipping Weight and Dimensions

1 piece 642-05, 1 piece 642-05HDW - Dimensional Weight: 28 lbs.; Dimensions: 46.5" x 11" x 9";
Actual Weight: 11 lbs.



642-20 - Brush Guard Kit - Avenger



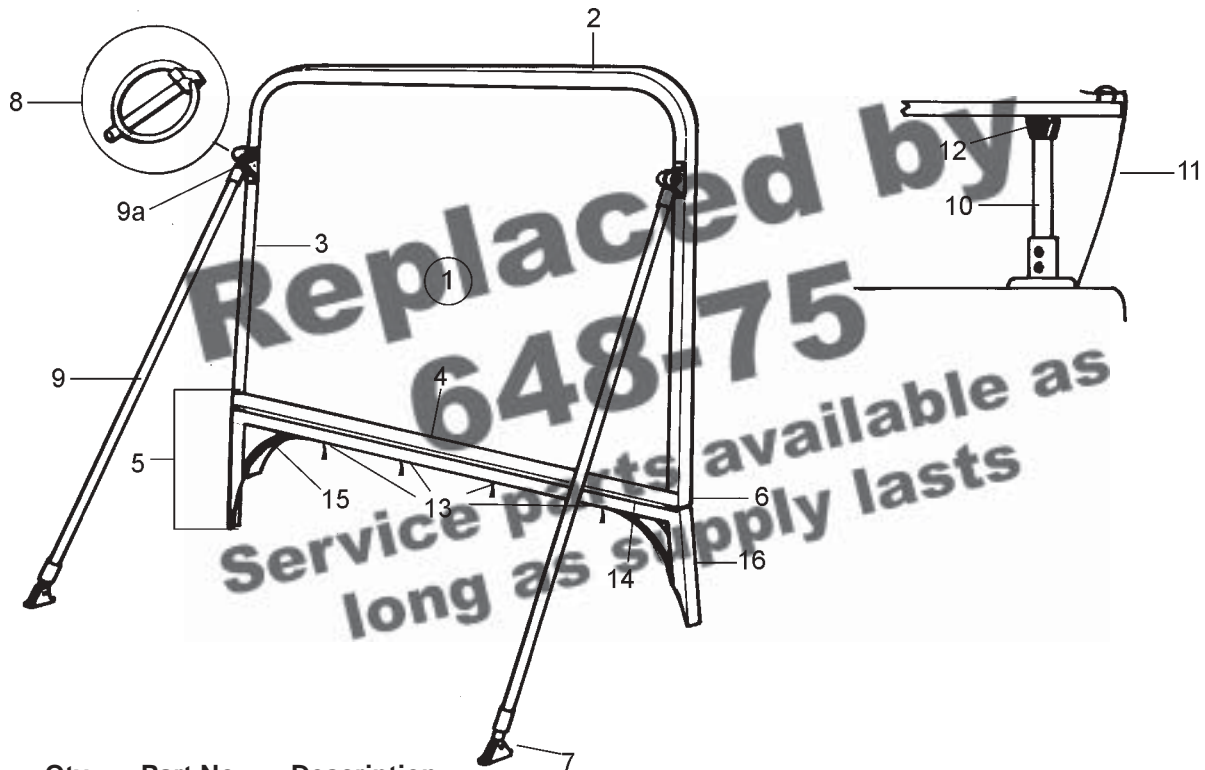
Ref.	Qty.	Part #	Description
1	1	642-30	Brush Guard Weldment
2	1	642-20HDW	Hardware Kit comprised of:
3	2	103-57	HHCS 5/16-18 x 1.5 Gr5 Zn
4	1	103-76	HHCS 3/8-16 x 1.75 Gr5 Zn
5	3	103-82	HHCS 3/8-16 x 1.5 Gr5 Zn
6	2	108-12	Washer .34 x 1.00 x .06 Zn
7	7	108-18	Washer .40 x 1.37 x .12 Zn
8	2	113-13	Plug, 1-1/4" Tube - Avg Brush Guard
9	2	117-21	Locknut, Nylon 5/16-18 Zn
10	4	117-29	Locknut, Nylon 3/8-16 Zn

Shipping Weight and Dimensions

1 piece Brush Guard Kit - Dimensional Weight: 48 lbs.; Dimensions: 51.5" x 14" x 11";
Actual Weight: 12 lbs.



648-00 Windshield



Ref.	Qty.	Part No.	Description
1	1	648-07	Glass Only
2	1	648-09	Top Bar (Chrome)
2	1	648-09B	Top Bar, Black
3	1	648-10	Gasket, around glass - 8'
4	1	648-11	Gasket, glass to hinge - 49"
5	1	848-06	Hinge Asm. Complete (includes Refs. 6, 13-16) (Chrome)
5	1	848-06B	Hinge Asm. Complete, Black (includes Refs. 6, 13-16)
6	1	648-08	Hinge Set (Chrome)
6	1	648-08B	Hinge Set, Black
7	6	627-07	Deck Bracket (4 pcs. drilled to accommodate 627-03 pin)
7	6	627-07B	Deck Bracket, Black (4 pcs. drilled to accommodate 627-03 pin)
8	2	627-03	Quick Pin
9	2	627-08	Support Arm c/w Socket Ends (Chrome)
9	2	627-08B	Support Arm c/w Socket Ends, Black
9a	4	849-11	Socket End 3/4" (Chrome)
9a	4	849-11B	Socket End 3/4", Black
10	2	627-04	Mounting Stanchion - Base, Tube, Cap (Chrome)
10	2	627-04B	Mounting Stanchion - Base, Tube, Cap - Black
11	2	627-09	Hold Down Strap
12	2	2517	Black Cap
13	4	2533	Tee Bolts #10 - 32 x 1/4"
14	1	NPN	Bottom Aluminum Extrusion
14	1	NPN B	Bottom Aluminum Extrusion - Black
15	2	NPN	Plexiglass
16	2	NPN	Side Support
16	2	NPN B	Side Support, Black

NPN - No Part Number

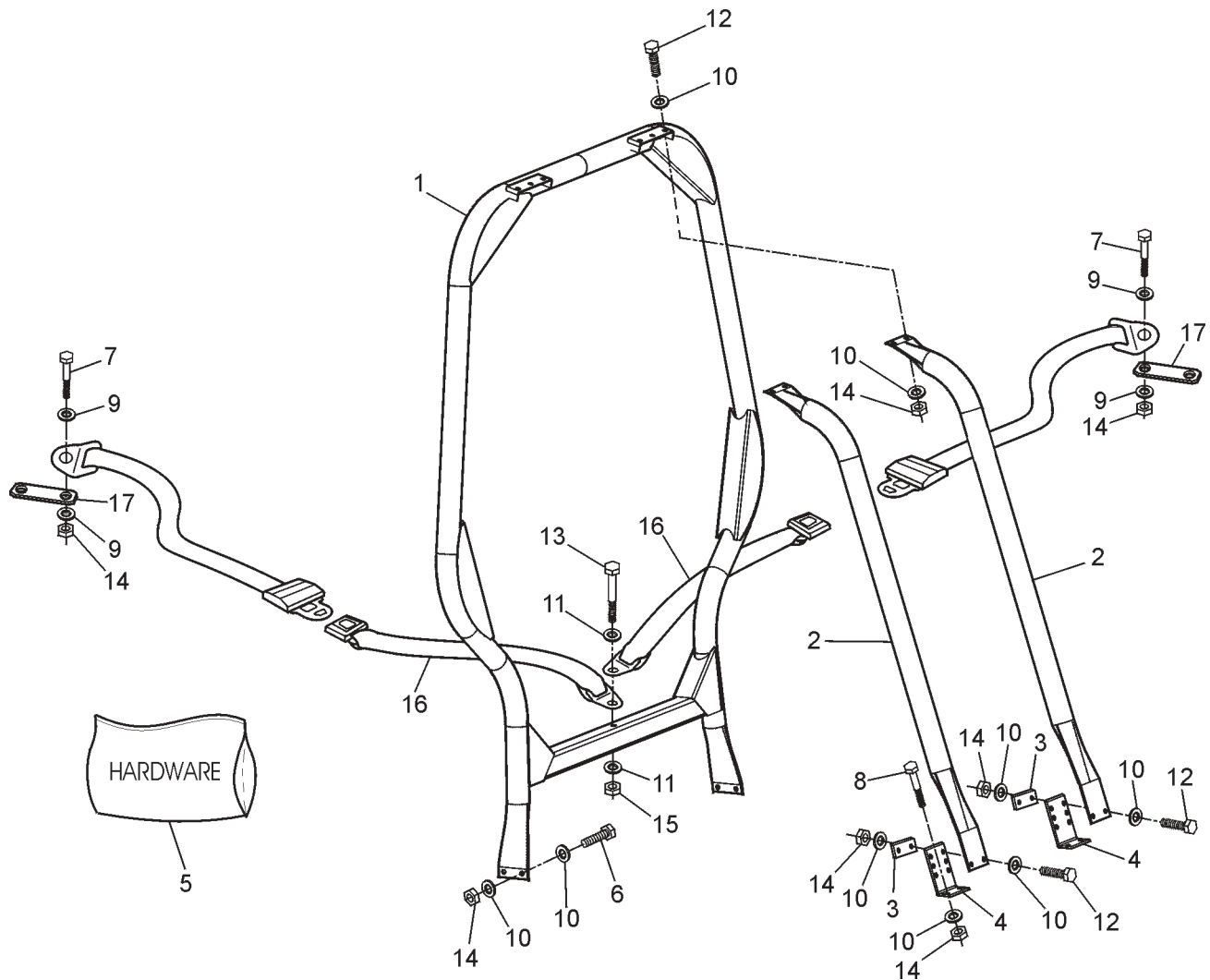
NPN parts are non-stocked, special order, 4 to 6 weeks delivery. Prices on request.

NOTE: The suffix "B" on part nos. indicates new style black parts. Old style bright chrome parts have no suffix.

Shipping Weight and Dimensions

1 piece - Dimensional Weight: 21 lbs.; Dimensions: 59" x 2" x 29"; Actual Weight: 33 lbs.

648-15 Roll Bar Kit - 6x6



Ref.	Qty.	Part No.	Description	Ref.	Qty.	Part No.	Description
1	1	648-20	Roll Bar, Welded Assembly	10	20	108-24	Washer, .34x.70x.06 Zn
2	2	648-21	Brace, Rear	11	2	108-26	Washer, .43x1.02x.09 Zn
3	2	648-27	Plate, Attachment	12	8	112-01	HHCS 5/16-18x3/4 GR5 Zn
4	2	648-28	Plate, Angle - Rear Brace	13	1	112-29	HHCS 3/8-16x2.5 GR5 Zn
5	1	648-15HDW	Hardware Kit comprised of:	14	20	117-21	Locknut, Nylon 5/16-18 Zn
6	4	103-06	HHCS 5/16-18x1.0 GR5 Zn	15	1	117-29	Locknut, Nylon 3/8-16 Zn
7	2	103-38	HHCS 5/16-18x1.25" GR5	16	2	848-56	Seat Belt Assembly c/w Label
8	6	103-57	HHCS 5/16-18x1.5" GR5	17	2	848-57	Anchor, Seat - Belt
9	16	108-12	Washer, .34x1.02x.06"				

Note:

Vehicles affected: Argo 6x6 Model #'s V698-58, V699-55 & V699-51

Serial numbers starting at: Bigfoot Serial #BF11799, Vanguard Serial #S11828 & Vanguard2 Serial #SN11825 require the 648-15 ONLY.

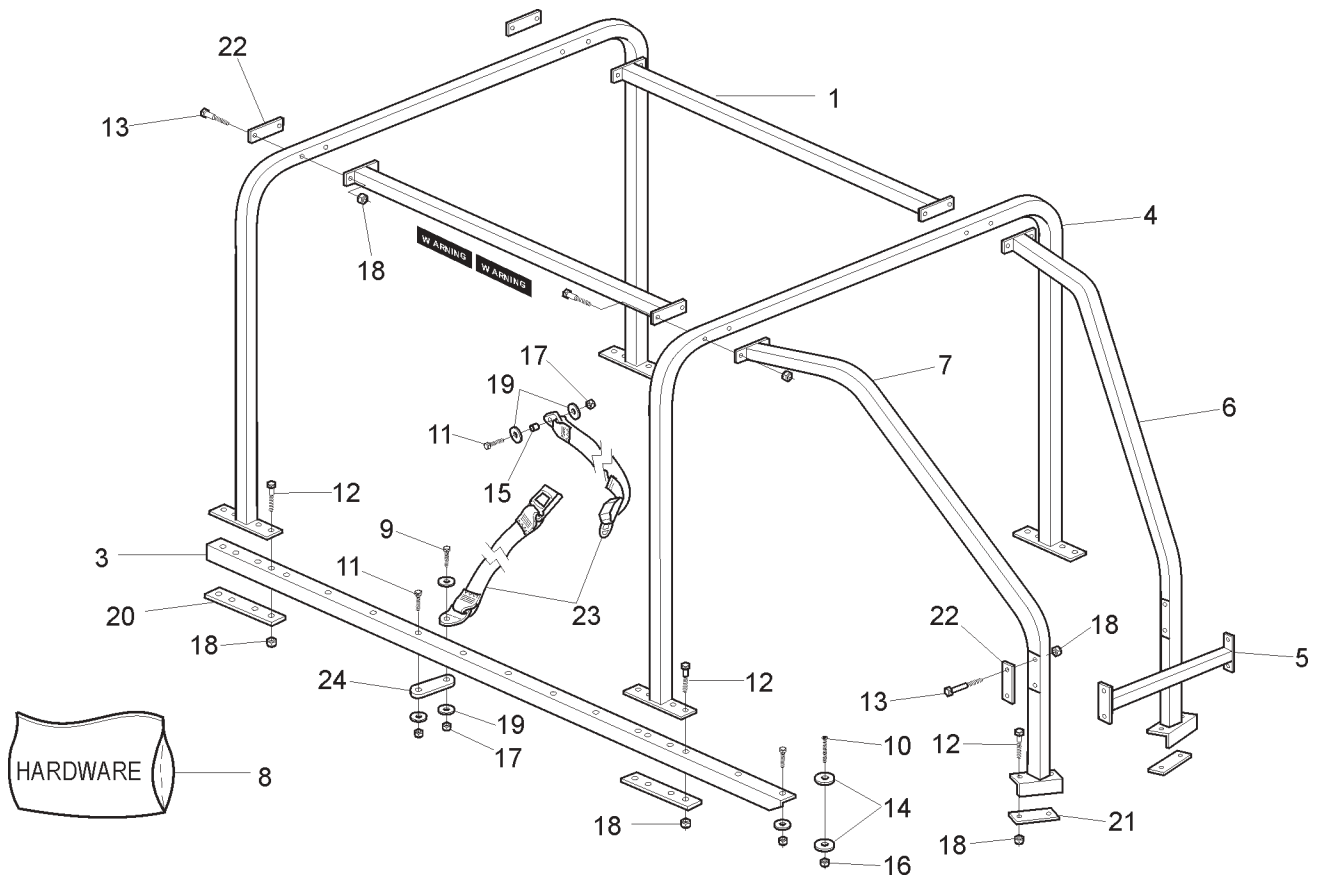
Serial numbers starting at: Bigfoot Serial #BF9212, Vanguard Serial #S10178 & Vanguard2 Serial #SN10191 will also require #648-29 ROLL BAR BRACKET KIT.

Shipping Weight and Dimensions

1 Box - Dimensional Weight: 88 lbs.; Dimensions: 61" x 48" x 5"; Actual Weight: 50 lbs.



648-40 Roll Over Protective Structure (ROPS)



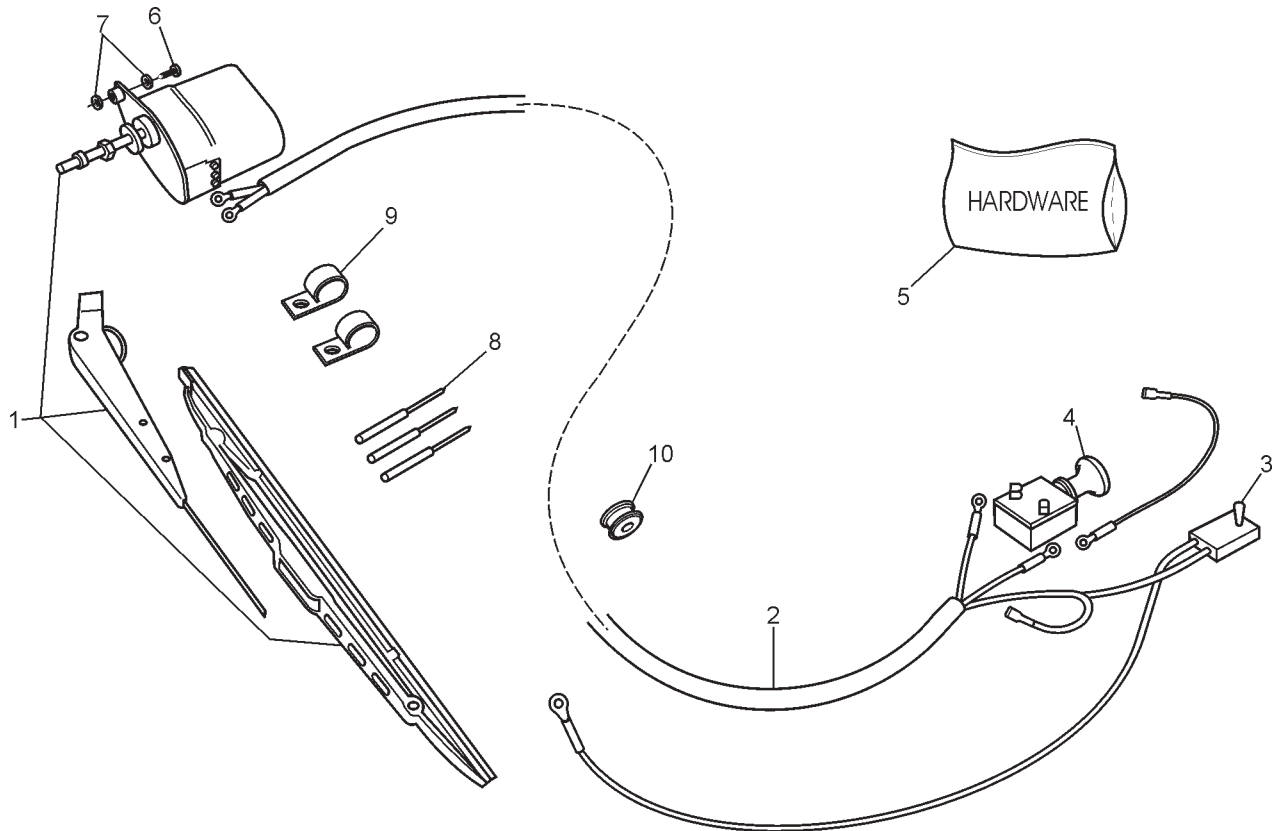
Ref.	Qty.	Part #	Description
1	2	648-41	Tube assembly - top
2	1	648-43	Angle iron - left - not shown
3	1	648-44	Angle iron - right
4	2	848-41	Hoop assembly
5	1	848-45	Tube assembly - front
6	1	848-47	Brace assembly - front left
7	1	848-49	Brace assembly - front right
8	1	848-40HDW	Hardware kit includes the following:
9	6	103-34	HHCS, 3/8 - 16 x 1.25 GR 5 Zn
10	4	103-03	PHMS, 1/4 - 20 x 1.50 Zn
11	24	103-76	HHCS, 3/8 - 16 x 1.75 GR 5 Zn
12	20	112-66	HHCS, 1/2 - 13 x 2.0 GR 5 Zn
13	12	112-67	HHCS, 1/2 - 13 x 3.0 GR 5 Zn
14	8	108-01	Washer, Fender 1/4" BS x 1.25OD
15	4	108-64	Spacer, 3/8 x 1/2 x 3/8"
16	4	117-27	Locknut, Nylon 1/4"- 20 Zn
17	30	117-29	Locknut, Nylon 3/8 - 16 Zn
18	32	117-66	Locknut, Nylon 1/2 - 13 Zn
19	38	108-26	Washer .43 x 1.02 x .09 Zn
20	4	848-53	Flange, Bumper - side
21	2	848-54	Flange, Bumper - front
22	4	848-55P	Flange, Tube
23	2	848-56	Seatbelt assemblies
24	2	848-57	Strap, Belt anchor

Shipping Weight and Dimensions

1 Box 648-40 - Dimensional Weight: 174 lbs.; Dimensions: 60" x 48" x 10"; Actual Weight: 130 lbs.



648-70 - Wiper Kit, Windshield



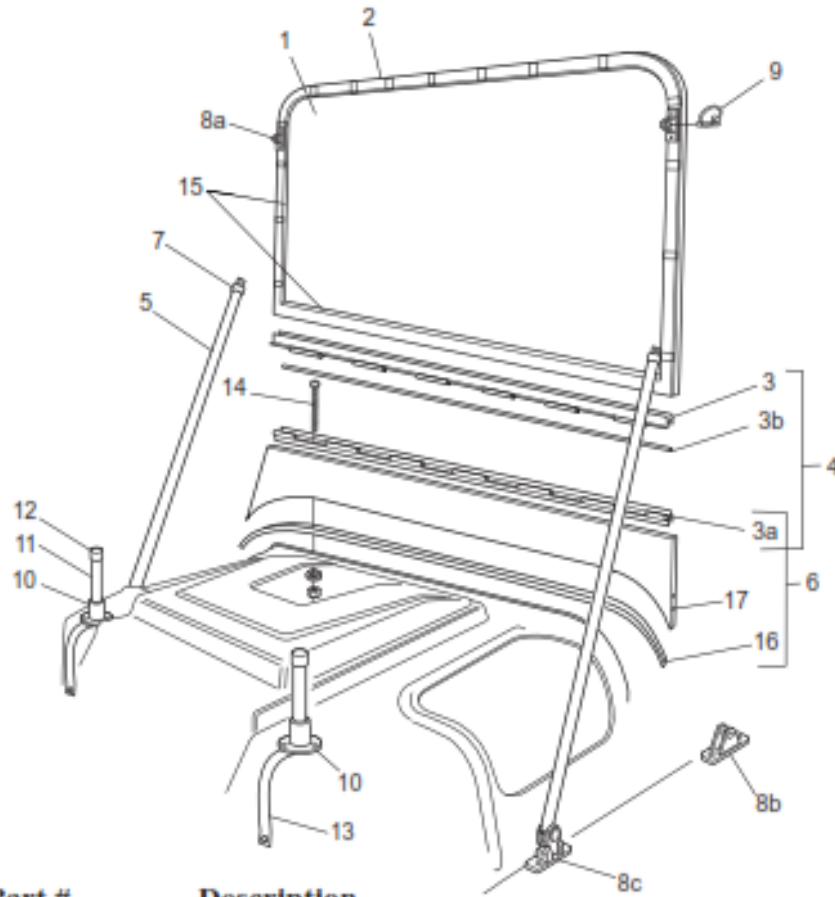
Ref.	Qty.	Part #	Description
1	1	648-71	Wiper Motor & Blade Kit
2	1	648-72	Wire Harness, Wiper Motor - Argo
3	1	100-62	Switch, Wiper
4	1	648-73	Knob, Switch – Wiper - Black
5	1	648-70HDW	Hardware Kit – Wiper Kit – Argo Includes:
6	1	112-110	Screw, Self Drill 12-14 x 1"
7	2	108-08	Washer .28x.62x.04 Zn
8	9	120-13	Rivet - 3/16 x 5/8 Black
9	9	126-93	Clamp, Nylon Wire - 1/2" ID
10	1	127-132	Grommet, rubber
11	1	108-55	Lockwasher 7/16 Ext Tooth Zn
12	1	118-68	Terminal, 3/16 Male Blade 16-14 AWG

Shipping Weight and Dimensions

1 Box 648-70 Wiper Kit - Dimensional Weight: 4 lbs.; Dimensions: 10.5" x 10.5" x 6"; Actual Weight: 3.5 lbs.



648-75 Windshield

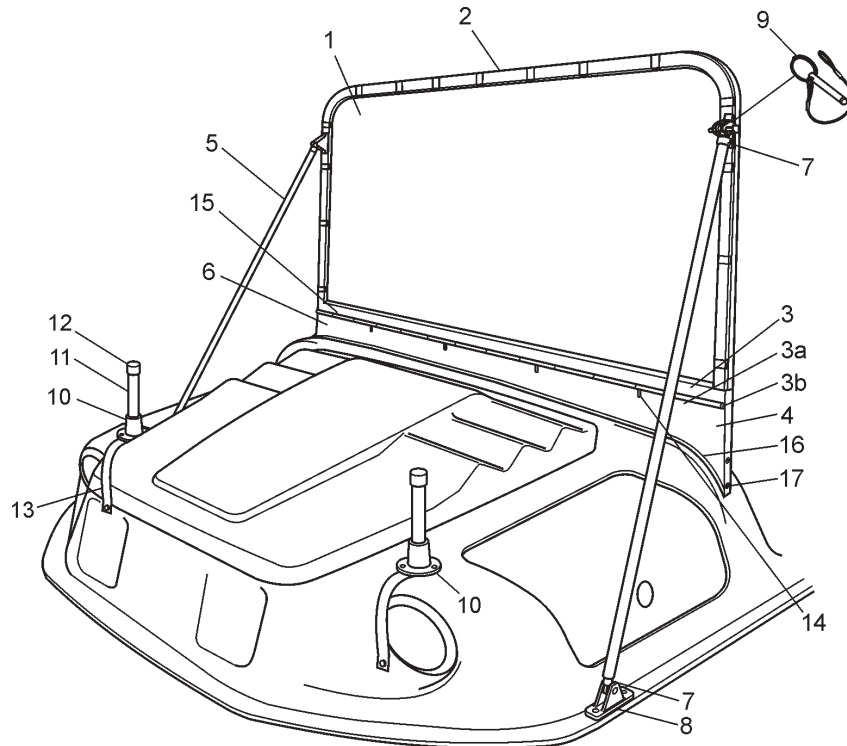


Ref.	Qty.	Part #	Description
1	1	002904-1C-A	Windshield, Acrylic for 648-75
2	1	002904-2B	Top Bar (Black)
3	1	002904-3B	Hinge, Top (Black)
3a	1	002904-3A'-B	Hinge, Bottom and Gasket Inside
3b	1	002904-3B'-B	Rod, Aluminum
4	1	002904-4B	Complete Hinge Set - Black (#3, 3a & 3b)
5	2	002904-5B	Support Arm (Black)(Complete with socket ends, #7)
6	2	002904-6B	Plexiglass, Bronze or Black, and Gasket -NLA. Use 002905-6B-AVG
7	4	002904-7B	Socket End (Black) and Gasket
8a	2	002904-8A-B	Deck Bracket, Angled (Black)
8b	2	002904-8B-B	Deck Bracket, Straight (Black)
8c	2	002904-8C-B	Deck Bracket, Straight, for screw (Black)
9	2	627-03	Quick Pin
10	2	002904-10B	Round Base (Black)
11	2	002904-11B	Tube (Black)
12	2	002904-12B	PVC Black Cap
13	2	002904-13B	Strap (Black)
14	4	002904-14	Bolts, Stainless Steel
14a	4	002904-14A	Jack Nuts (Not Illustrated)
15	1	002904-15	Gasket Around Glass
16	1	002904-16	Gasket - Windshield to Body
17	4	002904-17	#8 1-1/4" Phillips Head Screw
18	14	002904-18	#8 3/4" Phillips Head Screw (Not Illustrated)

Shipping Weight and Dimensions

1 piece - Dimensional Weight: 21 lbs.; Dimensions: 54" x 3" x 33"; Actual Weight: 39 lbs.

648-80 Windshield



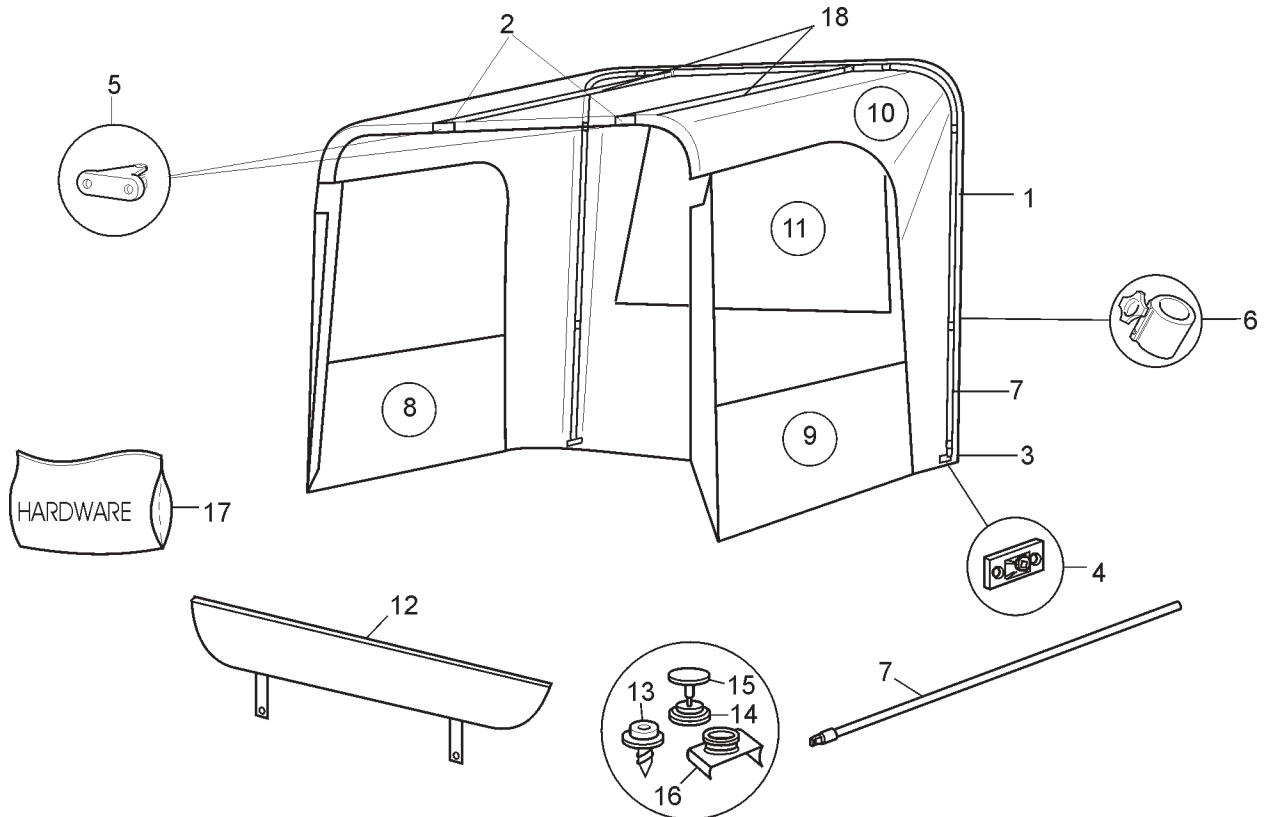
Ref.	Qty.	Part #	Description
1	1	002905-1C-AVG	Laminated Glass (Clear)
2	1	002905-2B-AVG	Top Bar (Black)
3	1	002905-3B-AVG	Hinge Set, Top (Black)
3a	1	002905-3A'-B-AVG	Hinge Set, Bottom and Gasket Inside
3b	1	002905-3B'-B-AVG	Rod, Aluminum
4	1	002905-4B-AVG	Complete Hinge Set (Black)
5	2	002904-5B	Support Arm (Black)(Complete with socket ends)
6	1	002905-6B-AVG	Acrylic Base and Gasket
7	4	002905-7B-AVG	Socket End (Black) and Gasket
8a	2	002904-8A-B	Angled Deck Bracket For Pin (Black) And Gasket
8b	2	002904-8B-B	Straight Deck Bracket For Pin (Black)
8c	2	002904-8C-B	Straight Deck Bracket For Screw (Black)
9	2	002905-9CR1-AVG	Quick Pin with Cable (Chrome)
10	2	002904-10B	Round Base (Black)
11	2	002904-11B	Tube (Black)
12	2	002904-12B	PVC Black Cap
13	2	002904-13B	Strap (Black)
14	5	002905-14-AVG	Bolts, Stainless Steel 3 1/2" + Washer + Nut
15	1	002904-15	Gasket Around Glass
16	1	002905-16-AVG	Gasket - Windshield to Body
17	4	002904-17	#8 x 1-1/2" Phillips Head Screw
18	14	002904-18	#8 x 1" Phillips Head Screw (Not Illustrated)
19	2	002904-19	PVC Black Cap Hole Wiper
20	2	627-10	Dome Stud #8 X 3/8" #688

Shipping Weight and Dimensions

1 piece - Dimensions: 54" x 3" x 28"; Actual Weight: 35 lbs.



649-33T (Tundra), 649-33 (Charcoal) Half Top



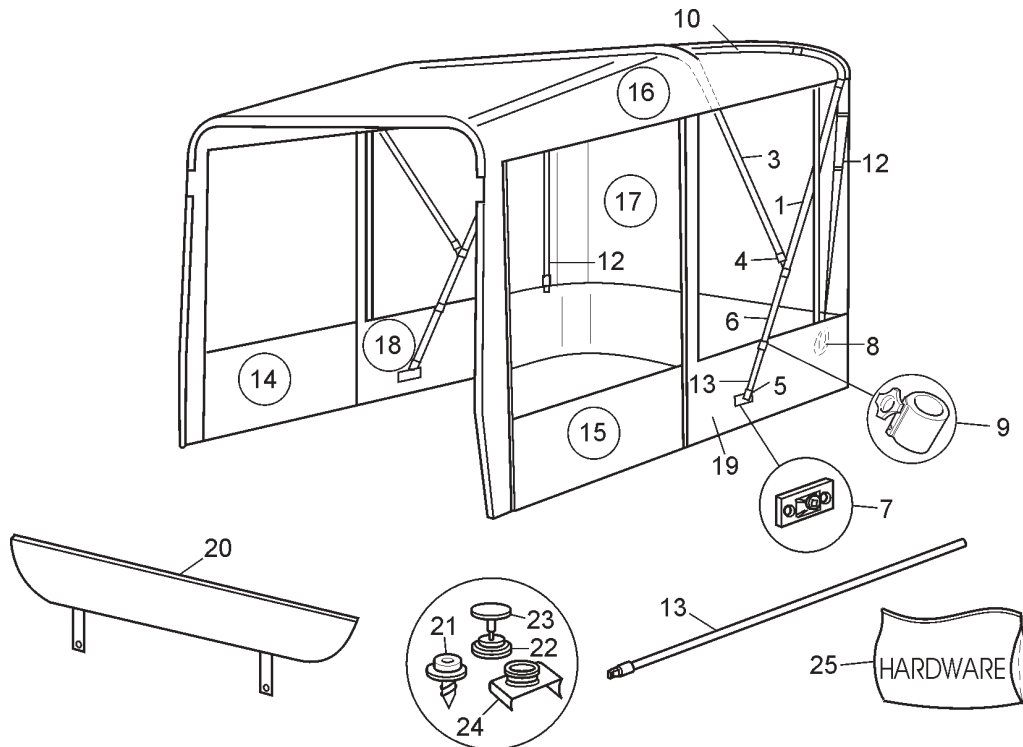
Ref.	Qty.	Part #	Description
1	1	AR3F1	Main Frame with Jaw Slide
2*	4	849-33	Eye End 7/8"
3	2	849-11	Eye End 3/4"
4*	2	649-32	Side Mount
5*	2	627-07	Deck Mount
6	2	649-34	Adjuster
7	2	ARF4A	Adjusting Pole 30 x 3/4"
8	1	649-33DRT	Door Panel, Right Side - Tundra
8A	1	649-33DRC	Door Panel, Right Side - Charcoal
9	1	649-33DLT	Door Panel, Left Side - Tundra
9A	1	649-33DLC	Door Panel, Left Side - Charcoal
10	1	649-33RT	Roof Only - Tundra
10A	1	649-33RC	Roof Only - Charcoal
11	1	649-33RDT	Rear Door - Tundra
11A	1	649-33RDC	Rear Door - Charcoal
12	1	BOOT-T	Boot, Complete - Tundra
12A	1	BOOT-C	Boot, Complete - Charcoal
13*	26	627-10	Dura Screw Stud 3/8" Stainless
14	54	4003E	Socket (Snap Fastener)
15	54	4002E	Finish Cap (Snap Fastener)
16*	17	627-02	Windshield Clip Stud (Snap Fastener)
17	1	AR3F4	Hardware * indicates which parts are part of hardware package
18*	4	2327	Stainless Steel Screw 1/2" x #6
19	2	AR3F2	Stand Off Pole 7/8" Tube with Eye End - 3/4"

Shipping Weight and Dimensions

1 piece - Dimensional Weight: 126 lbs.; Dimensions: 58" x 8" x 45"; Actual Weight: 16 lbs.



649-50 (Tundra), 649-50C (Charcoal) Top



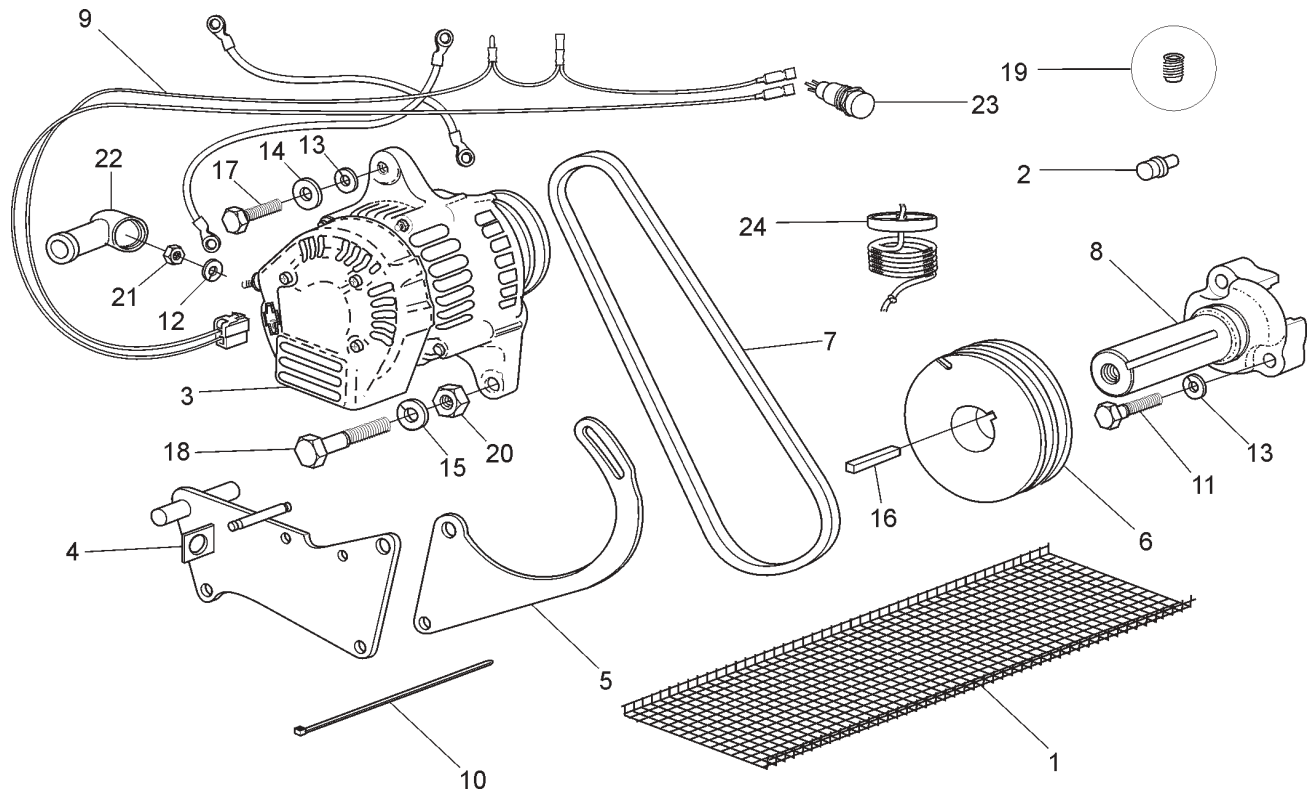
Ref.	Qty.	Part #	Description
1	1	AR6F1	Main Frame
3	1	AR6F2	Front Frame
4	2	849-33	Eye End 7/8"
5	2	849-11	Eye End 3/4"
6	4	849-32	Jaw Slide 7/8"
7*	4	649-32	Side Mount
8*	2	627-07	Deck Mount
9	2	649-34	Adjuster
10	2	ARF6	Tension Strap
12	2	ARF5	Tension Strap with Hooks
13	2	ARF4	Adjusting Pole 30" x 3/4" c/w Eye End 3/4"
14	1	649-50DRT	Door Panel, Right Side - Tundra
14A	1	649-50DRC	Door Panel, Right Side - Charcoal
15	1	649-50DLT	Door Panel, Left Side - Tundra
15A	1	649-50DLC	Door Panel, Left Side - Charcoal
16	1	649-50RT	Roof Only - Tundra
16A	1	649-50RC	Roof Only - Charcoal
17	1	649-50RDT	Rear Door - Tundra
17A	1	649-50RDC	Rear Door - Charcoal
18	1	649-50SRT	1/4 Panel, Complete, Right Side - Tundra
18A	1	649-50SRC	1/4 Panel, Complete, Right Side - Charcoal
19	1	649-50SLT	1/4 Panel, Complete, Left Side - Tundra
19A	1	649-50SLC	1/4 Panel, Complete, Left Side - Charcoal
20	1	BOOT-T	Boot, Complete - Tundra
20A	1	BOOT-C	Boot, Complete - Charcoal
21*	29	627-10	Dura Screw Stud 3/9" Stainless 3/8"
22	50	4003E	Socket (Snap Fastener)
23	62	4002E	Finish Cap (Snap Fastener)
24*	17	627-02	Windshield Clip Stud (Snap Fastener)
25	1	AR6F4	Hardware * indicates which parts are part of the hardware package

Shipping Weight and Dimensions

1 piece - Dimensional Weight: 126 lbs.; Dimensions: 58" x 8" x 45"; Actual Weight: 22 lbs.



650-60 Alternator Kit - Vanguard and Vanguard2 850-60 Alternator Kit - Response and Bigfoot



Ref.	Qty.	Part #	Description
1	1	603-57	Intake Mesh
2	1	650-61	Pin, Pilot (included in kit 650-60 only)
3	1	850-41	Alternator - 40 amp
4	1	850-61	Steering Bracket Asm (included in kit 650-60 only)
5	1	850-62	Top Bracket
6	1	850-63	Pulley
7	1	850-64	V-Belt, 3/8" x 35"
8	1	850-65	Stub Shaft
9	1	850-67	Wire Harness
	1	850-60HDW	Hardware Kit comprised of:
10	3	100-64	Tie Wrap - 5.5" Black
11	2	103-38	Bolt 5/16" - 18 x 1.25
12	1	108-03	Lockwasher 1/4"
13	3	108-05	Lockwasher 5/16"
14	1	108-24	Washer 5/16"
15	1	108-27	Lockwasher 7/16"
16	1	110-14	1/4" Key
17	1	112-20	Bolt M8 x 1.25 x 25mm
18	1	112-22	Bolt M10 x 1.50 x 50mm
19	2	112-49	Set Screws 1/4" - 20
20	1	117-62	Nut M10, 1.50
21	1	117-63	Nut M6 x 1.0
22	1	613-46	Terminal Insulator (2ga.)
23	1	634-08	Indicator Light
24	1	69932	Pull Start Rope

Shipping Weight and Dimensions

1 Box - Dimensional Weight: 5.5 lbs.; Dimensions: 12-1/2"x 11"x 6-1/2"; Actual Weight: 14 lbs.

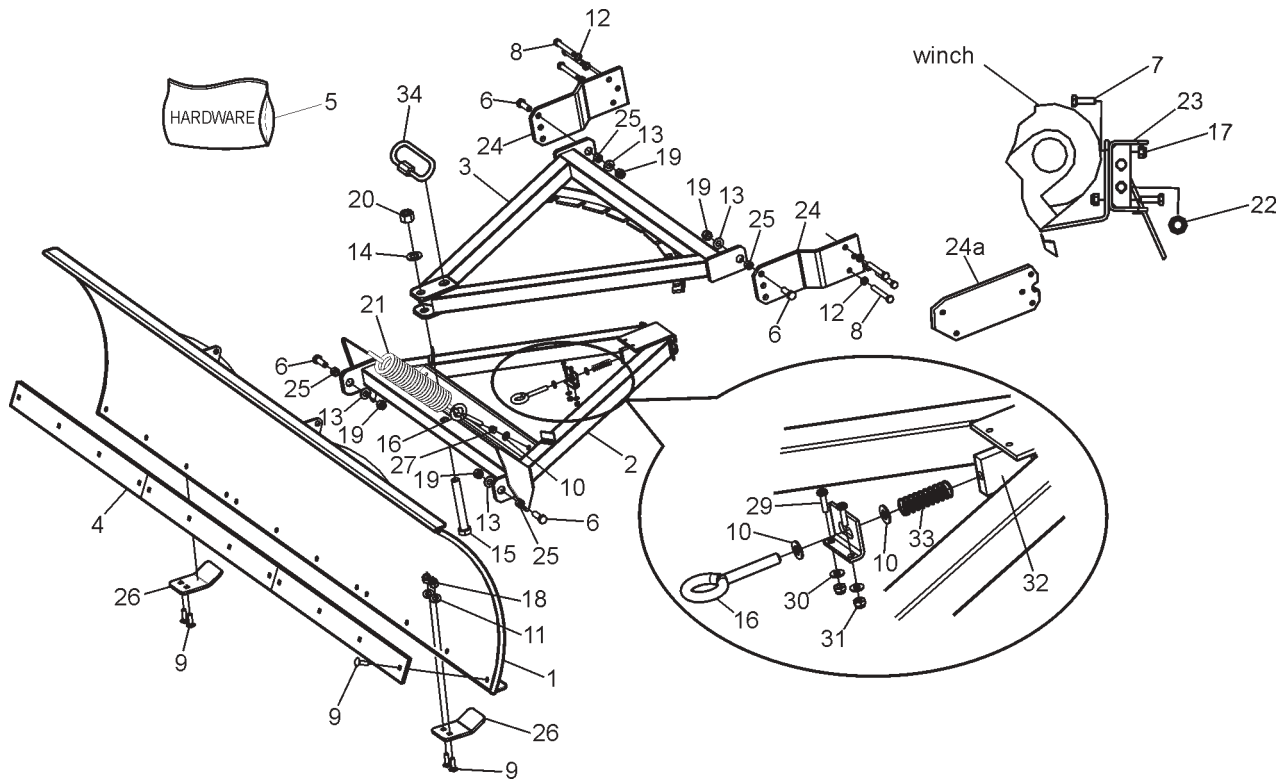
657-01 Snowplow Kit



Ref.	Qty.	Part #	Description	Shipping Weight and Dimensions
1	1	657-11	Blade assembly	1 Box 657-01HDW -Hardware -
2	1	657-10	Lower boom assembly	Dimensional Weight: 5 lbs.;
3	1	657-80	Upper boom assembly	Dimensions: 16" x 8" x 6-1/2";
4	3	657-90	Knife	Actual Weight: 32 lbs.
5	1	657-01HDW	Hardware kit includes the following:	
6	4	103-21	HHCS, 1/2 - 20 x 1.5"	1 Piece 657-11 - Blade -
7	4	103-46	HHCS, 5/16 - 24 x 1"	Dimensional Weight: 63.5 lbs.;
8	6	103-74	HHCS, 7/16 - 20 x 3-1/4"	Dimensions: 81" x 20" x 6-1/2";
9	16	103-88	Carriage bolt 3/8 - 16 x 1"	Actual Weight: 84 lbs.
10	1	104-11	Lynch pin	
11	1	104-12	Pin & ring ASM	1 Box, 1 Piece 657-10, 1 Piece
12	4	108-15	Washer, Flat .42 x .81 x .05	657-80 -Dimensional Weight: 44 lbs.;
13	2	108-26	Washer, Flat	Dimensions: 31-1/2" x 28-1/2" x 8";
14	6	108-27	Lockwasher, 7/16"	Actual Weight: 46 lbs.
15	4	108-35	Washer, Flat 1/2"	
16	3	108-53	Washer, Flat 3/4"	1 Bundle, 3 Pieces 657-90 -
17	1	112-13	HHCS, 3/4 - 10 x 5-1/2" GR 5	Dimensional Weight: .5 lbs.;
18	2	112-80	Eye Bolt, Welded 3/8 - 16 x 4	Dimensions: 27" x 2-1/2" x 1/2";
19	4	117-04	Locknut, Nylon	Actual Weight: 31 lbs.
20	20	117-29	Locknut, Nylon 3/8"- 16	
21	4	117-57	Locknut, Nylon 1/2"- 20	
22	1	117-58	Locknut, Nylon 3/4"- 10	
23	2	127-82	Spring, Extension 3/8 wire x 2-3/8 OD. X 12 LG	
24	1	622-56	Roller, Fairlead	
25	1	657-51	Cable guide bracket	
26	2	657-53	Mounting bracket	
27	4	657-54	Bushing 3/4 o.d. x 3/8 lg.	
28	2	657-59	Shoe	



657-13 & 657-21 (Avenger) Snowplow Kit



Ref.	Qty.	Part #	Description	Ref.	Qty.	Part #	Description
1	1	657-11	Blade assembly	28	1	657-16	Plate, Spring Stop
2	1	657-25	Lower boom assembly	29	2	103-25	PHMS, 10-24 x 3/4 Zn
3	1	657-26	Upper boom assembly	30	2	120-05	Washer, .19 x .50 x .04 Zn
4	3	657-90	Knife	31	2	117-10	Locknut, Nylon 10-24 Zn
5	1	657-13HDW	Hardware kit includes the following:	32	1	657-15	Block, Adjustment Pin
6	4	103-21	HHCS, 1/2 - 20x1.5" GR 5Zn	33	1	125-78	Spring, Comp. 0.66 x 1.92
7	4	103-46	HHCS, 5/16 - 24 x 1"	34	1	113-15	Link, Quick - 3/8"
8	6	103-74	HHCS, 7/16 - 20 x 3-1/4"				
9	16	103-88	Carriage bolt 3/8 - 16 x 1"				
10	4	108-15	Washer, Flat 3/8" SAE				
11	6	108-26	Washer, Flat 3/8"				
12	6	108-27	Lockwasher, 7/16"				
13	4	108-35	Washer, Flat 1/2"				
14	2	108-53	Washer, Flat 3/4"				
15	1	112-13	HHCS, 3/4 - 10 x 5-1/2" Gr 5				
16	3	112-80	Eye Bolt, 3/8 - 16				
17	4	117-04	Locknut, Nylon				
18	18	117-29	Locknut, Nylon 3/8"-16				
19	4	117-57	Locknut, Nylon 1/2"-20				
20	1	117-58	Locknut, Nylon 3/4"-10				
21	2	127-82	Spring, Extension				
22	1	622-56	Roller, Fairlead				
23	1	657-51	Cable Guide Bracket				
24	2	657-53	Mounting Bracket				
24a	2	657-17	Mounting Bracket - Avenger				
25	4	657-54	Bushing 3/4 o.d. x 3/8 lg.				
26	2	657-59	Shoe				
27	2	117-15	Nut, Hex Fin 3/8 - 16 Zn				

Shipping Weight and Dimensions

1 Box 657-01HDW - Hardware - Dimensional Weight: 5 lbs.; Dimensions: 16" x 8" x 6-1/2"; Actual Weight: 32 lbs.

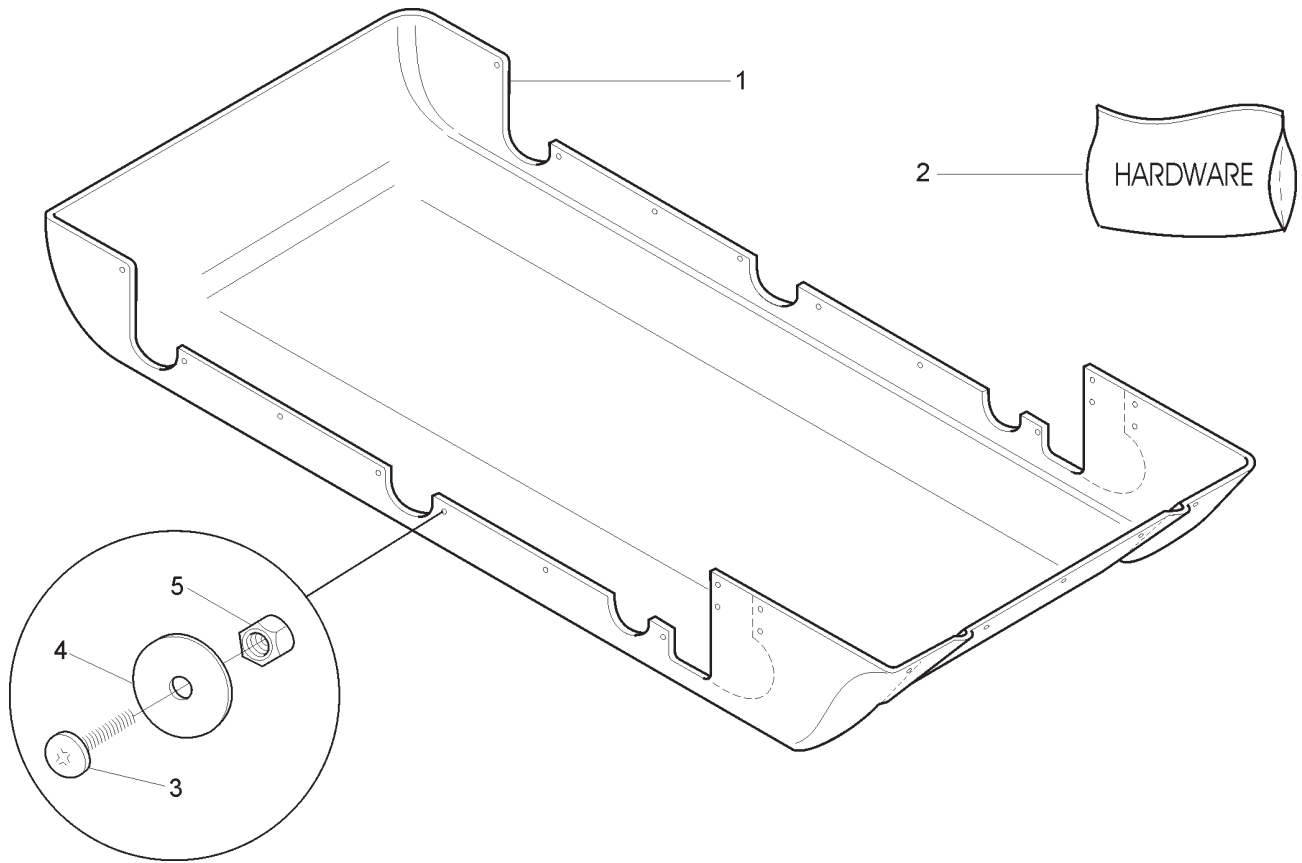
1 Piece 657-11 -Blade - Dimensional Weight: 63.5 lbs.; Dimensions: 81" x 20" x 6-1/2"; Actual Weight: 84 lbs.

1 Box, 1 Piece 657-10, 1 Piece 657-80
Dimensional Weight: 44 lbs.;
Dimensions: 31-1/2" x 28-1/2" x 8";
Actual Weight: 46 lbs.

1 Bundle, 3 Pieces 657-90 - Dimensional Weight: .5lbs.; Dimensions: 27" x 2-1/2" x 1/2";
Actual Weight: 31 lbs.

663-10 Skid Plate Kit

6x6 with Part #606-50 Frame



Ref.	Qty.	Part #	Description
1	1	663-09	Skid Plate - 6x6 Black
2	1	663-10HDW	Hardware Kit including:
3	38	103-63	PHMS 1/4-24 x 1.0 Zn
4	58	108-01	Washer, Fender 1/4 BS x 1.25 OD
5	38	117-27	Locknut, Nylon 1/4-20 Zn

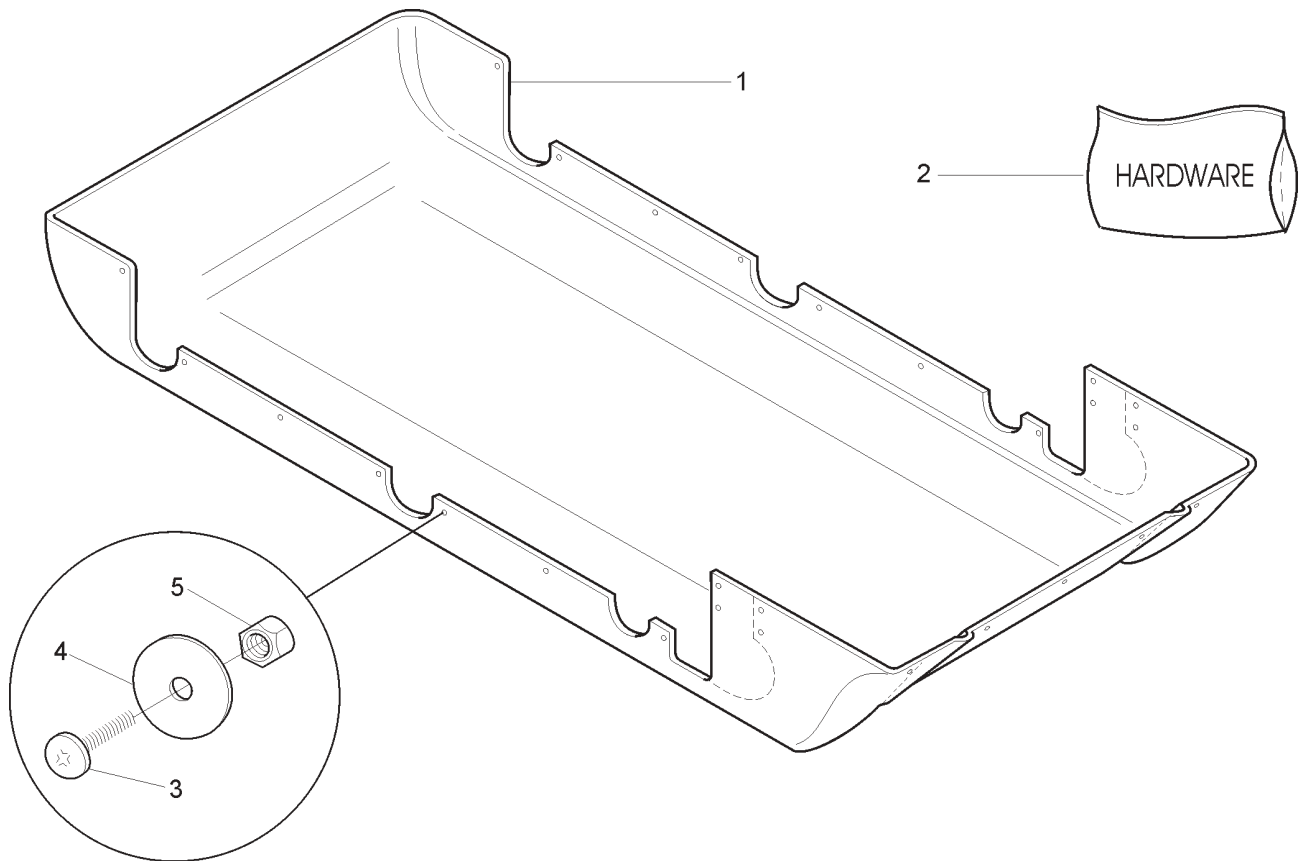
Shipping Weight and Dimensions

1 piece 663-09, 1 piece 663-10HDW - Dimensional Weight: 158 lbs.; Dimensions: 80-1/2" x 31" x 10-1/2";
Actual Weight: 26 lbs.



663-11K Skid Plate Kit

6x6 with Part #606-60 Frame



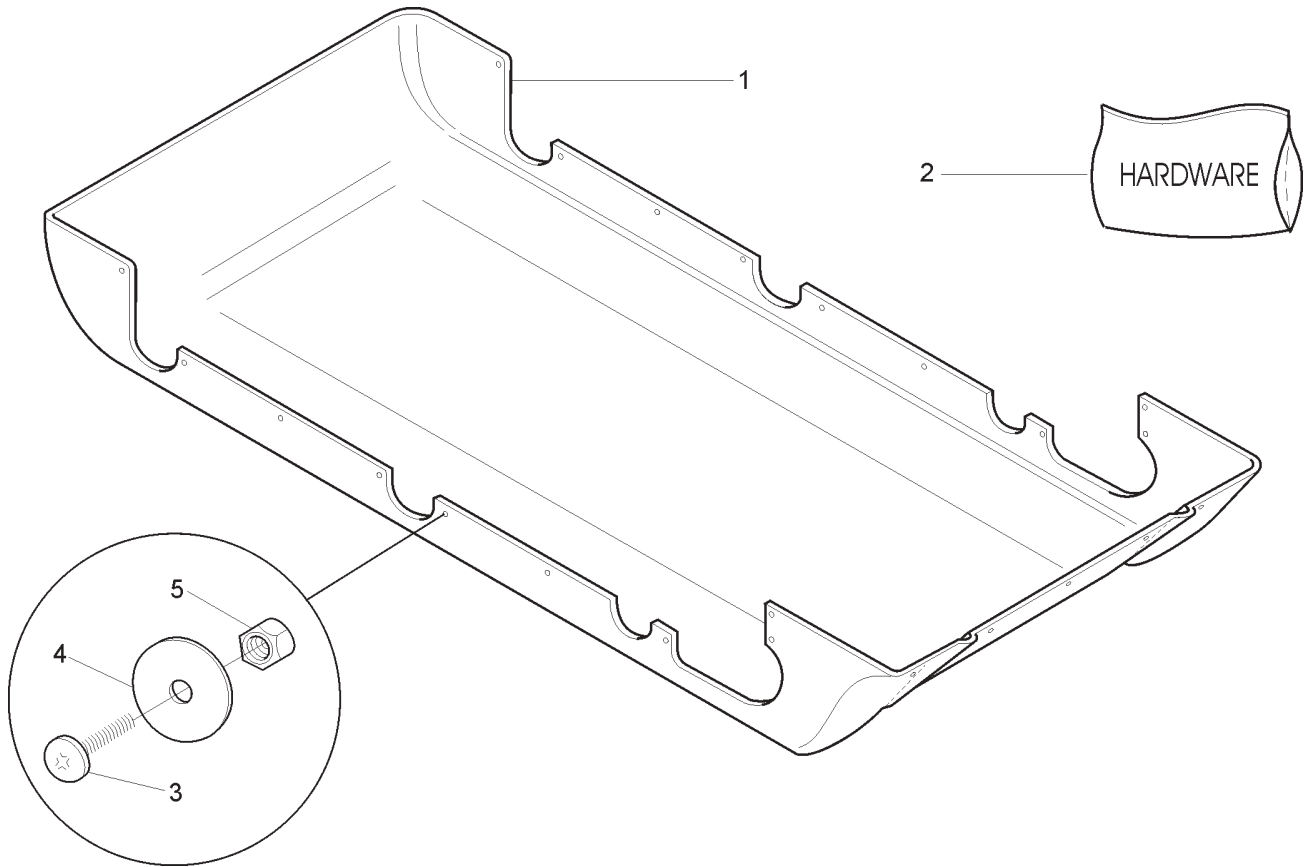
Ref.	Qty.	Part #	Description
1	1	633-11	Skid Plate - 6x6 Black
2	1	663-10HDW	Hardware Kit including:
3	32	103-63	PHMS 1/4-24 x 1.0 Zn
4	50	108-01	Washer, Fender 1/4 BS x 1.25 OD
5	32	117-27	Locknut, Nylon 1/4-20 Zn

Shipping Weight and Dimensions

1 piece 663-11, 1 piece 663-10HDW - Dimensional Weight: 158 lbs.; Dimensions: 80-1/2" x 31" x 10-1/2";
Actual Weight: 26 lbs.



663-11P Skid Plate Kit



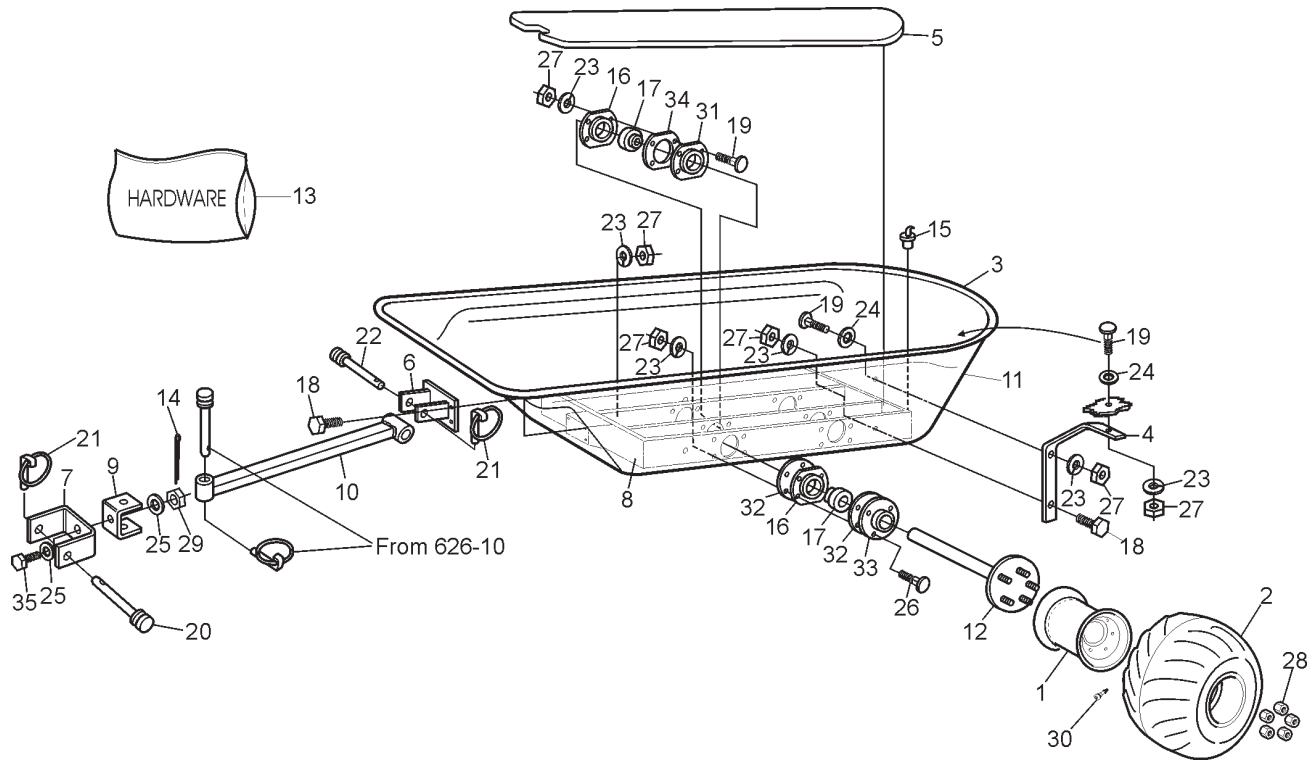
Ref.	Qty.	Part #	Description
1	1	633-11	Skid Plate - 6x6 Black
2	1	663-10HDW	Hardware Kit including:
3	32	103-63	PHMS 1/4-24 x 1.0 Zn
4	50	108-01	Washer, Fender 1/4 BS x 1.25 OD
5	32	117-27	Locknut, Nylon 1/4-20 Zn

Shipping Weight and Dimensions

1 piece 663-11, 1 piece 663-10HDW - Dimensional Weight: 158 lbs.; Dimensions: 80-1/2" x 31" x 10-1/2";
Actual Weight: 26 lbs.



695-75BL Trailer Kit



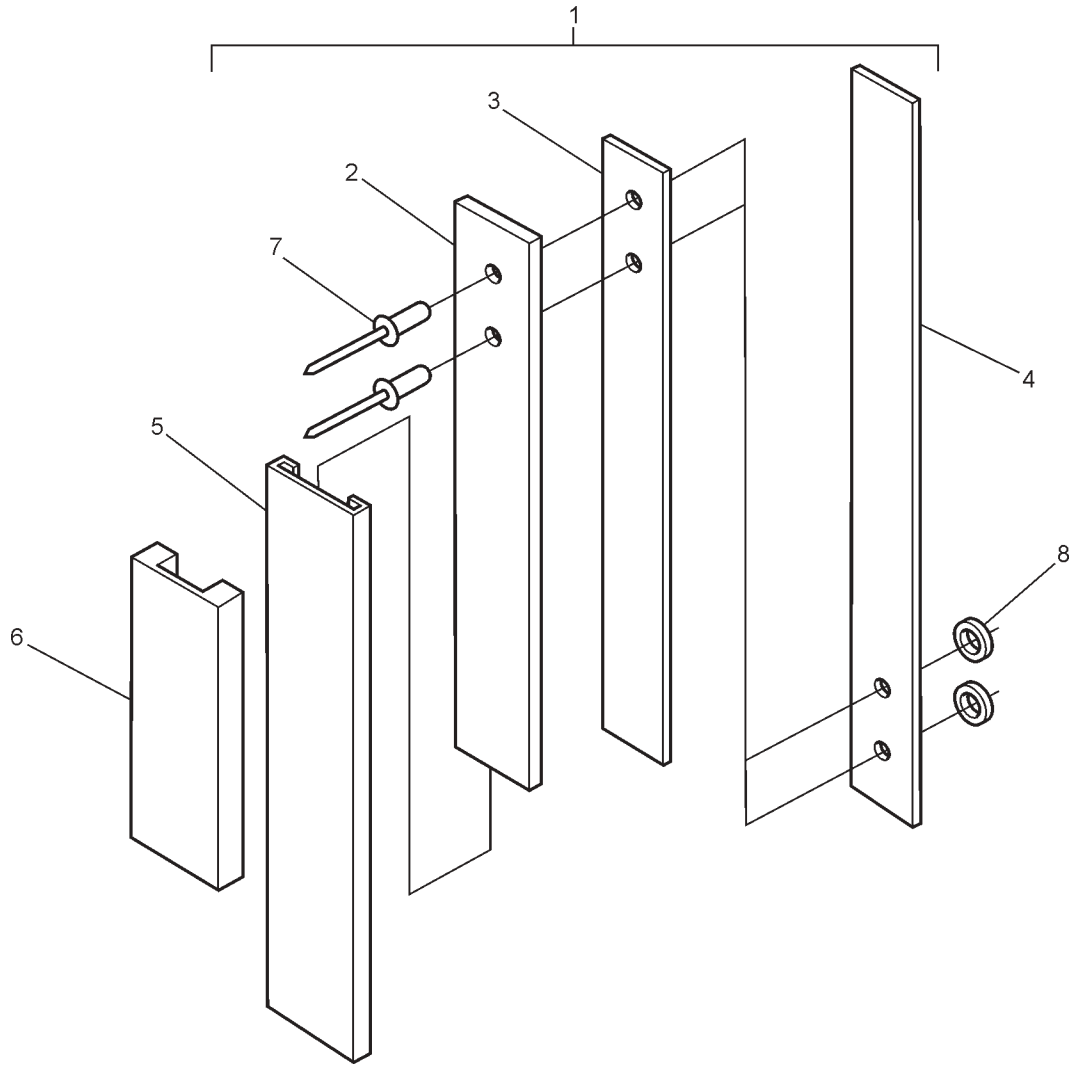
Ref.	Qty.	Part #	Description	Ref.	Qty.	Part #	Description
1	4	125-13C	Rim - Charcoal	26	16	112-39	C/Bolt 3/8-16 x 1.75 GR5 Zn
2	4	126-96	Tire, Goodyear Runamuk 22x10-8	27	48	117-15	Nut, Fin Hex 3/8" -16 Zn
3	1	601-05	Rubber Bumper	28	20	117-35	Nut, Wheel 7/16 - 20 Zn
4	4	695-16	Body Support	29	1	117-37	Nut, Hex slotted 3/4-10 Zn
5	1	695-59	Floorboard, Trailer	30	4	125-26	Valve, Tire
6	1	695-63	Hitch ASM, Trailer	31	8	605-63	Flange, Bearing - Outer
7	1	695-64	Bracket, Hitch	32	8	605-89	Gasket, Outer Bearing Flange
8	1	695-65	Frame ASM, Trailer	33	4	605-97	Flange ASM, Outer
9	1	695-71	Bracket, Tongue	34	4	605-99	Gasket, Flange
10	1	695-74	Tongue ASM	35	1	695-34	Bolt, Swivel
11	1	695-77BL	Body, Trailer Sub-ASM				
12	4	810-58	Axle ASM, Trailer				
13	1	695-75HDW	Hardware kit including:				
14	1	100-01	Pin, Cotter 1/8 x 1.50 Zn				
15	2	100-18	Plug, Drain 5/8" x 13/32"				
16	4	101-20	Flange ASM, Bearing				
17	8	101-35	Bearing, Ball UC206A-20				
18	8	103-34	HHCS 3/8 - 16 x 1.25 GR5 Zn				
19	24	103-88	C/Bolt 3/8-16 x 1.00 GR5 Zn				
20	1	104-10	Pin, Toplink - 3/4 x 3.875				
21	2	104-11	Pin, Lynch - Ring				
22	1	104-13	Pin, Toplink - 3/4 x 2.75				
23	48	108-06	Lockwasher 3/8" Split Ring Zn				
24	8	108-35	Washer .53 x 1.06 x .09 Zn				
25	2	108-53	Washer .81 x 1.50 x .12 Zn				

Shipping Weight and Dimensions

1 Piece All Parts Combined
 Dimensional Weight: 816 lbs.;
 Dimensions: 93" x 56" x 26";
 Actual Weight: 287 lbs.

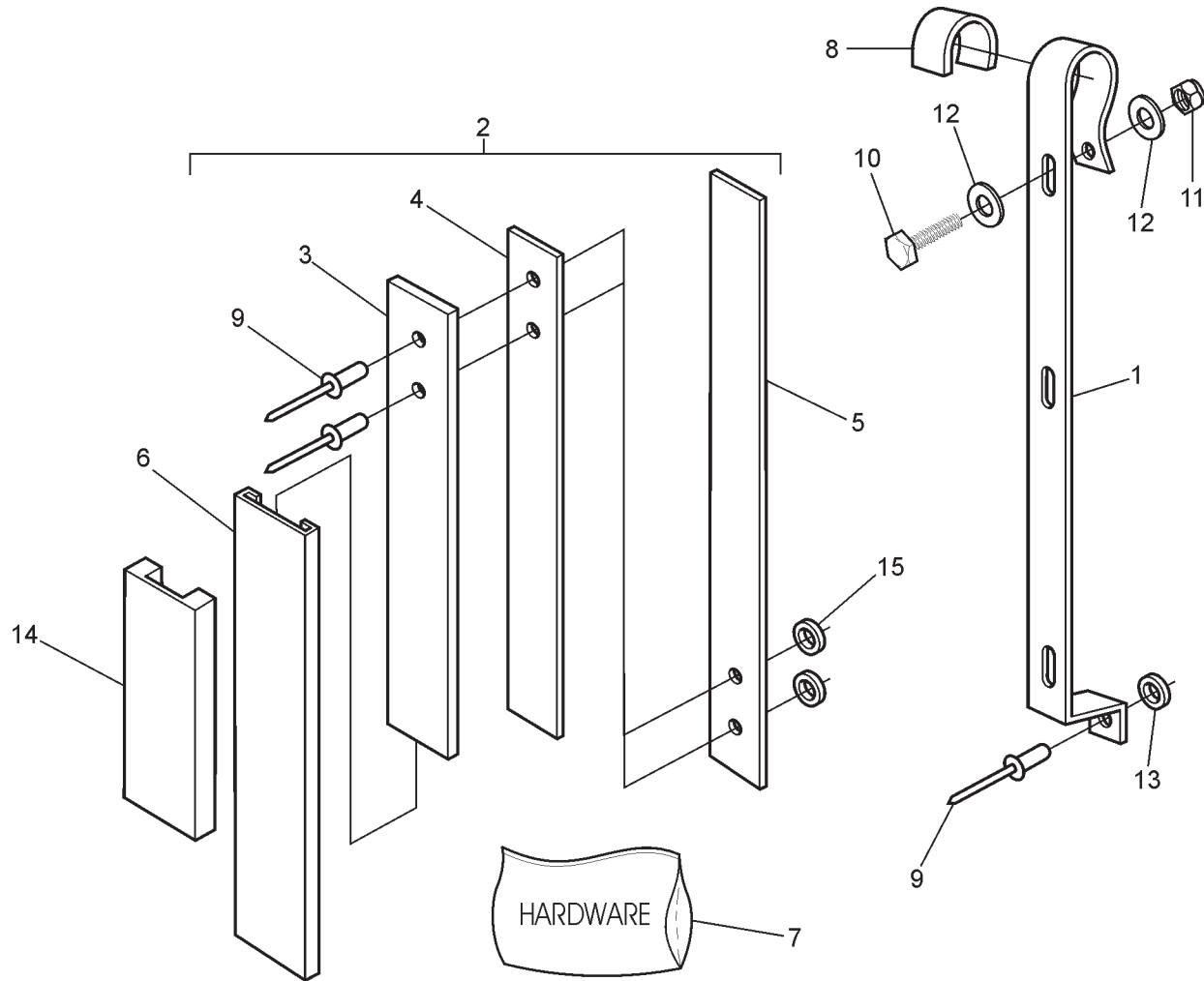


821-25 Utility Bracket Kit



Ref.	Qty.	Part #	Description
1	2	821-26	Utility Bracket Asy; each comprised of:
2	1		Flatbar, Aluminum
3	1		Velcro hook, adhesive backed
4	1		Strap, Velcro - eye
5	1		Cover, rubber
6	1	821-27	Barrel Holder
7	4	120-09	Rivet, 3/16 x 1.0 Black
8	4	108-69	Washer, Nylon .413 x .83 x .098"

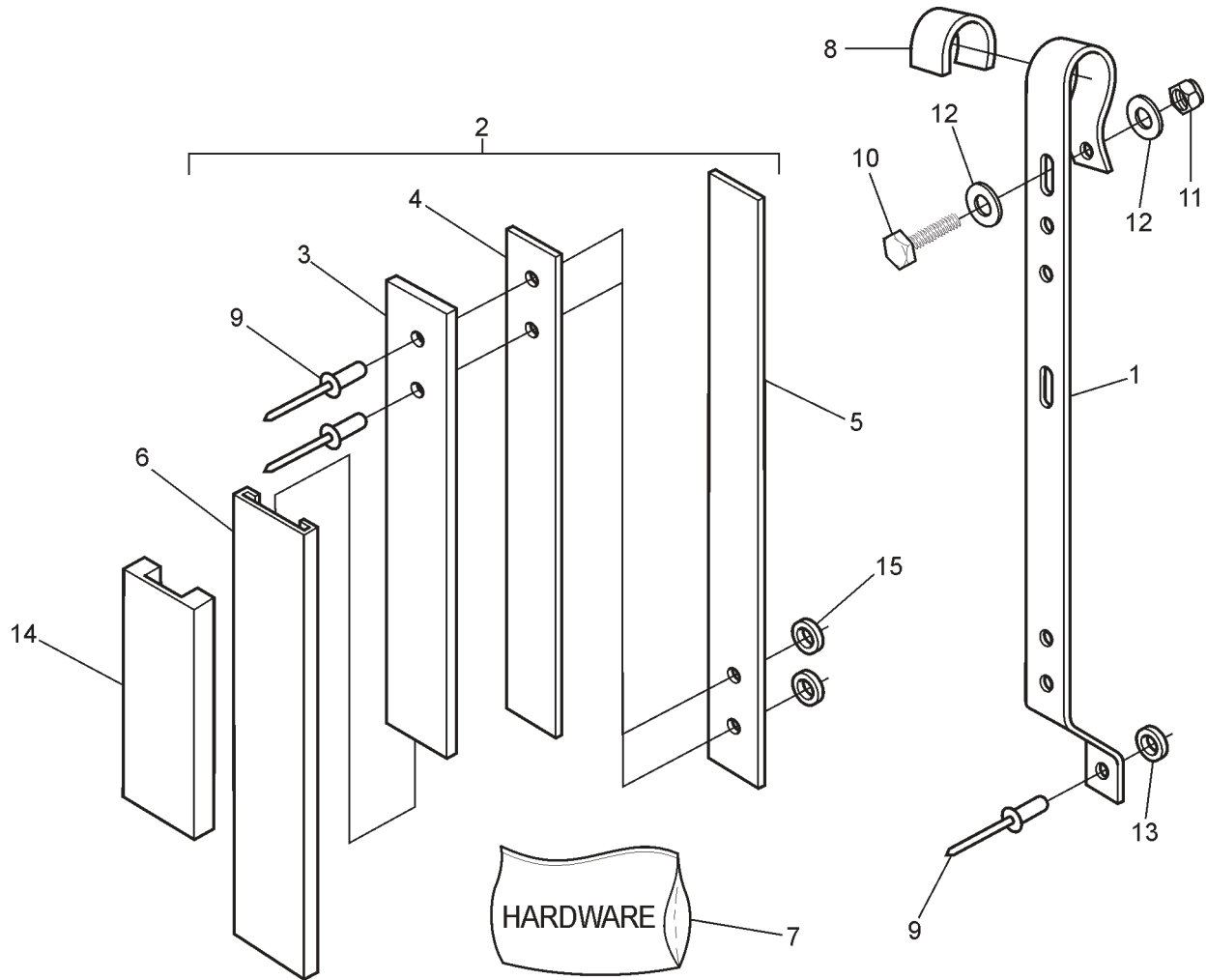
821-30 Utility Rack Kit



Ref.	Qty.	Part #	Description
1	2	821-31	Bracket, Mounting
2	4	821-26	Utility Bracket Asy; each comprised of:
3	1		Flatbar, Aluminum
4	1		Velcro Hook, adhesive backed
5	1		Strap, Velcro - eye
6	1		Cover, rubber
7	1	821-30HDW	Hardware Kit includes the following:
8	1	127-123	Rubber, Strip 1/4" x 1" x 6.5"
9	10	120-09	Rivet, 3/16 x 1.0 Black
10	2	103-08	HHCS 1/4-20 x 1.0 Zn
11	2	117-27	Locknut, Nylon 1/4-20 Zn
12	4	108-08	Washer, .28 x .62 x .04 Zn
13	2	120-04	Washer, .19 x .50 x .08 Zn 16
14	2	821-27	Barrel Holder
15	8	108-69	Washer, Nylon .413 x .83 x .098"

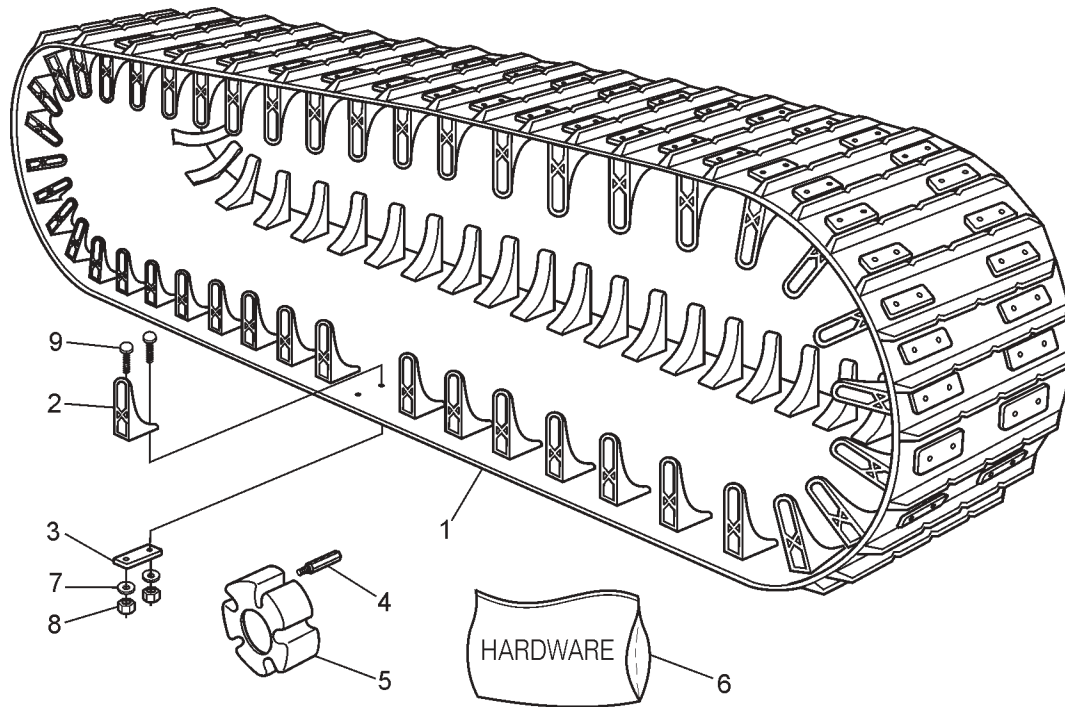


821-35 Utility Rack Kit



Ref.	Qty.	Part #	Description
1	2	821-36	Bracket, Mounting
2	4	821-26	Utility Bracket Asy; each comprised of:
3	1		Flatbar, Aluminum
4	1		Velcro Hook, adhesive backed
5	1		Strap, Velcro - eye
6	1		Cover, rubber
7	1	821-30HDW	Hardware Kit includes the following:
8	1	127-123	Rubber, Strip 1/4" x 1" x 6.5"
9	10	120-09	Rivet, 3/16 x 1.0 Black
10	2	103-08	HHCS 1/4-20 x 1.0 Zn
11	2	117-27	Locknut, Nylon 1/4-20 Zn
12	4	108-08	Washer, .28 x .62 x .04 Zn
13	2	120-04	Washer, .19 x .50 x .08 Zn 16
14	2	821-27	Barrel Holder
15	8	108-69	Washer, Nylon .413 x .83 x .098"

825-50 - Rubber Track Kit - Avenger



Ref.	Qty.	Part #	Description
1	2	825-51	Track, Rubber - Argo
2	180	825-52	Guide, Track
3	180	825-53	Plate, Track Backing - Argo
4	8	126-08	Extension Stud, Plated
5	8	605-77	Extension Axle
6	1	825-50HDW	Hardware Kit includes the following:
7	360	108-24	Washer, .34 x .70 x .06 Zn
8	360	117-21	Locknut, Nylon 5/16-18"
9	360	112-155	Bolt, Carriage

Shipping Weight and Dimensions

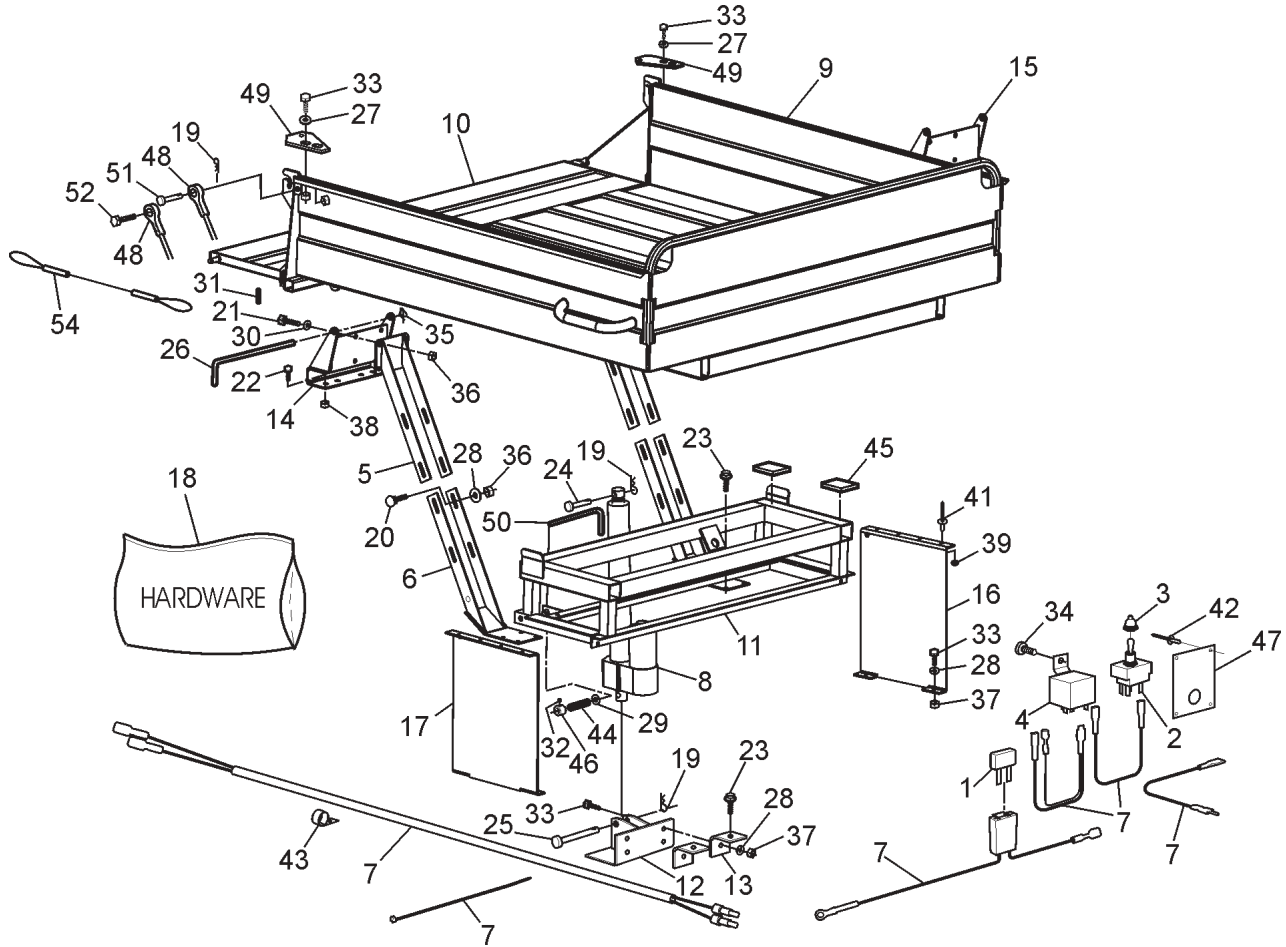
2 x 825-51 Rubber Belts; 1 Piece; Dimensional Weight: 42 lbs.; Dimensions: 20" x 19" x 18"; Actual Weight: 87 lbs.

1 Box 825-52 Track Guides; Dimensional Weight: 26.5 lbs.; Dimensions: 19" x 12-1/2" x 18-1/2"; Actual Weight: 45 lbs.

1 Box Containing: 825-53, 126-08, 605-77, 825-50HDW; Dimensional Weight: 16 lbs.; Dimensions: 28-1/2" x 11" x 8-1/2"; Actual Weight: 48 lbs.



835-00 Powered Dump Box Kit



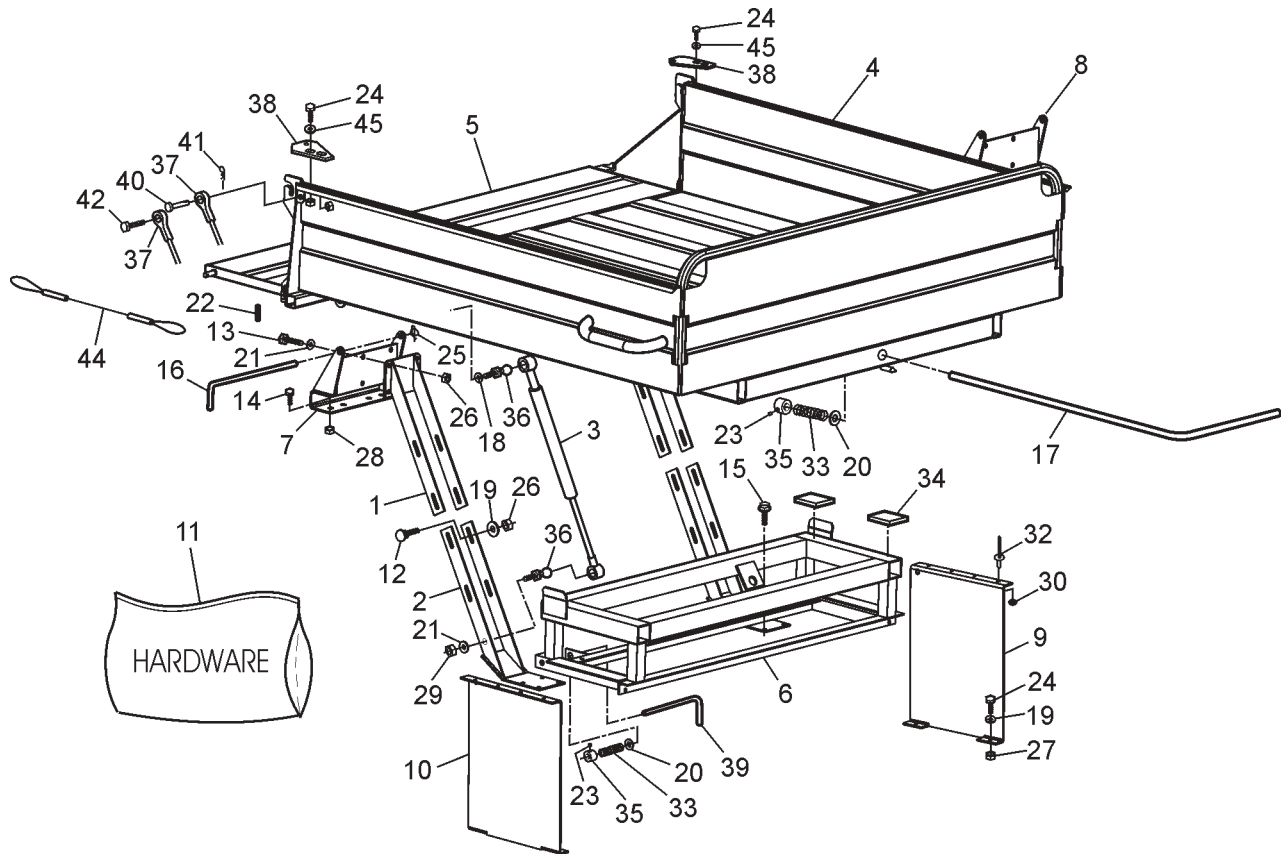
Ref.	Qty.	Part #	Description	Ref.	Qty.	Part #	Description
1	1	613-83	Breaker, circuit - 25 amp	30	8	108-24	Washer .34 x .70 x .06
2	1	613-84	Switch, Toggle - 25 amp reversing	31	2	111-09	Pin, Spring 5/32 x .75 - slotted
3	1	613-85	Seal, Toggle Switch	32	2	112-02	SHSS, 10-24 x 1/4 knurl cup pt
4	1	613-86	Relay, 40 amp	33	12	112-04	HHCS 1/4-20 x 3/4
5	2	618-19	Brace Assembly - Upper	34	1	112-102	Screw, Self Drill, 12-24 x 3/4"
6	2	618-20	Brace Assembly - Lower	35	2	113-10	Ring, Cotter 3/8" Shaft
7	1	835-04	Wire Harness - Dump Box	36	16	117-21	Locknut, Nylon 5/16-18
8	1	835-05	Actuator, Electric - 12" stroke	37	12	117-27	Locknut, Nylon 1/4-20
9	1	835-10	Dump Box Assy, Welded	38	6	117-29	Locknut, Nylon 3/8-16
10	1	835-30	Tailgate, Assy, Dump box	39	4	120-04	Washer .19 x .50 x .08
11	1	835-40	Undercarriage, Assy, Dump box	40	4	120-13	Rivet - 3/16 x 5/8 Black
12	1	835-60	Bracket, Bent Support	41	10	120-14	Rivet - 3/16 x 5/8
13	2	835-63	Bracket, Hold Down	42	4	120-24	Rivet, Alum - 3/32 x 3/8 black
14	1	835-65	Support Pivot, Dump box -L	43	5	126-93	Clamp, Nylon Wire - 1/2" ID
15	1	835-66	Support Pivot, Dump box -R	44	2	127-22	Spring, Compression
16	1	849-62	Support Assy - L	45	4	702-06	Cushion, Foam
17	1	849-63	Support Assy - R	46	2	812-17	Collar
18	1	835-00HDW	Powered Dump Box Hardware Kit comprised of:	47	1	835-03	Label, Switch - Dump box
19	4	100-16	Clip, Hitch Pin 1.625 Zn	48	2	835-22	Cable, Dumpbox Tailgate
20	8	103-13	C/bolt 5/16-18 x 1.0	49	2	835-23	Bracket - Adjustment
21	8	103-57	HHCS 5/16-18 x 1.5	50	2	849-72	Pin, Pull
22	4	103-68	HHCS 3/8-162.0	51	2	104-25	Pin, Clevis 3/8 x 3/4
23	10	103-72	Screw, IHWH T/C Slot 1/4-20x3/4	52	2	112-14	HHCS 3/8-16 x 3/4 Gr5
24	1	104-30	Pin, Clevis, 1/2" x 1 5/8"	53	2	104-36	Pin, Hitch 1/4 x 1.3"
25	1	104-31	Pin, Clevis, 1/2" x 2 3/4"	54	2	104-37	Lanyard, Nylon
26	2	104-32	Pin, Pull				
27	12	108-08	Washer .28 x .62 x .04				
28	8	108-12	Washer .34 x 1.00 x .06				
29	2	108-15	Washer .42 x .81 x .05				

Shipping Weight and Dimensions

1 box; Dimensional Weight: 242 lbs.; Dimensions: 61" x 47" x 14"; Actual Weight: 190 lbs.



835-01 Manual Dump Box Kit



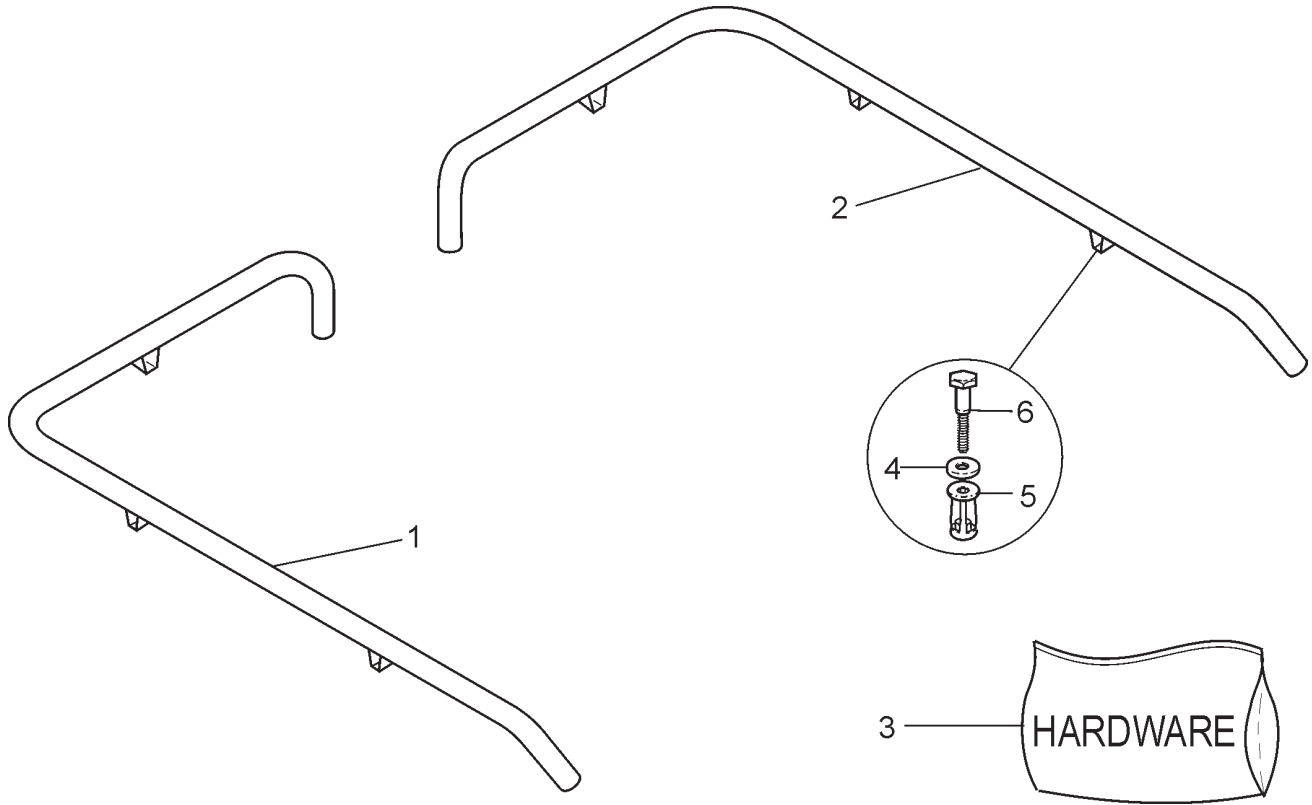
Ref.	Qty.	Part #	Description	Ref.	Qty.	Part #	Description
1	2	618-19	Brace Assembly - Upper	24	8	112-04	HHCS 1/4-20 x 3/4
2	2	618-20	Brace Assembly - Lower	25	2	113-10	Ring, Cotter 3/8" Shaft
3	2	835-06	Spring, Gas - 135 lbs.	26	16	117-21	Locknut, Nylon 5/16-18
4	1	835-10	Dump Box Assy, Welded	27	8	117-27	Locknut, Nylon 1/4-20
5	1	835-30	Tailgate, Assy, Dump Box	28	6	117-29	Locknut, Nylon 3/8-16
6	1	835-40	Undercarriage, Assy, Dump Box	29	2	117-77	Locknut, M8 x 1.25mm Zn
7	1	835-65	Support Pivot, Dump Box -L	30	4	120-04	Washer .19 x .50 x .08
8	1	835-66	Support Pivot, Dump Box -R	31	4	120-13	Rivet - 3/16 x 5/8 Black
9	1	849-62	Support Assy - L	32	10	120-14	Rivet - 3/16 x 5/8
10	1	849-63	Support Assy - R	33	3	127-22	Spring, Compression
11	1	835-01HDW	Manual Dump Box Hardware Kit comprised of:	34	4	702-06	Cushion, Foam
12	8	103-13	C/bolt 5/16-18 x 1.0	35	3	812-17	Collar
13	8	103-57	HHCS 5/16-18 x 1.5	36	4	835-07	Stud, 13mm Ball M8x1.25
14	4	103-68	HHCS 3/8-162.0	37	2	835-22	Cable, Dumpbox Tailgate
15	4	103-72	Screw, IHWH T/C SLOT 1/4-20 x 3/4	38	2	835-23	Bracket - Adjustment
16	2	104-32	Pin, Pull	39	2	849-72	Pin, Pull
17	1	104-34	Pin, Pull	40	2	104-25	Pin, Clevis 3/8 x 3/4
18	2	108-05	Lockwasher, 5/16" Split Ring Zn	41	2	100-16	Clip, Hitch Pin 1.62
19	8	108-12	Washer .34 x 1.00 x .06	42	2	112-14	HHCS 3/8-16 x 3/4 Gr5
20	3	108-15	Washer .42 x .81 x .05	43	2	104-36	Pin, Hitch 1/4 x 1.3"
21	10	108-24	Washer .34 x .70 x .06	44	2	104-37	Lanyard, Nylon
22	2	111-09	Pin, Spring 5/32 x .75 - slotted	45	4	108-08	Washer, .28 x .62 x .04
23	3	112-02	SHSS, 10-24 x 1/4 knurl cup pt				

Shipping Weight and Dimensions

1 box; Dimensional Weight: 242 lbs.; Dimensions: 61" x 47" x 14"; Actual Weight: 167 lbs.



839-20 Handrail Kit

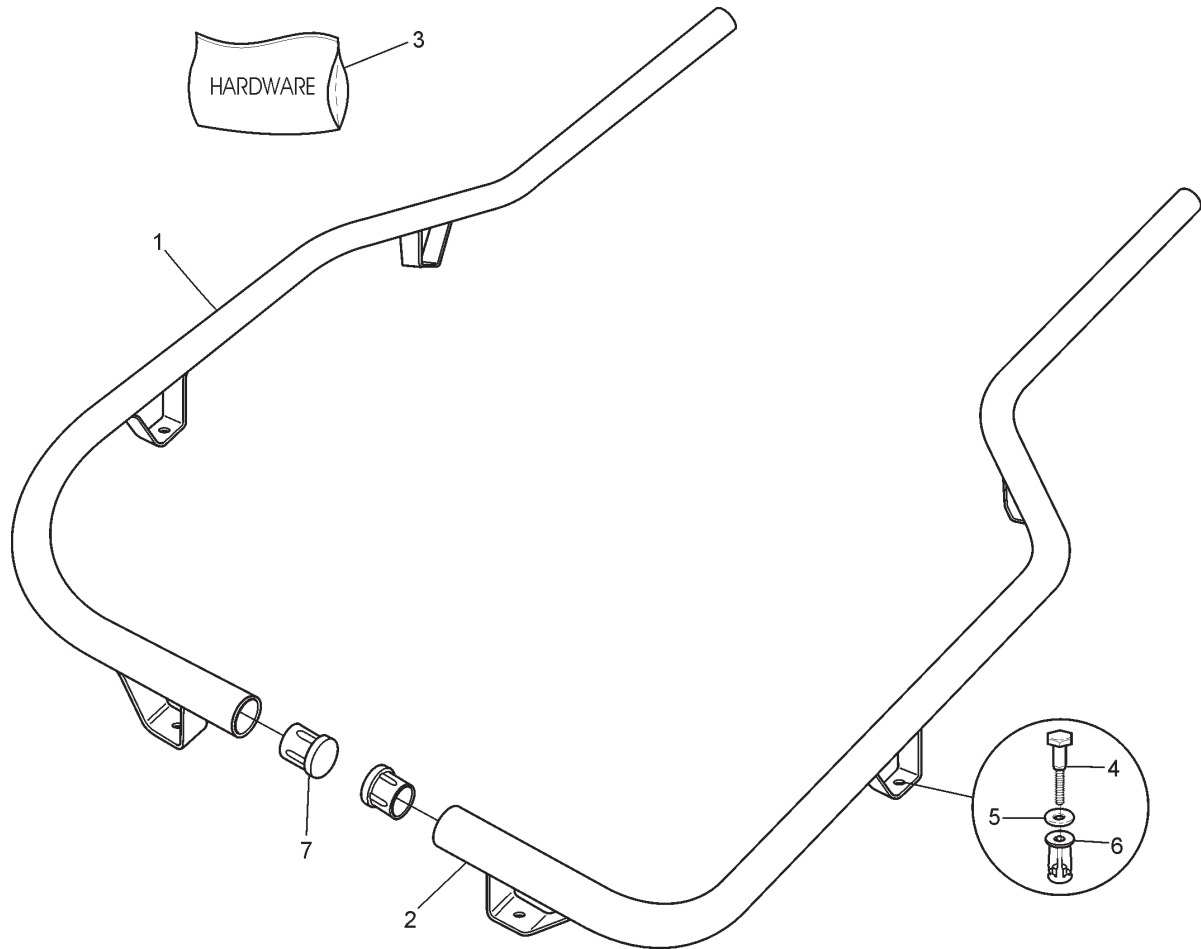


Ref.	Qty.	Part #	Description
1	1	839-21	Handrail, RH
2	1	839-22	Handrail, LH
3	1	839-20HDW	Hardware Kit includes:
4	6	108-08	Washer, 1/4"
5	6	117-53	Nut, Jack 1/4-20 8L-JNS Zn
6	6	103-97	HHCS 1/4-20 x 1-1/4"

Shipping Weight and Dimensions

1 Box - Dimensional Weight: 24 lbs.; Dimensions: 34" x 19" x 6"; Actual Weight: 6 lbs.

839-30 - Handrail Kit - Avenger



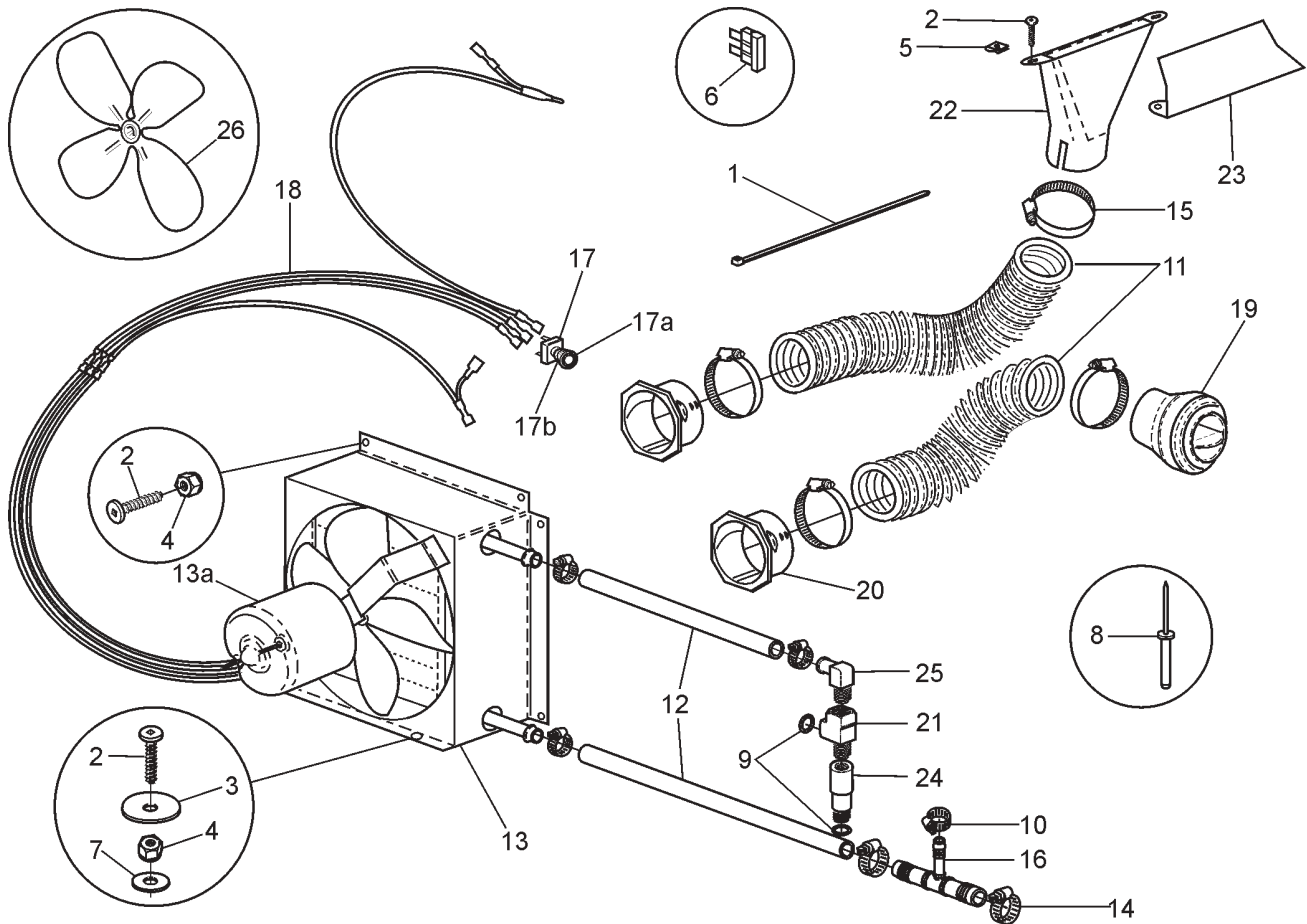
Ref.	Qty.	Part #	Description
1	1	839-31	Handrail, LH
2	1	839-32	Handrail, RH
3	1	839-30HDW	Hardware Kit includes:
4	6	103-97	HHCS 1/4-20x1.25 GR5 Zn
5	6	108-08	Washer .28x.62x.07 Zn
6	6	117-53	Nut, Jack 1/4-20 8L-JNS Zn
7	2	639-25	End Plug-Black

Shipping Weight and Dimensions

1 Piece 839-30 Handrail Kit - Dimensional Weight: 10 lbs.; Dimensions: 43" x 11" x 3.5"; Actual Weight: 5 lbs.



848-10 Heater Kit - Conquest



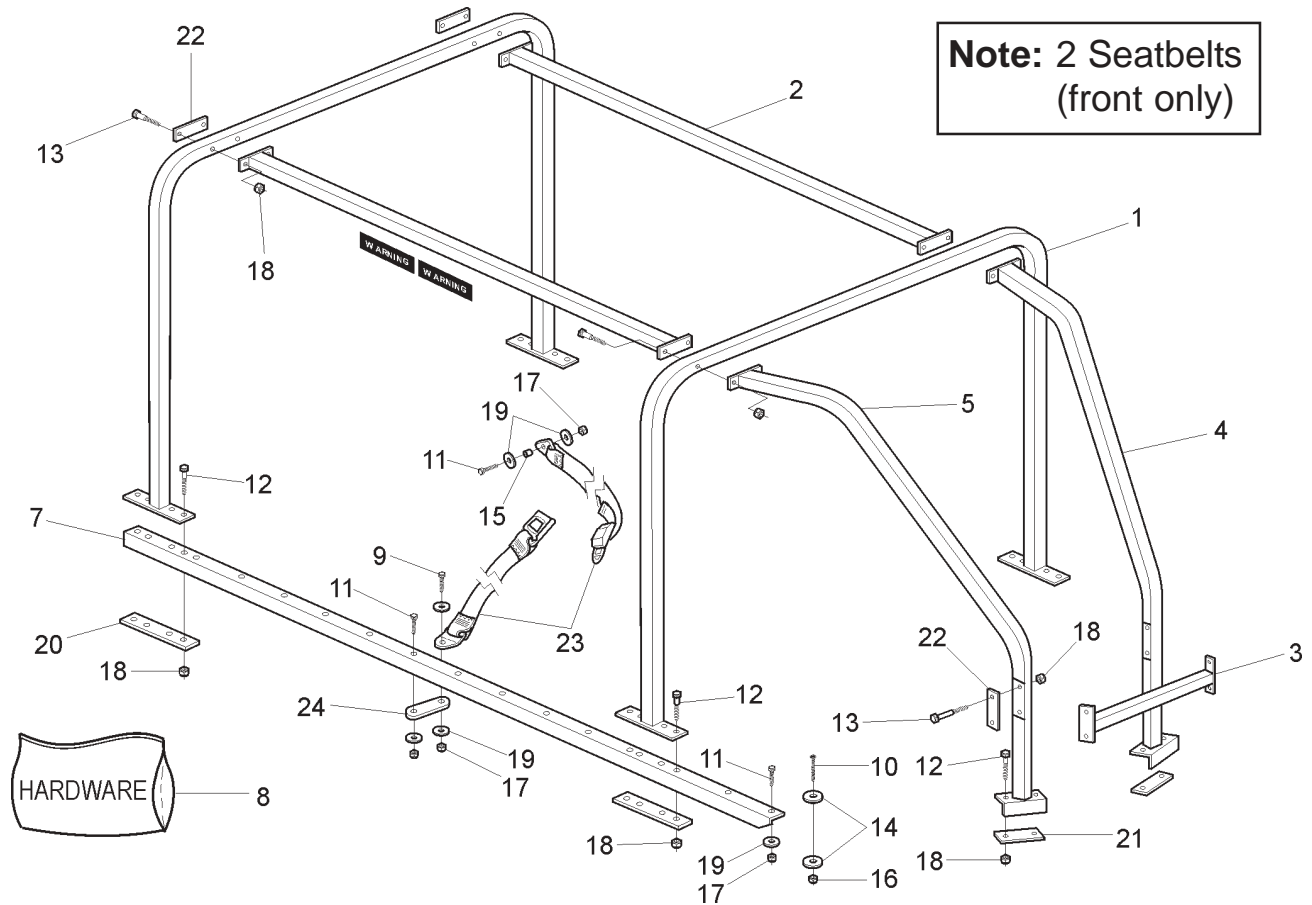
Ref.	Qty.	Part #	Description	Ref.	Qty.	Part #	Description
1	4	100-64	Tie Wrap	18	1	848-22	Wire Harness
2	8	103-25	PHMS 10-24 x .75 Zn	19	1	848-23	Louver, Ball
3	2	108-42	Washer .21 x 1.00 x .06 Zn	20	2	848-24	2" Sleeve
4	6	117-10	Locknut, Nylon #10-24 Zn	21	1	848-26	Pipe, T - 3/8" - NPT
5	2	117-50	Nut, Spring 10-24	22	1	848-27	Louver, Defrost
6	1	118-52	Fuse, 10A 2-Prong (ATO10)	23	1	848-28	Deflector, Defrost
7	1	120-04	Washer, .19 x .50 x .08 Zn	24	1	848-29	Adapter - Steel
8	14	120-11	Rivet - 5/32 x 9/16	25	1	848-31	Barb, Beaded Hose 90°
9	2	634-20	Washer, Fibre	26	1	540114	Fan - Blade c/w Set Screw
10	4	638-16	Clamp, Gear - 5/8" HF-10				
11	1	848-12	Hose, Air 2" x 30"				
12	1	848-13	Hose, Antifreeze 5/8" I.D. x 49"				
13	1	848-15	Heater, Core Fan & Motor				
13a	1	540111	Motor - Fan				
14	2	848-16	Clamp, Gear - 1-1/4"				
15	4	848-17	Clamp, Gear - 2" HF-28				
16	1	848-20	Connector-T, Hose				
17	1	848-21	Switch, 2 Speed				
17a	1	U52-FC	Knob - Switch				
17b	1	H82032	Nut - Switch				

Shipping Weight and Dimensions

1 Box - Dimensional Weight: 12 lbs; Dimensions: 21" x 9-1/2" x 10"; Actual Weight: 12 lbs.



848-40-2 Roll Over Protective Structure(ROPS)

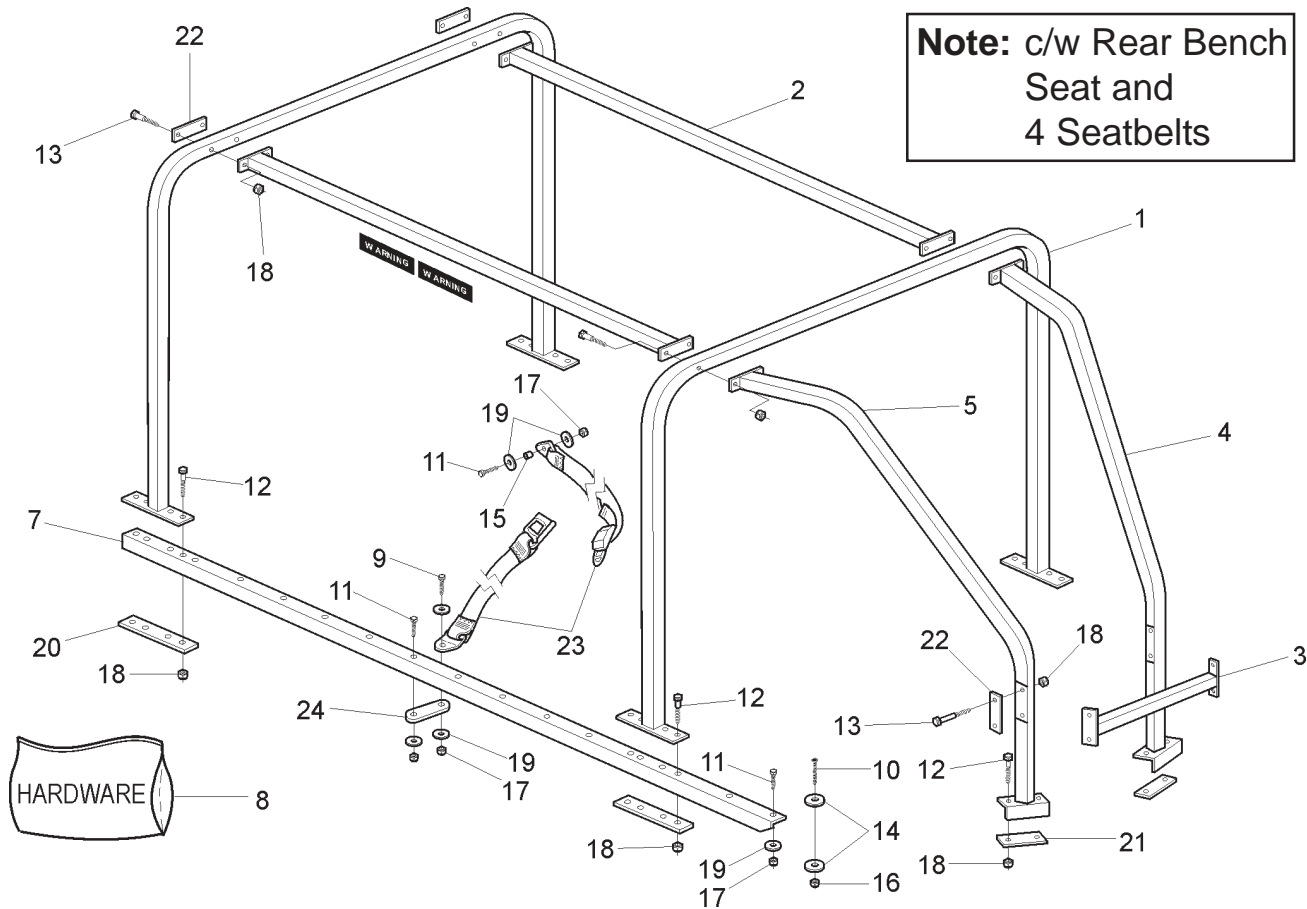


**Note: 2 Seatbelts
(front only)**

Ref.	Qty.	Part #	Description	Shipping Weight and Dimensions
1	2	848-41	Hoop assembly	1 Box 848-40-2 Kit - Dimensional Weight:174 lbs.; Dimensions: 60" x 48" x 10"; Actual Weight: 125 lbs.
2	2	848-43	Tube assembly - top	
3	1	848-45	Tube assembly - front	
4	1	848-47	Brace assembly - front left	
5	1	848-49	Brace assembly - front right	
6	1	848-58	Angle iron - left - not shown	
7	1	848-59	Angle iron - right	1 Piece 848-58, 848-59 - Dimensional Weight: 3 lbs.; Dimensions: 84" x 2" x 2-1/2"; Actual Weight: 17 lbs.
8	1	848-40HDW	Hardware kit includes the following:	
9	6	103-34	HHCS, 3/8 - 16 x 1.25 GR 5 Zn	
10	4	103-03	PHMS, 1/4 - 20 x 1.50 Zn	
11	24	103-76	HHCS, 3/8 - 16 x 1.75 GR 5 Zn	
12	20	112-66	HHCS, 1/2 - 13 x 2.0 GR 5 Zn	
13	12	112-67	HHCS, 1/2 - 13 x 3.0 GR 5 Zn	
14	8	108-01	Washer, Fender 1/4" BS x 1.25OD	
15	4	108-64	Spacer, 3/8 x 1/2 x 3/8"	
16	4	117-27	Locknut, Nylon 1/4"- 20 Zn	
17	30	117-29	Locknut, Nylon 3/8 - 16 Zn	
18	32	117-66	Locknut, Nylon 1/2 - 13 Zn	
19	38	108-26	Washer .43 x 1.02 x .09 Zn	
20	4	848-53	Flange, Bumper - side	
21	2	848-54	Flange, Bumper - front	
22	4	848-55P	Flange, Tube	
23	2	848-56	Seatbelt assemblies	
24	2	848-57	Strap, Belt anchor	

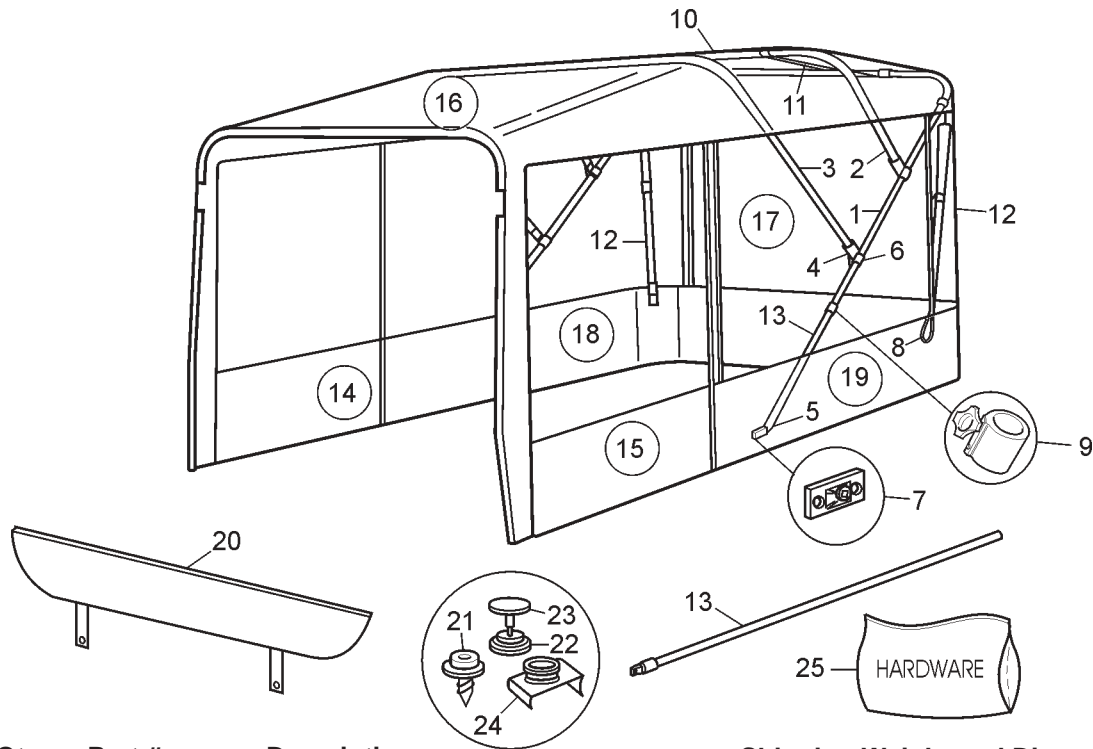


848-40-4 Roll Over Protective Structure (ROPS)



Ref.	Qty.	Part #	Description	Shipping Weight and Dimensions
1	2	848-41	Hoop assembly	1 Box 848-40-2 Kit - Dimensional
2	2	848-43	Tube assembly - top	Weight: 174 lbs.; Dimensions:
3	1	848-45	Tube assembly - front	60" x 48" x 10";
4	1	848-47	Brace assembly - front left	Actual Weight: 125 lbs.
5	1	848-49	Brace assembly - front right	
6	1	848-58	Angle iron - left - not shown	1 Piece 848-58, 848-59, 849-60
7	1	848-59	Angle iron - right	(See 849-60 for details)
8	1	848-40HDW	Hardware kit includes the following:	Dimensional Weight: 3 lbs.;
9	6	103-34	HHCS, 3/8 - 16 x 1.25 GR 5 Zn	Dimensions: 84" x 2" x 2-1/2";
10	4	103-03	PHMS, 1/4 - 20 x 1.50 Zn	Actual Weight: 17 lbs.
11	24	103-76	HHCS, 3/8 - 16 x 1.75 GR 5 Zn	
12	20	112-66	HHCS, 1/2 - 13 x 2.0 GR 5 Zn	
13	12	112-67	HHCS, 1/2 - 13 x 3.0 GR 5 Zn	
14	8	108-01	Washer, Fender 1/4" BS x 1.25OD	
15	4	108-64	Spacer, 3/8 x 1/2 x 3/8"	
16	4	117-27	Locknut, Nylon 1/4" - 20 Zn	
17	30	117-29	Locknut, Nylon 3/8 - 16 Zn	
18	32	117-66	Locknut, Nylon 1/2 - 13 Zn	
19	38	108-26	Washer .43 x 1.02 x .09 Zn	
20	4	848-53	Flange, Bumper - side	
21	2	848-54	Flange, Bumper - front	
22	4	848-55P	Flange, Tube	
23	4	848-56	Seatbelt assemblies	
24	4	848-57	Strap, Belt anchor	
25	1	849-60	Rear Bench Seat Kit (See 849-60 for details)	

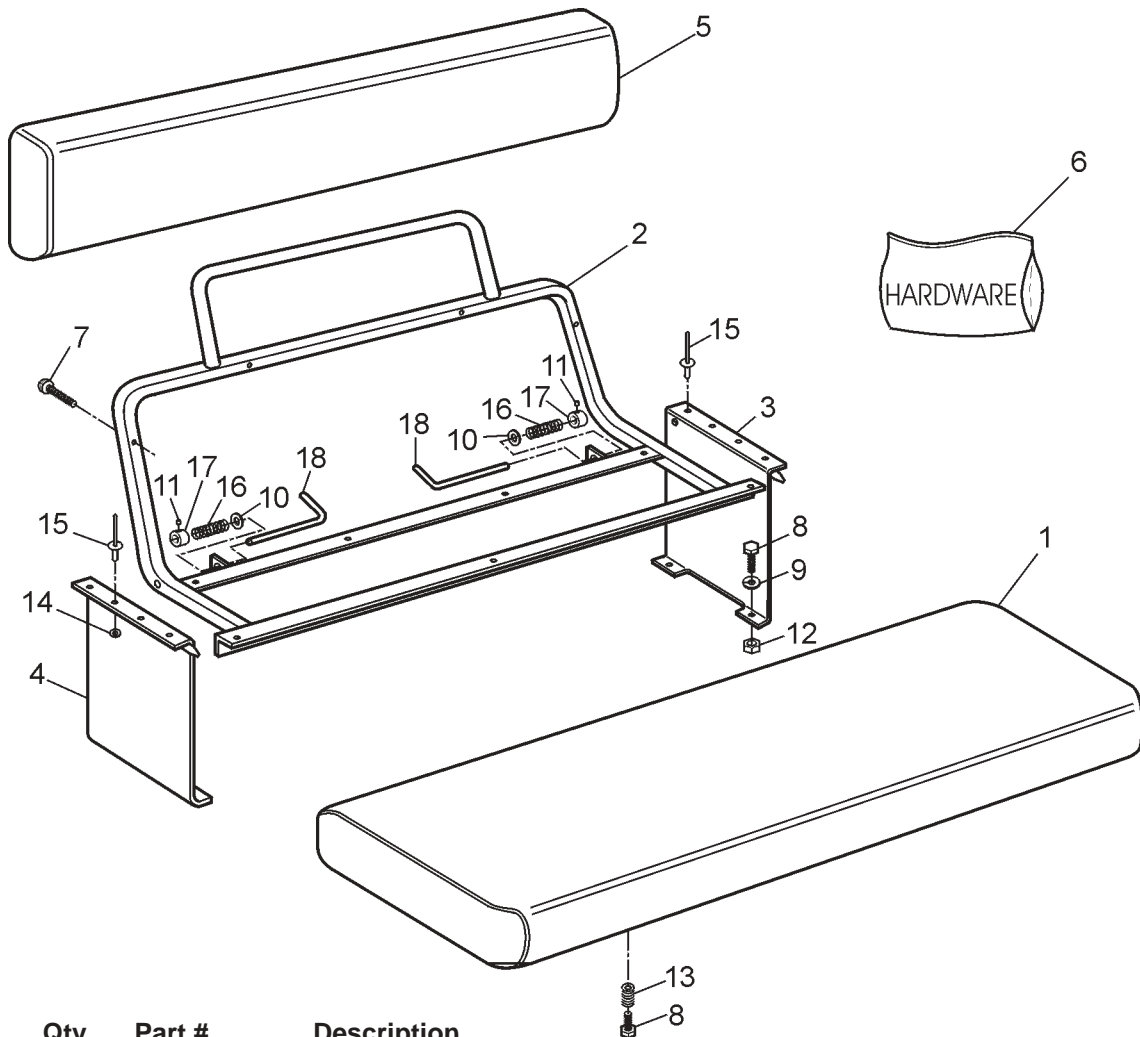
849-50 (Tundra), 849-50C (Charcoal) Top



Ref.	Qty.	Part #	Description	Shipping Weight and Dimensions
1	1	AR8F1	Main Frame	1 piece - Dimensional Weight: 126 lbs.; Dimensions: 58" x 8" x 45"; Actual Weight: 27 lbs.
2	1	AR8F2	Mid. Frame	
3	1	AR8F3	Front Frame	
4	4	849-33	Eye End 7/8"	
5	2	849-11	Eye End 3/4"	
6	6	849-32	Jaw Slide	
7*	2	649-32	Side Mount	
8*	2	627-07	Deck Mount	
9	2	649-34	Adjuster	
10	2	ARF8L	Tension Strap, Long	
11	2	ARF8S	Tension Strap, Short	
12	2	ARF5	Tension Strap with Hooks	
13	2	ARF4	Adjusting Pole 30" x 3/4" * c/w Eye End 3/4"	
14	1	849-50DRT	Door Panel, Right Side - Tundra	
14A	1	849-50DRC	Door Panel, Right Side - Charcoal	
15	1	849-50DLT	Door Panel, Left Side - Tundra	
15A	1	849-50DLC	Door Panel, Left Side - Charcoal	
16	1	849-50RT	Roof Only - Tundra	
16A	1	849-50RC	Roof Only - Charcoal	
17	1	849-50RDT	Rear Door - Tundra	
17A	1	849-50RDC	Rear Door - Charcoal	
18	1	849-50SRT	1/4 Panel, Complete, Right Side - Tundra	
18A	1	849-50SRC	1/4 Panel, Complete, Right Side - Charcoal	
19	1	849-50SLT	1/4 Panel, Complete, Left Side - Tundra	
19A	1	849-50SLC	1/4 Panel, Complete, Left Side - Charcoal	
20	1	BOOT-T	Boot, Complete - Tundra	
20A	1	BOOT-C	Boot, Complete - Charcoal	
21*	54	627-10	Dura Screw Stud 3/9" Stainless - 3/8"	
22	54	4003E	Socket (Snap Fastener)	
23	66	4002E	Finish Cap (Snap Fastener)	
24*	17	627-02	Windshield Clip Stud (Snap Fastener)	
25	1	AR8F4	Hardware Package * indicates which parts are part of Hardware Package	
26*	8	2327	Stainless Steel Screw - Refer to Hardware Package	



849-60 Rear Bench Seat



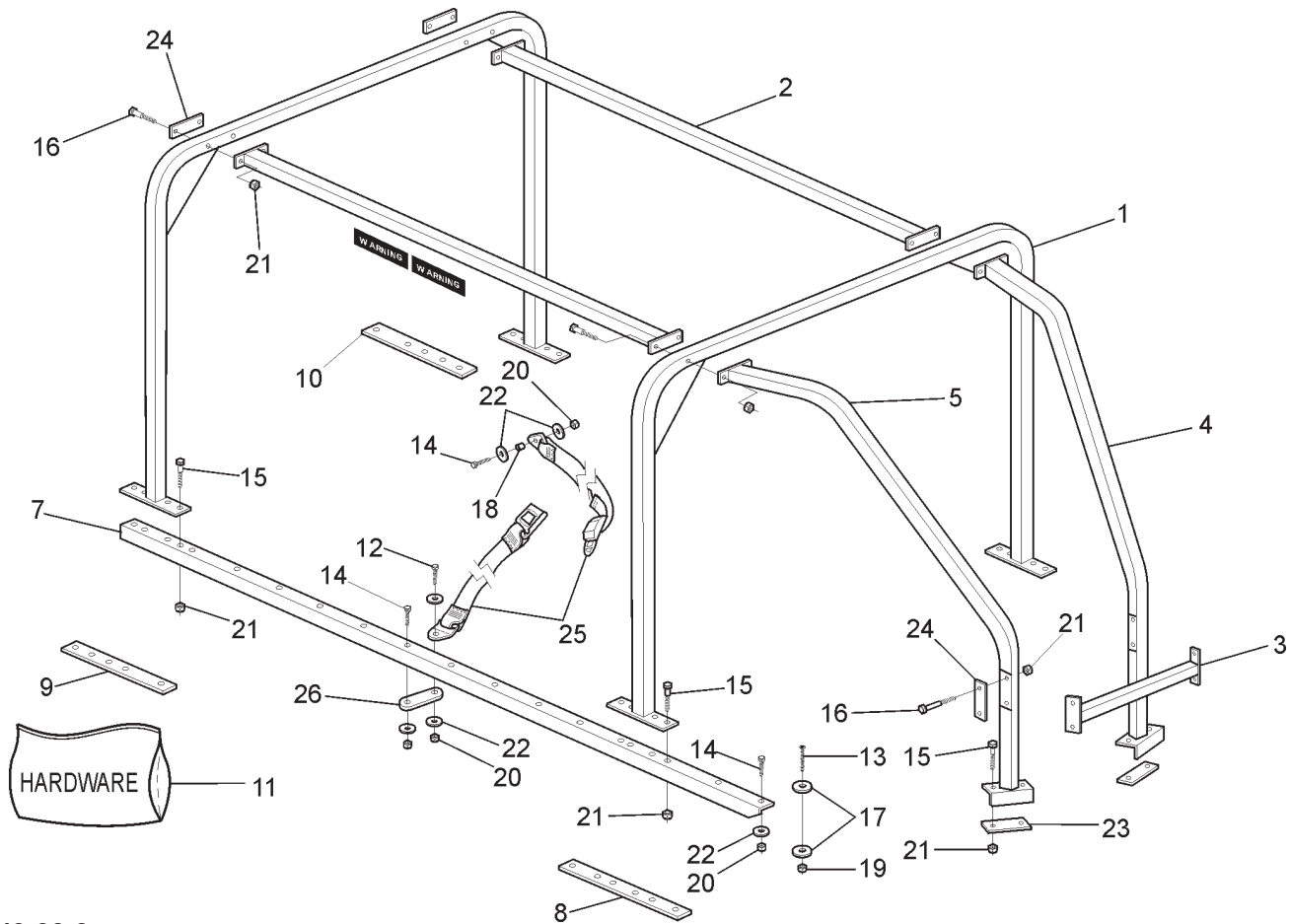
Ref.	Qty.	Part #	Description
1	1	608-43	Seat, Bench
2	1	849-61	Frame ASM, Rear Seat
3	1	849-62	Support ASM - L
4	1	849-63	Support ASM - R
5	1	849-73	Backpad ASM, Rear Seat
6	1	849-60HDW	Hardware kit comprised of:
7	4	103-03	PHMS 1/4-20 x 1.50 Zn
8	11	103-31	HHMS 1/4-20 x 5/8 Grade 5 Zn
9	15	108-03	Lockwasher 1/4 Split Ring Zn
10	2	108-15	Washer .42 x .81 x .05 Zn
11	2	112-02	SHSS 10-24 x 1/4 Knurl Cup Pt, Pl
12	4	117-20	Nut, Finished Nex, 1/4-20 Zn
13	5	117-65	Insert, Threaded steel 1/4"-20 ID
14	4	120-04	Washer, .195 Id x .50 OD x .08 Zn
15	10	120-14	Rivet - 3/16 x 5/8
16	2	127-22	Spring, Compression - Zn
17	2	812-17	Collar
18	2	849-72	Pin, Pull

Shipping Weight and Dimensions

1 piece - Dimensional Weight: 105 lbs.; Dimensions: 46" x 19" x 20"; Actual Weight: 34 lbs.

Roll Over Protective Structure (ROPS)

849-90-2, 849-90-4



849-90-2

Ref.	Qty.	Part No.	Description	Ref.	Qty.	Part No.	Description
1	2	849-97	Hoop Assembly	18	6	108-64	Spacer, 3/8x1/2x3/8"
2	2	849-79	Tube Assembly - Top	19	4	117-27	Locknut, Nylon 1/4-20 Zn
3	1	849-91	Tube Assembly - Front	20	30	117-29	Locknut, Nylon 3/8-16 Zn
4	1	849-93	Brace Assembly - Front Left	21	32	117-66	Locknut, Nylon 2-13 Zn
5	1	849-94	Brace Assembly - Front Right	22	38	108-26	Washer .43x1.02x.09 Zn
6	1	848-58	Angle Iron - Left	23	2	848-54	Flange, Bumper - Front
7	1	848-59	Angle Iron - Right	24	4	848-55P	Flange, Tube
8	2	849-98	Stiffener, Front	25	2	848-56	Seatbelt Assemblies
9	1	849-99	Stiffener, Right Rear	26	2	848-57	Strap, Belt Anchor
10	1	849-89	Stiffener, Left Rear	27	1	849-77	Trim, Vinyl - 10"
11	1	849-90HDW	Hardware kit comprised of:	Additional Parts for 849-90-4			
12	4	103-34	HHCS, 3/8-16x1.25 Gr5 Zn	2	2	848-56	Seatbelt Assemblies
13	4	103-03	PHMS 1/4 20x1.50 Zn	2	2	848-57	Strap, Belt Anchor
14	26	103-76	HHCS, 3/8-16x1.75 Gr5 Zn	1	1	849-80	Rear Bench Seat Kit (including instructions)
15	20	112-66	HHCS, 2-13x2.0 Gr5 Zn	2	2	108-64	Spacer, 3/8x1/2x3/8"
16	12	112-157	HHCS, 1/2-13x3.25 Gr5 Zn				
17	8	108-01	Washer, Fender 1/4 BSx1.25OD				

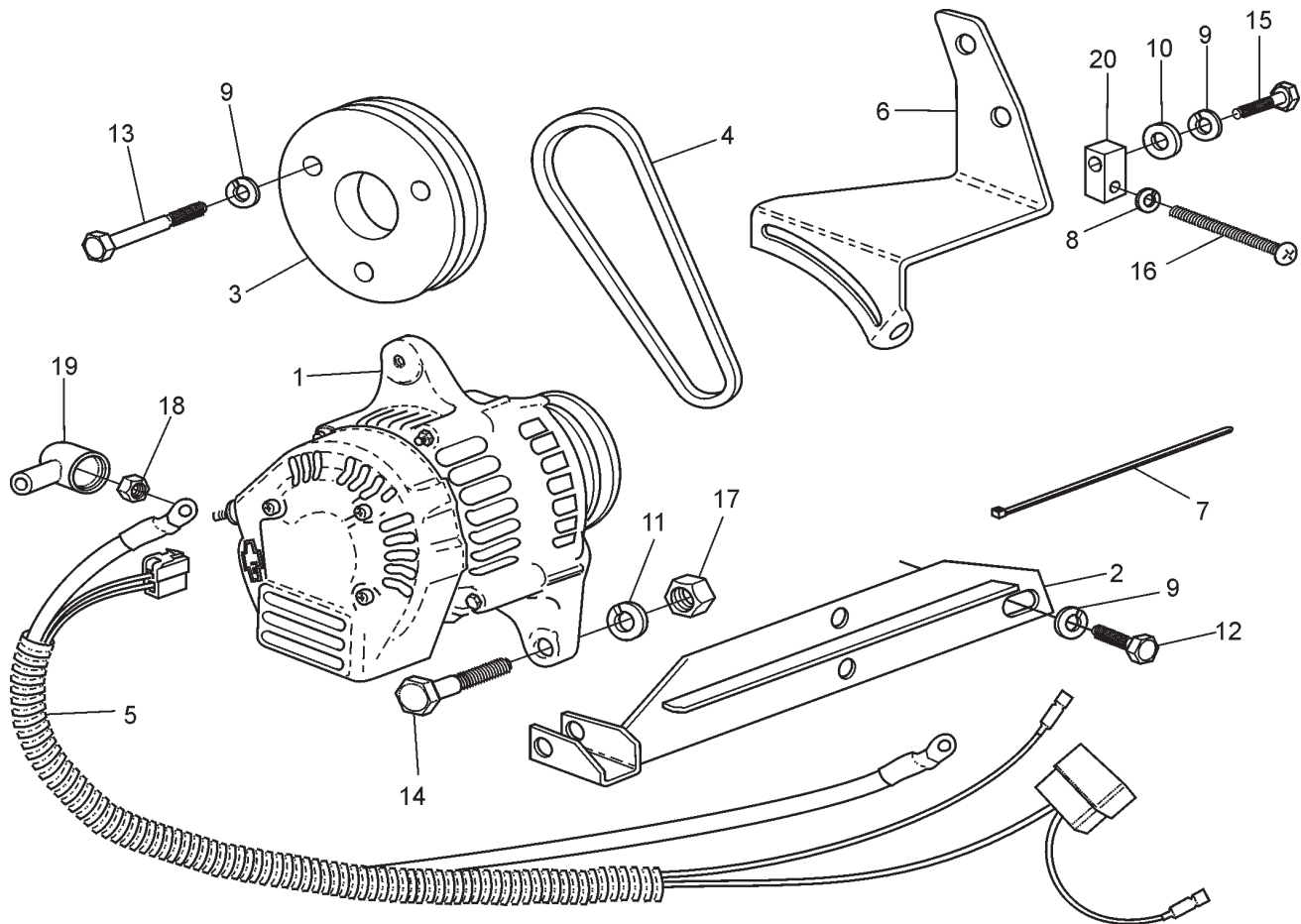
Shipping Weight and Dimensions

1 Box 849-90-2 Kit - Dimensional Weight: 173 lbs.; Dimensions: 61" x 47" x 10"; Actual Weight: 130 lbs.

1 Piece 2 x Angle Irons; Dimensions: 84" x 2" x 1"; Actual Weight: 16 lbs.



850-40 Alternator Kit - Conquest

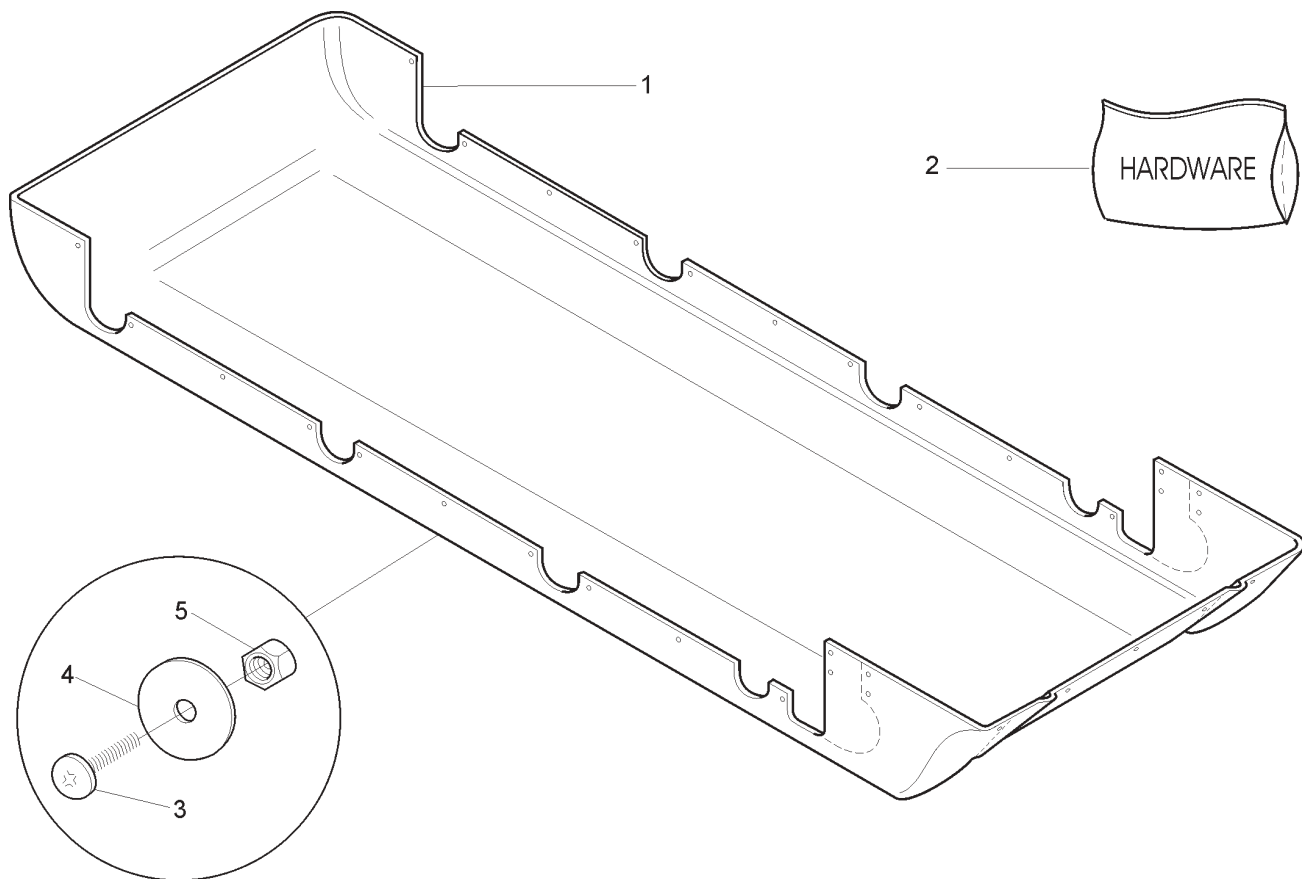


Ref.	Qty.	Part #	Description
1	1	850-41	Alternator - 40 amp
2	1	850-42	Bottom Bracket
3	1	850-44	Pulley
4	1	850-45	V-Belt, 3/8" x 19"
5	1	850-46	Wire Harness
6	1	850-53	Top Bracket
7	1	850-40HDW	Hardware Kit comprised of:
7	2	100-64	Tie Wrap - 5.5" - Black
8	1	108-03	Lockwasher 1/4" Split-ring Zn
9	9	108-05	Lockwasher 5/16" Split-ring Zn
10	1	108-24	Flat Washer .34 x .70 x .06 Zn
11	1	108-27	Lockwasher 7/16" Split-ring Zn
12	2	112-20	HHCS M8 x 1.25 x 25mm
13	3	112-21	HHCS M8 x 1.25 x 60mm Zn
14	1	112-22	HHCS M10 x 1.50 x 50mm Zn
15	1	112-63	HHCS M8 x 1.25 x 35mm Gr 5 Zn
16	1	112-65	RHMS 1/4 - 20 x 3" Phil Zn
17	1	117-62	Nut, Hex M10 x 1.50 Zn
18	1	117-63	Nut, Hex M6 x 1.0 Zn
19	1	613-45	Insulator, Terminal (6ga.)
20	1	850-52	Block, Adjuster

Shipping Weight and Dimensions

1 Box - Dimensional Weight: 3.5 lbs.; Dimensions: 12" x 8" x 6"; Actual Weight: 11 lbs.

863-10 Skid Plate Kit - 8x8



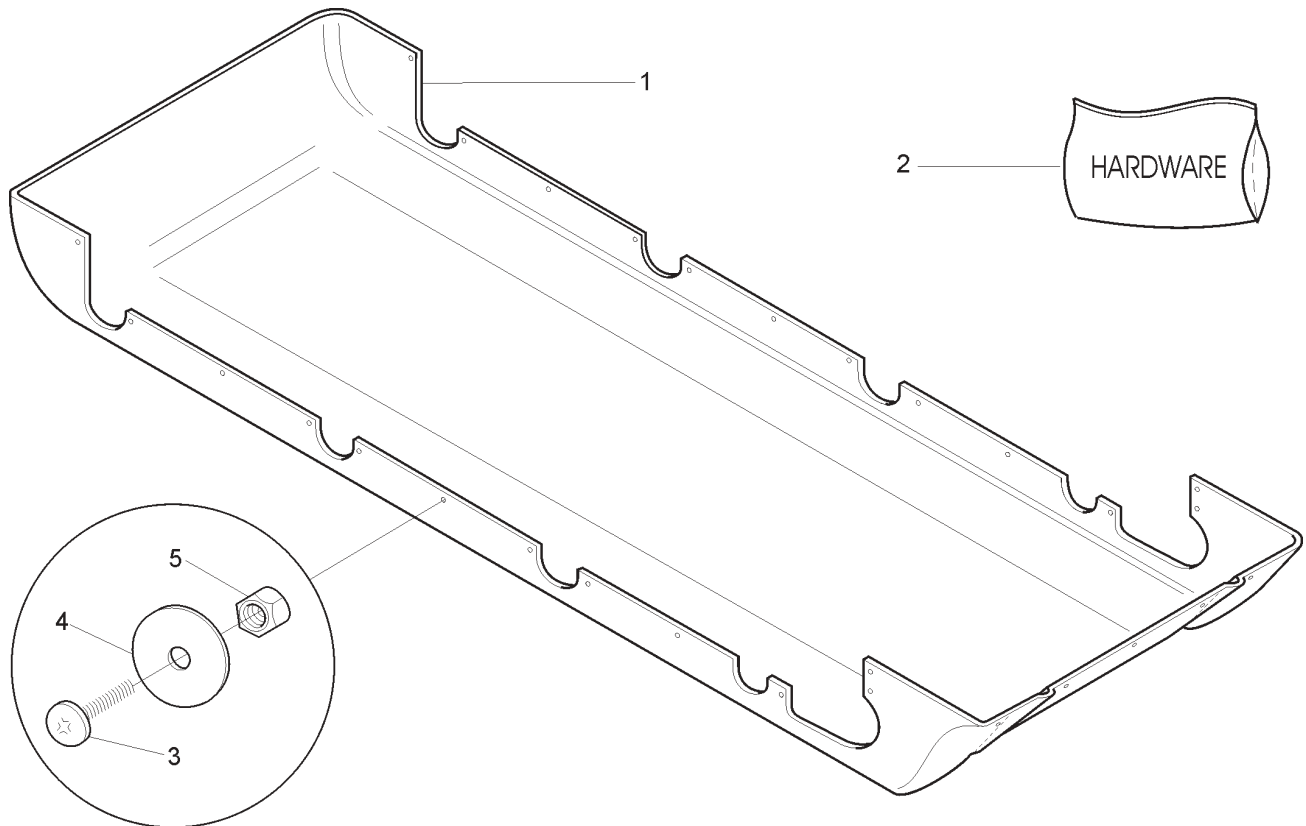
Ref.	Qty.	Part #	Description
1	1	863-09	Skid Plate - 8x8 Black
2	1	863-10HDW	Hardware Kit including:
3	42	103-63	PHMS 1/4-24 x 1.0 Zn
4	62	108-01	Washer, Fender 1/4 BS x 1.25 OD
5	42	117-27	Locknut, Nylon 1/4-20 Zn

Shipping Weight and Dimensions

1 piece 863-09, 1 piece 863-10HDW - Dimensional Weight: 203 lbs.; Dimensions: 103-1/2" x 31" x 10-1/2";
Actual Weight: 33 lbs.



863-11 Skid Plate Kit



Ref. No.	Qty.	Part #	Description
1	1	863-09	Skid Plate - 8x8 Black
2	1	863-10HDW	Hardware Kit including:
3	42	103-63	PHMS 1/4-24 x 1.0 Zn
4	62	108-01	Washer, Fender 1/4 BS x 1.25 OD
5	42	117-27	Locknut, Nylon 1/4-20 Zn

Shipping Weight and Dimensions

1 piece 863-09, 1 piece 863-10HDW - Dimensional Weight: 203 lbs.; Dimensions: 103-1/2" x 31" x 10-1/2";
Actual Weight: 33 lbs.

ARGO Products Manufactured by:

Ontario Drive & Gear Limited

220 Bergey Court
New Hamburg, Ontario
Canada N3A 2J5
Phone: (519) 662-2840
Fax: (519) 662-2421

ODG *Dedicated to quality and performance*