

Argo 6x6
VANGUARD



ARGO

**VANGUARD
PARTS MANUAL**

From Serial # ...14916

Foreword

ODG has prepared this parts manual for the VANGUARD model to assist both qualified mechanics and vehicle owners in ordering correct, quality replacement ARGO parts. For the most current parts manual visit our website at www.argoatv.com.

Proper and regular service, and replacing old, worn or broken parts with the correct ARGO replacement parts, are both essential to prolonging the life of the ARGO. Please refer to this parts manual and/or our website www.argoatv.com before ordering any replacement part.

All information contained in this VANGUARD Parts Manual is based on the latest product specification available at time of printing. If your VANGUARD differs from the specifications contained in this manual, check our website www.argoatv.com for the most current information.

ODG reserves the right to alter specifications on the VANGUARD model at any time, without obligation or prior notification.

Reproduction of the VANGUARD Parts Manual, in whole or in part, is prohibited without prior written permission from Ontario Drive & Gear Limited.

Model Identification

VANGUARD - Model No. V14916

Explanation of Parts Manual Format

Ref	- Reference number between assembly diagram and component parts list
Part No.	- Argo replacement part number for identification and re-ordering
Description	- Part description for identification and re-ordering
Qty	- Indicates the quantity of a part used in an Assembly

ARGO 6x6

VANGUARD

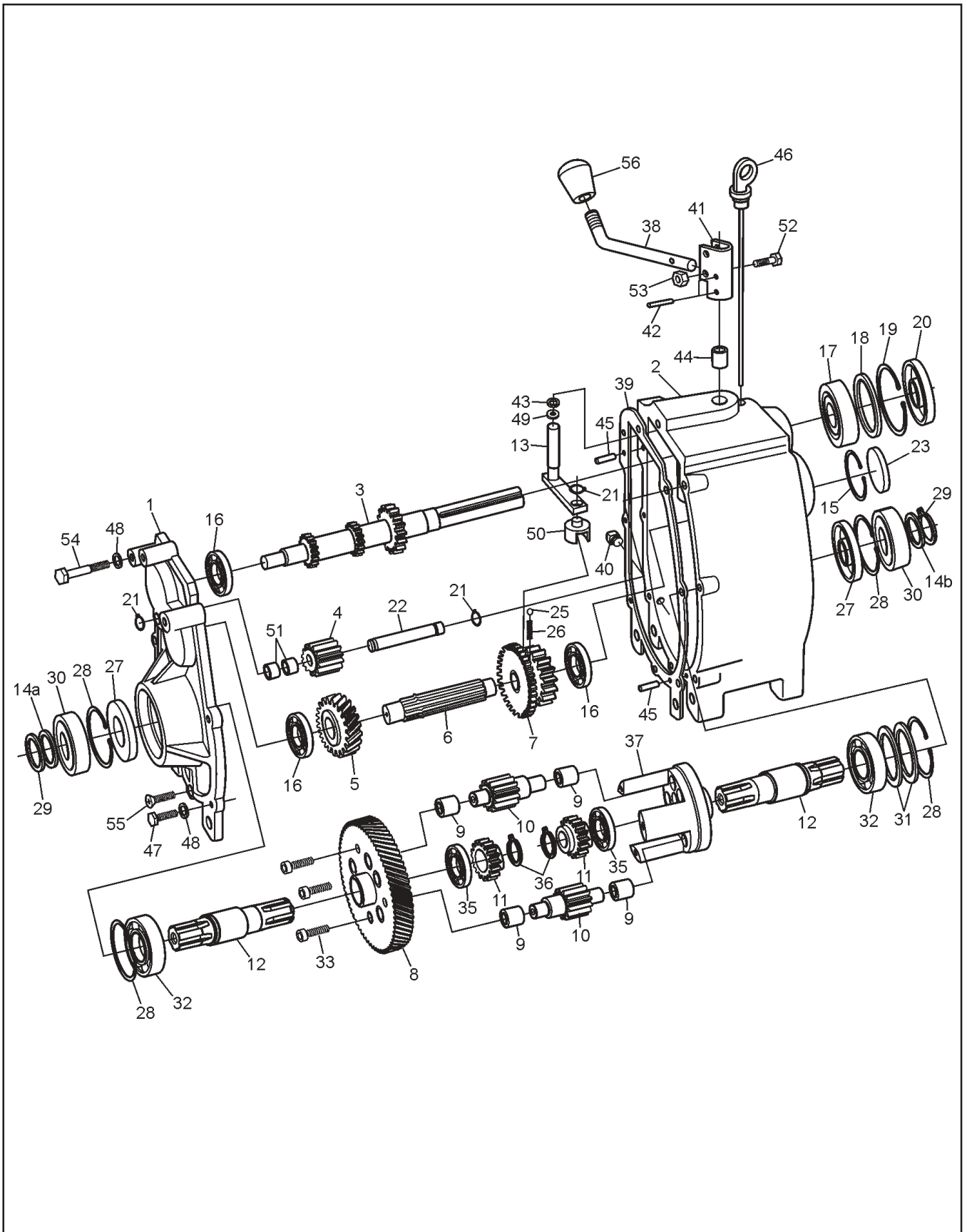


Using the Parts Manual

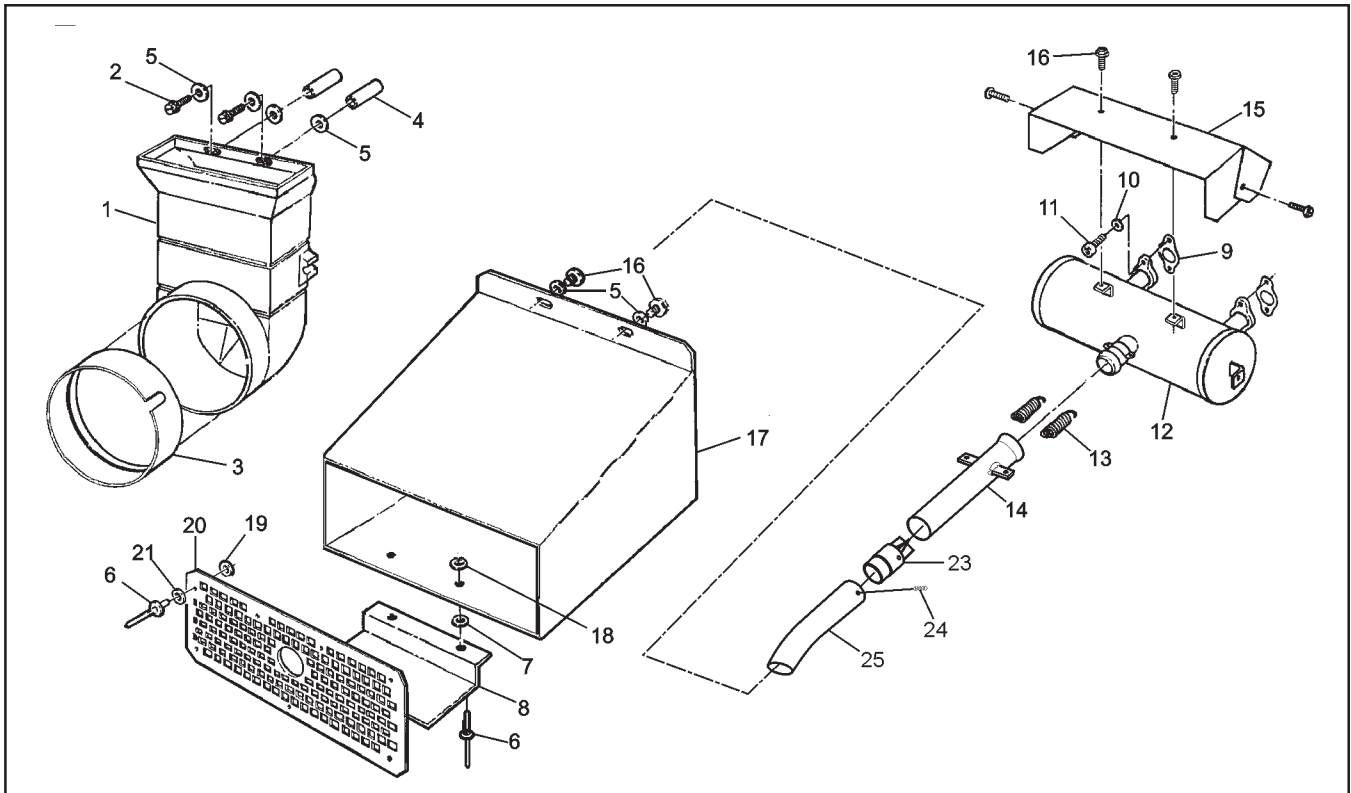
1. Find the major vehicle assembly in the Table of Contents on this page, and turn to that section.
2. Locate the part in the illustration that you wish to order.
3. Refer to the parts list in that section.
4. Find the correct part number (Part No.), part description (Description) and correct quantity (Qty).
5. Use *only* this information to order ARGO replacement parts. *DO NOT* attempt to order a replacement part by reference number or page number.

Table of Contents

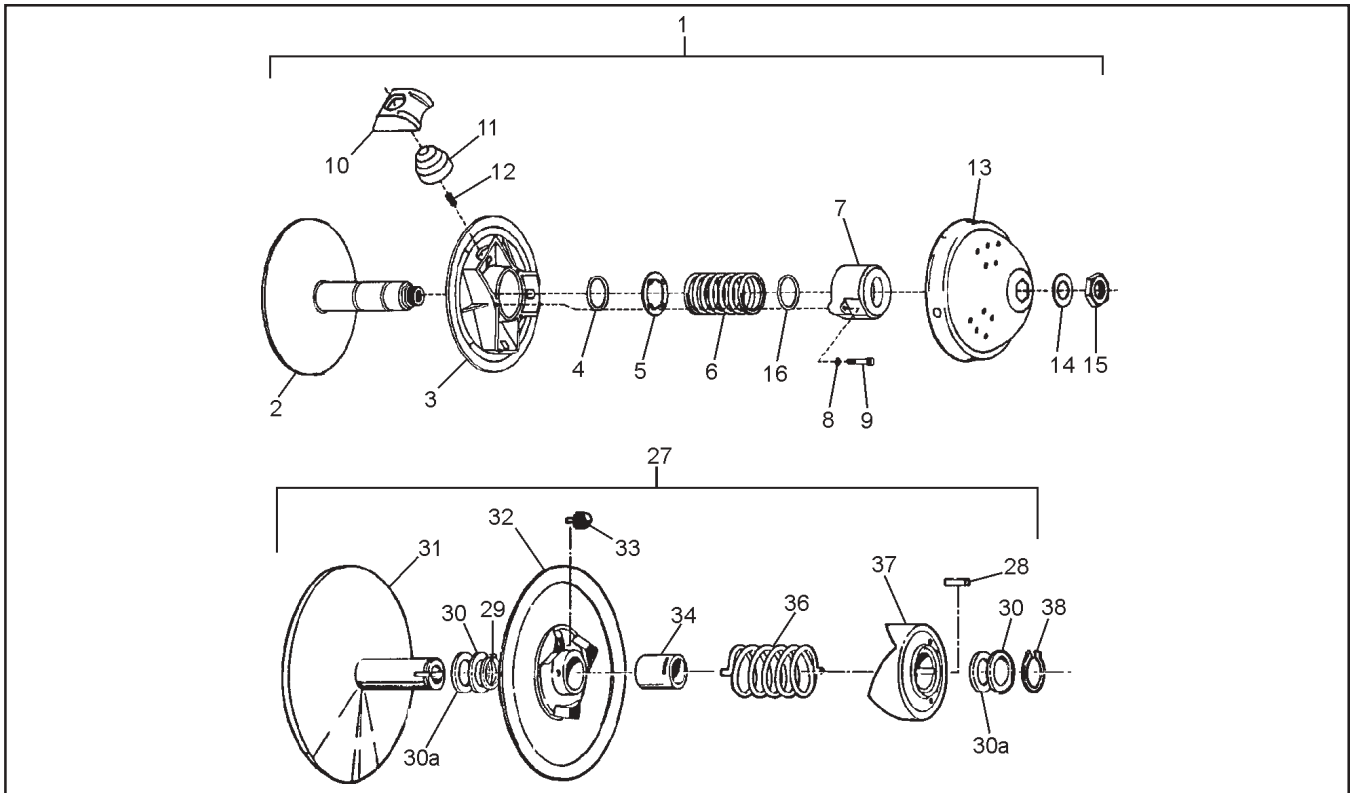
Foreword	i
Model Identification	i
Using the Parts Manual	ii
1.0 Transmission	1
2.0 Intake and Exhaust System	3
3.0 Clutch System	4
4.0 Power Pack Assembly	5
5.0 Brake System	7
6.0 Vehicle Body & Firewall	9
7.0 Frame & Drive System	11
8.0 Fuel System & Seat Assembly	13
9.0 Electrical System	15



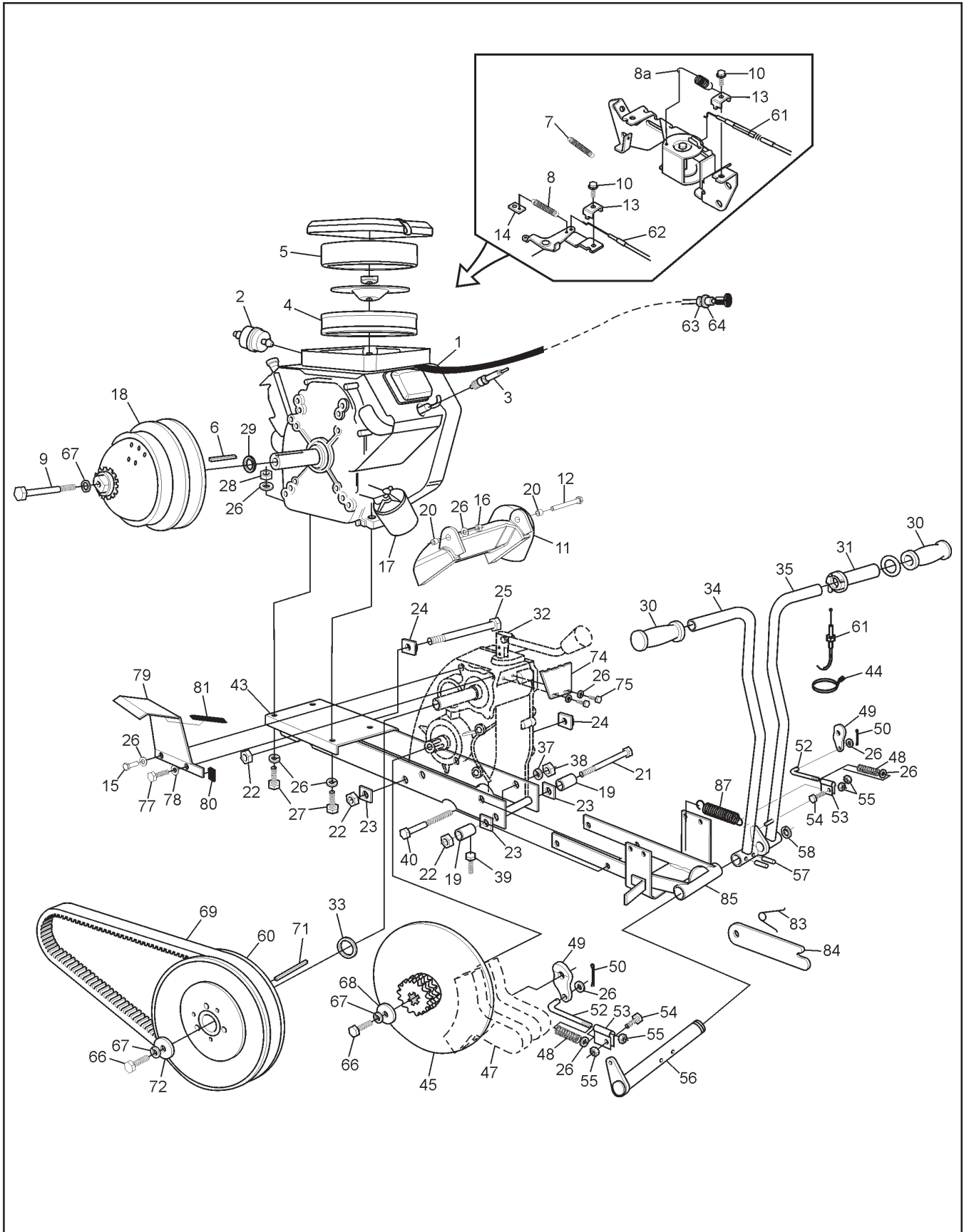
Ref.	Qty.	Part #	Description
*		610-18H	Transmission Asm - H, (does not include Refs 38, 52, 53 & 56)
1	1	34-68	Cover, Transmission
2	1	34-99	Housing, Transmission
3	1	34-21	Shaft, Input - 13/21T
4	1	34-16A	Gear, Idler 13T (incl. Ref. 51)
5	1	34-96	Gear, Helical - 26T-H
6	1	34-94	Shaft, Spline
7	1	34-91	Gear, Double - 26/33T
8	1	34-43	Gear Plate - 71T-H
9	12	105-03	Bushing, Oilite ½ x ¾
10	6	34-13	Gear, Planet - 12T
11	2	34-14	Gear, Sun - 21T
12	2	34-98	Shaft, Output
13	1	34-65	Shifter Asm
14a	1	114-04	Washer, Shim .040 Thk
14b	1	114-05	Washer, Shim .020 Thk
15	1	106-01	Retaining Ring
16	3	101-01	Bearing, Ball 6204Z-C3
17	1	101-16	Bearing, Ball 6206-C3
18	as req.	114-02	Washer, Shim
19	1	106-05	Retaining Ring
20	1	102-05	Seal, Oil WBS 30 x 62 x 10
21	3	107-05	Retaining Ring
22	1	34-11	Pin, Dowel ½ x 3.50
23	1	31-07	Plug plate
25	1	109-05	Ball, Steel 6mm 62-67 Rc
26	1	34-32	Spring, Compression - 7/32 x 0.50
27	2	102-03	Seal, Oil WBS 30 x 72 x10
28	4	106-03	Retaining Ring
29	2	107-02	Retaining Ring
30	2	101-05	Bearing, Ball 6306-2NSE C3
31	2	114-01	Washer, Shim .020 x 2.25 x 2.81
32	2	101-03	Bearing, Ball 6207-C3
33	3	103-04	SHCS 5/16-18 x 1.00 Bare
35	2	101-15	Bearing, Ball 6005-C3
36	2	107-04	Retaining Ring
37	1	34-08	Cage
38	1	610-77	Lever, Shift
39	1	34-47	Gasket, Cover - 1/64" Thk
40	1	103-02	Plug, Magnetic 3/8 - 18 NPT Sq. Hd.
41	1	34-86	Holder, Shift Lever
42	2	111-01	Pin, Slotted Spring 5/32 x 1.00
43	1	113-01	O-Ring 012-7147
44	1	105-02	Bushing, Oilite 1/2x 1.0
45	2	104-03	Pin, Dowel 1/4 x 7/8
46	1	34-77	Dipstick - with Breather
47	4	103-06	HHCS 5/16-18 x 1.00 Gr5 Zn
48	7	108-05	Lockwasher 5/16
49	1	108-74	Washer .64 x .875 x .10 Zn
50	1	34-63	Shift Yoke
51	2	101-79	Bearing, Drawn Cup Needle
52	1	103-97	HHCS 1/4-20 x 1.25 Gr5 Zn
53	1	117-27	Locknut, Nylon 1/4-20 Zn
54	3	103-84	HHCS 5/16-18 x 2.25 Gr5 Zn
55	1	103-95	FHSC 5/16-18 x 1.0 Gr8 Zn
56	1	126-38	Knob, Shift



Ref.	Qty.	Part #	Description
1	1	603-81	Duct, Intake
2	2	112-48	Screw, T/S HH#14 x 2.25 Zn
3	1	603-82	Seal
4	2	120-29	Spacer, .26 ID x 1.12 LG
5	6	108-08	Washer, .28 x .62 x .04 Zn
6	9	120-13	Rivet 3/16 x 5/8 - Black
7	2	125-58	Washer, Fibre - W-77F
8	1	707-28	Support, Exhaust Duct
9	2	805024	Gasket
10	4	108-02	Lockwasher 5/16 Hi-Collar Bare
11	4	112-30	SHCS M8 x 1,25 x 20mm Zn
12	1	807-90	Muffler, B&S V-Twin Weld Ass'y
13	2	126-57	Spring, Extension- 7/16 x 2.14
14	1	807-92	Pipe, Mufflertail - B&S
15	1	807-85	Shield, Muffler Heat
16	6	112-19	Screw, IHWH T/C Slot 1/4-20 x 1/2
17	1	707-32	Duct, Exhaust
18	2	120-04	Washer .19 x .50 x .08 Zn
19	7	120-05	Washer .19 x .50 x .04 Zn
20	1	707-31P	Screen, Exhaust
21	7	125-59	Washer, Fibre -.062 x .25 x .50
23	1	807-67	Spark Arrester
24	1	112-43	Screw, IHWH #8 x 3/8
25	1	807-89	Tube, Tailpipe Outlet



Ref.	Qty.	Part #	Description
1	1	127-72	Clutch, Driver, keyed (incl. Refs. 2 to 15) IBC #0400-0061
2	1	0405-0043	Pulley, Half - Fixed
3	1	0410-0007	Pulley, Half - Sliding
4	1	V08	Ring, Retaining
5	1	V09	Plate, Spring Guide
6	1	V10-48-103-18	Spring
7	1	0440-0002	Cover, Spring
8	3	0080-0167	Lockwasher
9	3	222-9640-66	SHCS
10	3	0130-3002	Block, Red
11	3	0135-2059	Weight - 200g
12	3	C24-L1	Spring, Anti-Noise
13	1	0115- 0015(B)	Cap
14	1	0080-0153	Washer
15	1	0080-0100	Nut
16	1	V08C	Ring, Retaining
27	1	127-129	Clutch, Driven-Model "B" SODB0001 (incl. Refs. 28 to 37)
28	1	ASK-5	Key 1/4 x 1/4 x 5/8
29	1	ASR-6	Retaining Ring
30	as req	ASA-1	Spacer .050" Thick
30a	as req	ASA-1-S	Spacer .025" Thick
31	1	AFK25.4-250OD01	Pulley, Half - Fixed
32	1	5110-0021	Pulley, Half - Sliding incl. Refs. 33 & 34
33	3	ANS-2-T	Shoe, Cam
34	1	5040-3003	Bushing, Super Oilite
36	1	ACS-3-188	Spring, Blue
37	1	AFC-4-C3D4	Cam
38	1	371-9031-000	Retaining Ring

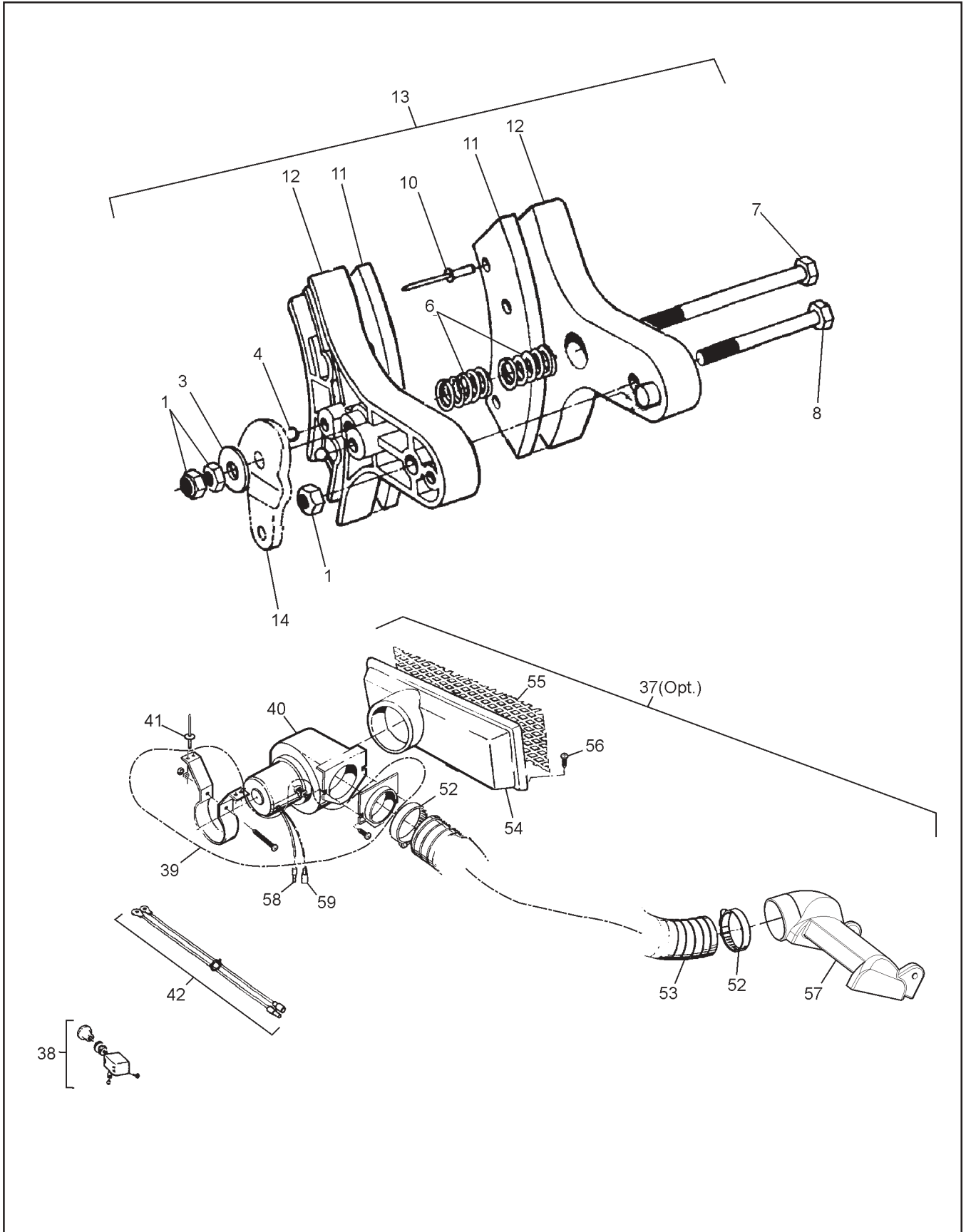


Vanguard Parts Manual

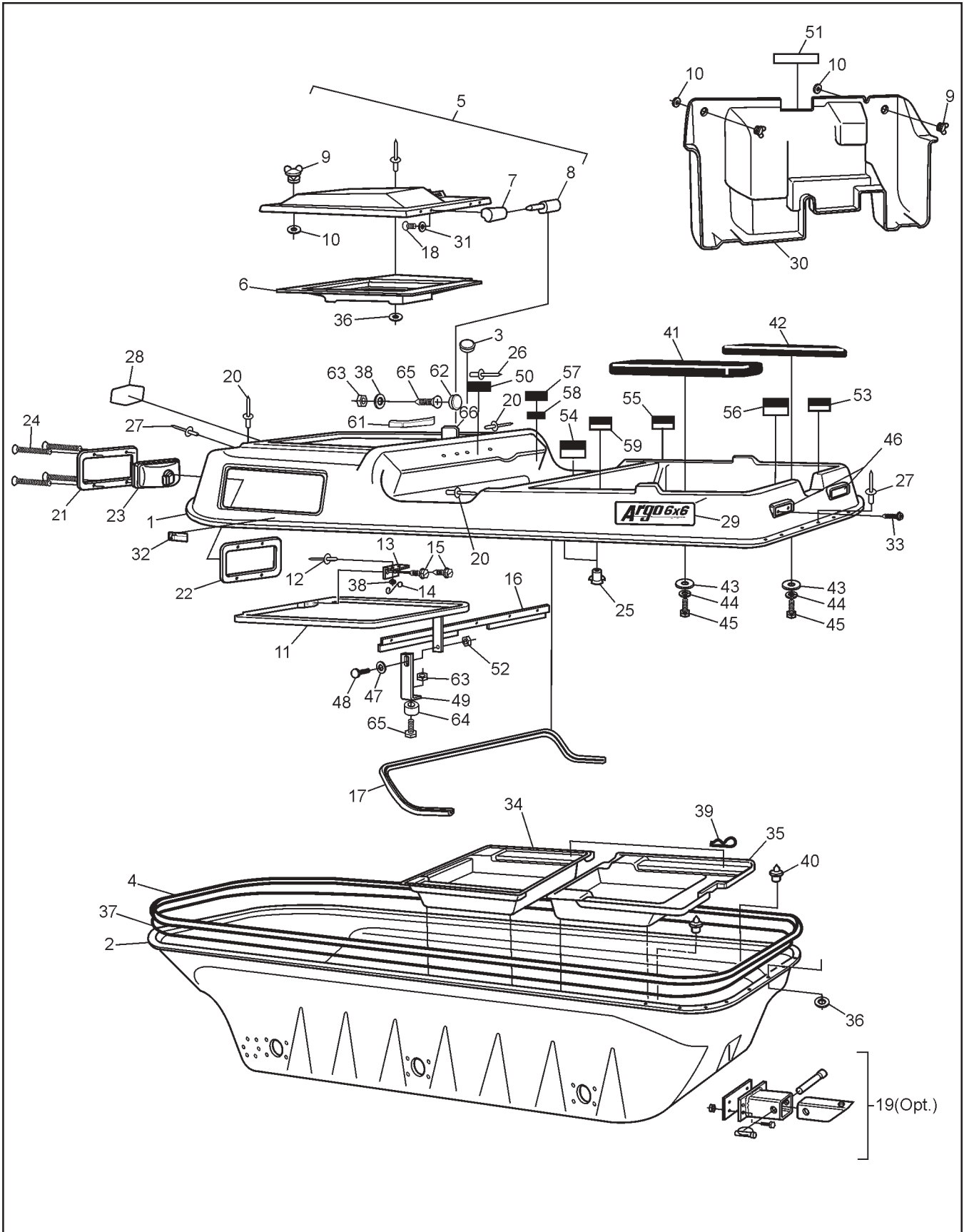
4.0 Power Pack Assembly

Ref.	Qty.	Part #	Description
1	1	126-52	Engine - Vanguard V-Twin 16 HP (incl. refs. 2-10, 13, 14, 17) B&S#3034471406E1
2	1	125-64	Fuel filter, G81-4
3	2	126-74	Spark Plug #3926
4	1	394018	Filter - Air (B&S#)
5	1	272490	Element, - Foam (B&S#)
6	1	110-03	Key 1/4x3/16x2.375 RC46
7	1	805523	Spring, Governor - Green
8	1	125-88	Spring, Extension
8a	1	127-49	Spring, Return
9	1	112-28	HHCS 3/8-24x4.5 Gr5 Zn
10	2	805169	Screw-Hex Head (BS #)
11	1	128-01	Duct, Brake Cooling
12	1	112-132	HHCS 5/16-18 x 3.25 Gr5 Zn
13	2	221535	Clamp - Casing (BS #)
14	1	601-86	Clip, Retainer
15	1	103-38	HHCS 5/16-18 x 1.25 Gr5 Zn
16	1	117-21	Locknut, Nylon 5/16-18 Zn
17	1	126-95	Filter, Oil
18			See Section 3.0 Clutch
19	2	811-14	Spacer
20	2	108-71	Spacer 5/16 ID x 7/16 OD x 13/32 LG
21	1	112-57	HHCS 5/8-11x10.00 Gr5 Zn
22	3	117-83	Locknut, Stover 5/8-11 Zn
23	3	811-09	Washer, Square .64ID
24	2	811-15	Washer, Square lock .64ID
25	2	112-58	HHCS 5/8-11x7.50 Gr5 Zn
26	22	108-24	Washer .34 x .70 x .06 Zn
27	4	112-27	HHCS 5/16-18x1.75 Gr5 Zn
28	4	117-21	Locknut, Nylon5/16-18Zn
29	1	114-04	Washer, Shim 1.19 x 1.50 x .04
30	2	127-35	Grip, Molded Rubber
31	1	127-81	Throttle Twist Grip
32			See Section 1.0 Transmission
33	as req	108-36	Washer .06x1.00x1.375 Zn
34	1	612-98	Lever, Steering - LH
35	1	612-99	Lever, Steering - RH
37	2	108-07	Lockwasher 1/2
38	2	117-06	Nut, Fin Hex 1/2-13 Zn
39	2	103-53	HHCS 3/8-16x3.0 Full Thread
40	2	112-52	HHCS 1/2-13x7.0 Gr5 Zn

Ref.	Qty.	Part #	Description
43	1	611-71	Frame-Power Pack
44	1	100-64	Tie-Wrap - 5.5" - Black
45	2	610-76	Brake Disc-#40-2x15T
47			See Section 5.0 Brake System
48	2	127-48	Spring, Comp. .54x1.90
49	2	612-41	Brake Cam
50	2	100-03	Pin, Cotter 3/32x.750 Zn
52	2	612-21	Brake Adjusting Rod
53	2	612-20	Steering Rod Clamp
54	2	103-46	HHCS 5/16-24x1.0 Gr5 Zn
55	4	117-04	Locknut, Nylon 5/16-24 Zn
56	1	612-81	Steering Shaft Asm.
57	2	111-04	Pin, Spirol 5/16x1.50
58	1	107-01	Retaining Ring
60			See Section 3.0 Clutch System
61	1	612-101	Cable Asm, Throttle
62	1	612-92	Cable Asm, Choke
63	1	117-68	Nut, Jam 3/8-24 UNF Zn
64	1	108-32	Lockwasher 3/8 Int. Tooth
66	2	103-18	HHCS 3/8-24x1.25 Gr5 Zn
67	4	108-06	Lockwasher 3/8 Split Ring Zn
68	2	108-18	Washer 13/32x1.375x11GA
69	1	125-56	Drive Belt
70	1	103-34	HHCS 3/8-16x1.25 Gr5 Zn
71	1	110-09	Key 1/4 x 1/4 x 3.0
72	1	108-46	Washer .40 x 1.37 x .12 Hi-Carbon
74	1	610-81	Shift Gate, Transmission
75	2	112-01	HHCS 5/16-8x3/4 Gr5 Zn
77	2	103-17	HHCS 3/8-16x1.0 Gr5 Zn
78	2	108-26	Washer 3/8 Zn
79	1	603-29	Guard, Belt Protect
80	1	601-92	Vinyl Trim - 1.5"
81	1	601-93	Vinyl Trim - 4.25"
83	1	126-87	Spring, Parking Brake
84	1	612-80	Holding Brake Lever
85	1	612-100	Bracket Asm., Mech. Brake
87	2	127-33	Spring, Extension - Strg Lever



Ref.	Qty.	Part #	Description	
1	3x2	117-46	Locknut, 2-way 5/16-24 Zn	
3	1x2	108-12	Washer, .34 x 1.00 x .06 Zn	
4	2x2	109-02	Ball, Steel 1/4 Chromesteel	
6	2x2	100-10	Spring, Compression	
7	1x2	103-16	HHCS 5/16-24 x 3.75 Gr8 Zn	
8	1x2	103-29	HHCS 5/16-24 x 2.75 Gr8 Zn	
10	8x2	120-11	Rivet - 5/32 x 9/16	
11	1x2	100-56	Brake Pad, Set of 2	
12	2x2	100-54A	Caliper, Brake	
13	1x2	100-72A	Brake Assembly (incl. Refs. 1 to 12)	
14			See Section 4.0 Power Pack Assembly	
37	1	668-03	Brake Cooling Kit - Van2 (incl. Refs. 38 to 59)	
38	1	100-62	Switch, Light	
39		125-92	Adpt. & Mounting Kit (incl. Refs. 43 to 50)	
40	1	125-91	Blower Fan	
41	4	120-13	Rivet - 3/16 x 5/8	
42	1	613-05	Wire Harness	
43	1	<div style="display: flex; align-items: center;"> <div style="border-left: 1px solid black; border-right: 1px solid black; border-bottom: 1px solid black; width: 10px; height: 40px; margin-right: 5px;"></div> <div style="display: flex; flex-direction: column; justify-content: space-between; align-items: center;"> See 125-92 above </div> </div>	Mounting Bracket	
44	1		Nut, #10-32	
45	1		Lockwasher, 3/16"	
46	1		Screw, #10-32 x 2"	
47	2		Nut, 1/4-20	
48	2		Lockwasher, 1/4"	
49	2		Screw, 1/4-20 x 5/8"	
50	1		Adaptor, 3" dia.	
52	2		125-35	Clamp, Gear 3.50" HF-52
53	1		127-44	Hose, Intake 3" dia. x 46"
54	1	601-89	Intake Flange (specify colour)	
55	1	126-61	Intake Screen	
56	4	112-56	Pan HD Phil T/S #10 x 3/4 A Zn	
57	1	128-01	Brake Cooling Duct	
58	1	118-02	Terminal, Male - #76-1251	
59	1	118-03	Terminal, Female - #76-1289	



Vanguard Parts Manual

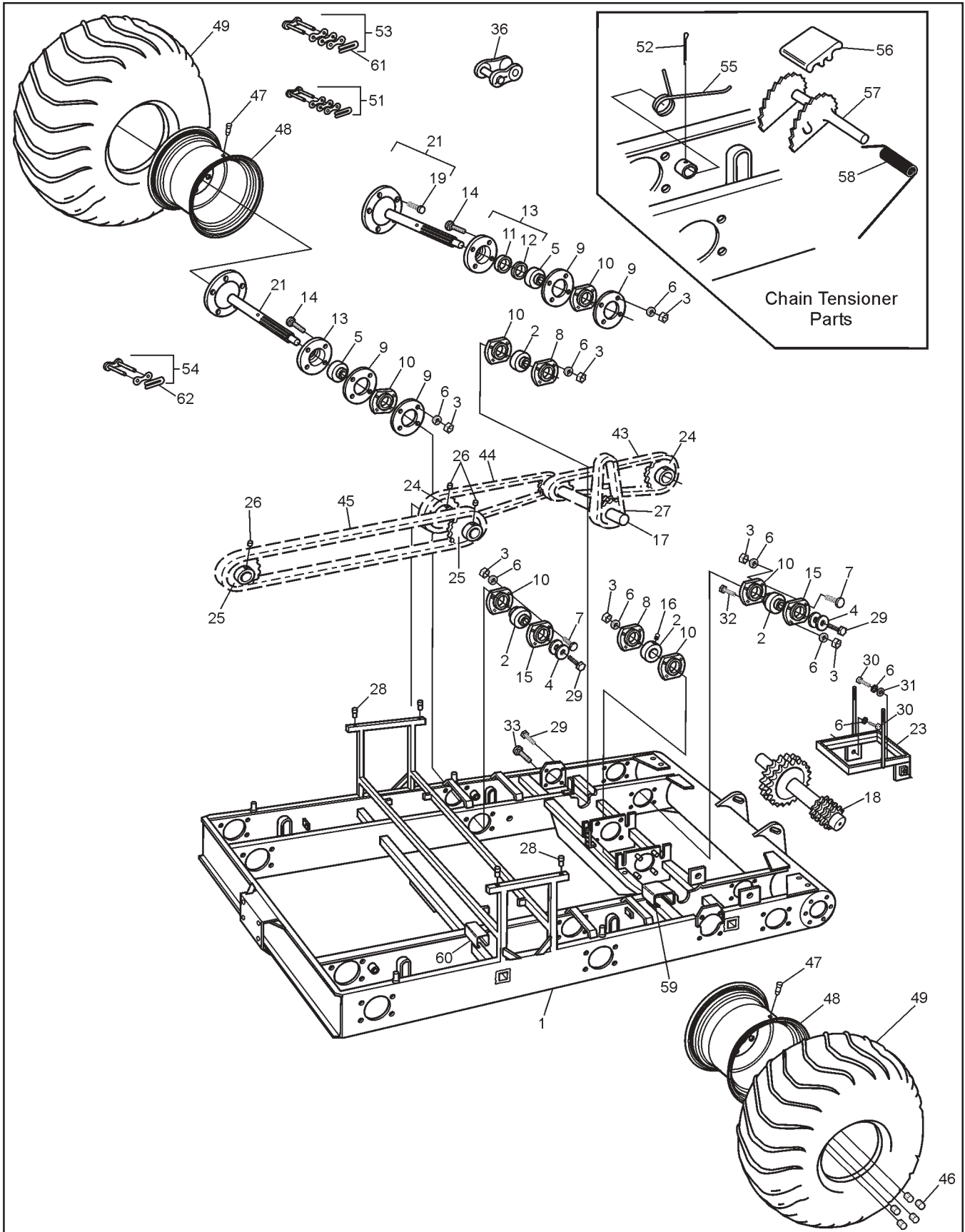
6.0 Vehicle Body & Firewall

Ref.	Qty.	Part #	Description
1	1	601-32	Body + Hood, Upper -Van. Replacement, specify colour (incl. Ref. 5,11,12,13,14,15 & 38)
2	1	603-92BL	Body, Lower - 6x6, Black
3	1	127-28	Plug, Nylon - Black
4	1	601-05	Bumper, Vinyl - 6x6
5	1	602-37	Hood Kit, Vanguard specify colour (incl. Ref 6 to 10, 18, 31 & 36)
6	1	801-47	Duct, Intake Transition, specify colour
7	2	127-45A	Pin, Hinge
8	2	127-45B	Knuckle, Hinge
9	3	126-10	Wing Stud
10	3	126-09	Grommet, Alum, #GH-7
11	1	602-24	Hood Support Assembly
12	6	120-15	Rivet - 1/8 x 7/16
13	1	601-69	Spring Plate
14	3	126-11	Spring
15	2	112-19	Screw, IHWH T/C Slot 1/4-20 x 1/2
16	1	602-29	Brace, Dash
17	1	601-08	Vinyl Trim, 84"
18	8	103-47	HHCS 10-24 x 1/2
19	1	626-10	Hitch Kit (Opt.)
20	12	120-13	Rivet - 3/16 x 5/8
21	2	613-75	Bezel, Headlamp
22	2	613-76	Bracket, Headlight Backing
23			See Section 9.0 Electrical System
24	8	103-24BL	OHPS T/S #6x1.00 Black Zn
25	4	117-44	T-Nut 1/4-20
26	42	120-24	Rivet - Alum,3/32x3/8-all plates
27	76	120-09	Rivet - 3/16 x 1
28	1	601-44	Nameplate, "ARGO"
29	2	601-97	Nameplate, 6x6 Vanguard
30	1	609-37	Firewall - Vanguard
31	8	108-59	Lockwasher, #10 Int. tooth Zn
32	1	127-144	Label, Warning - HOT

Ref.	Qty.	Part #	Description
33	4	103-48	T/S Pan HD Phil #10x5/8 A Zn
34	1	603-02	Floor Pan, Front, specify colour
35	1	603-03	Floor Pan, Rear 6x6, specify colour
36	51	120-04	Washer, .19x.50x.08 Zn
37	1	126-60	Vinyl Strip 1/2"x1/4"x37.5'
38	4	120-05	Washer,.19x.50x.04 Zn
39	4	100-16	Clip, Hitch Pin 1.625 Zn
40	2	100-18	Plug, Drain 5/8" x 13/32"
41	1	601-03	Seat, Rear LH - 6x6
42	1	601-02	Seat, Rear RH - 6x6
43	2	603-15	Washer, Plastic
44	2	108-01	Washer, Fender 1/4 SAE Zn
45	2	103-08	HHCS 1/4-20 x 1.00 Zn
46	2	127-01	Reflector, Red
47	1	108-06	Lockwasher 3/8 Split Ring Zn
48	1	103-89	C/Bolt 3/8-16 x .75 Gr2 Zn
49	1	602-27	Support, Adjustable
50	1	127-97	Plate, Caution - Keyswitch
51	1	126-65	Shifting Plate
52	1	117-15	Nut, Fin. Hex 3/8-16 Zn
53	1	126-67	Floor Pan Plate
54	1	126-68	Operation Plate
55	1	126-69	Fuel Plate
56	1	127-76	Plate,Capacity - Land/Water Vehicle ID Plate
57	1		U.S. Plate, Non U.S. Argos only
58	1		Plate, Capacity - 6x6
59	1	127-51	Dash Handle (incl. 62)
60	1	125-41	Plug cap (avail. only with 61)
61	2		Locknut, Nylon #10-24 Zn
62	3	117-10	Bumper, Rubber
63	1	126-88	PHMS #10-24 x 3/4" Zn
64	3	103-25	Clip, Hood
65	1	602-38	
66	1		

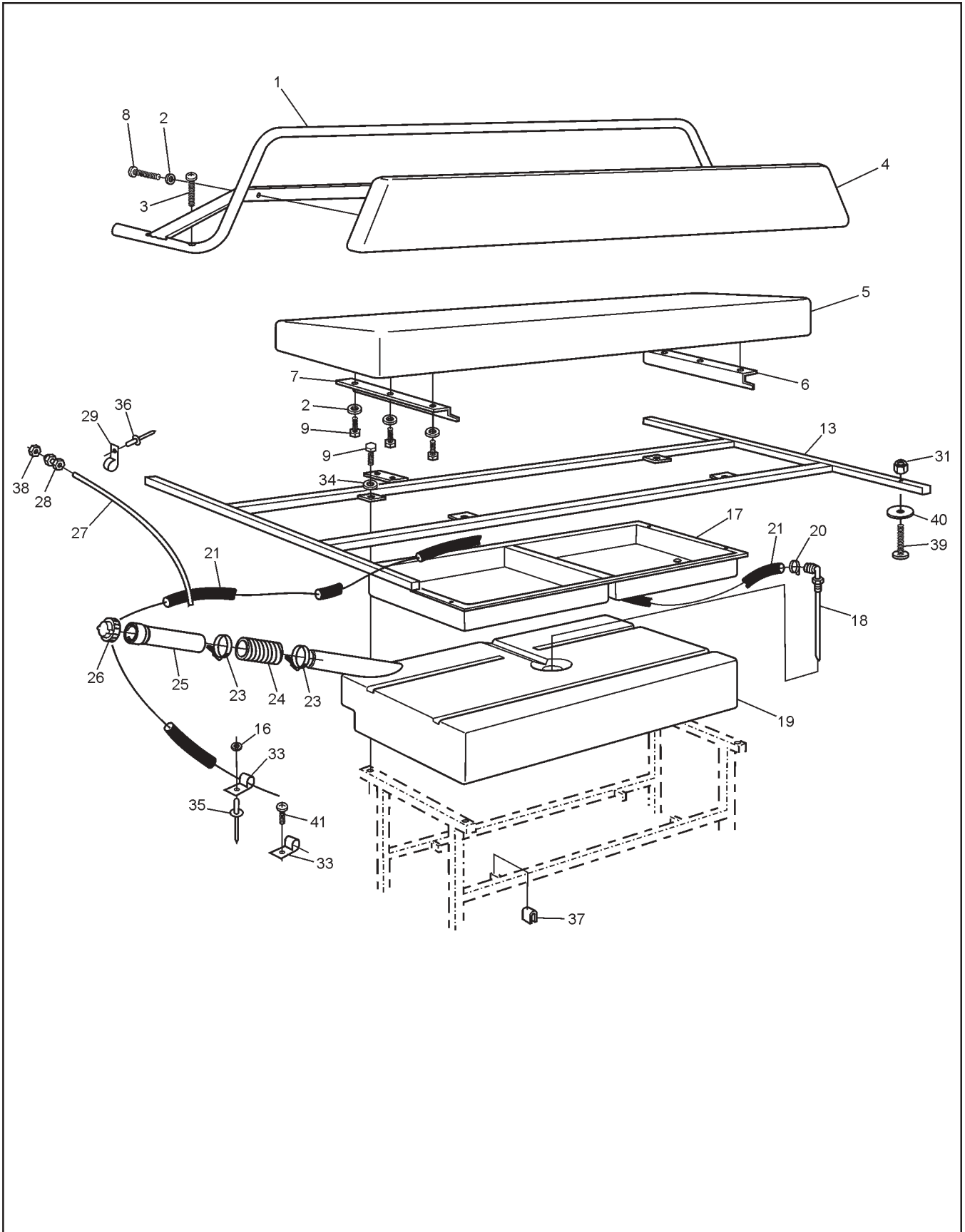
7.0 Frame and Drive System

Vanguard Parts Manual



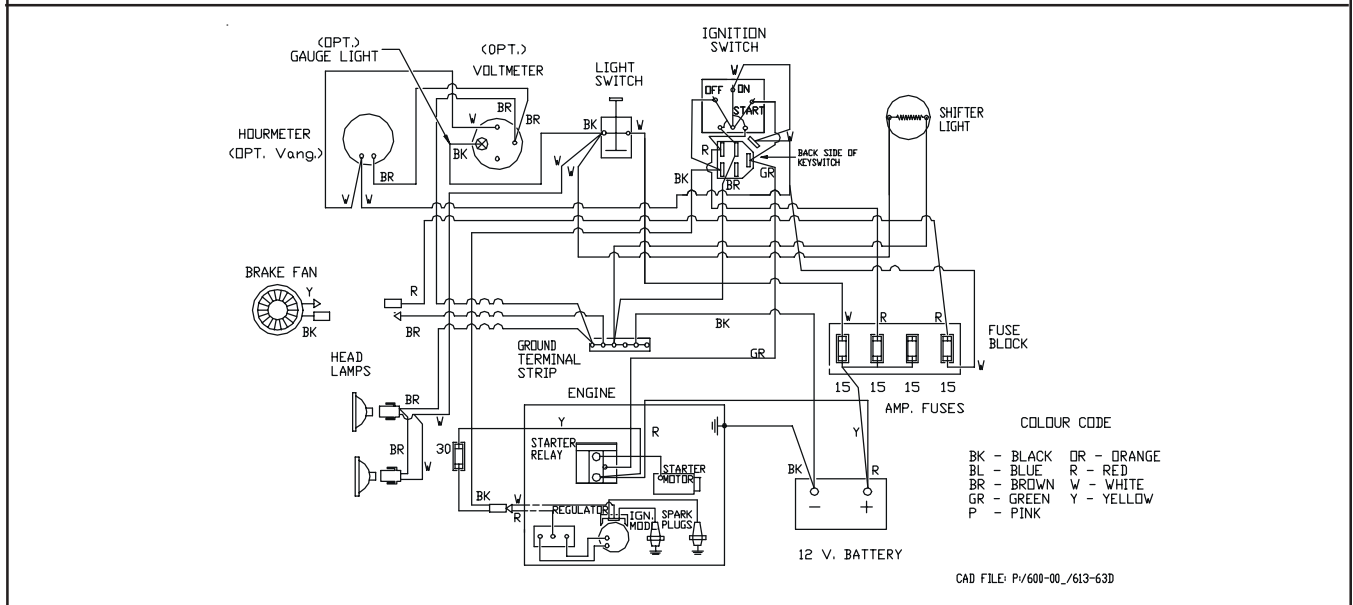
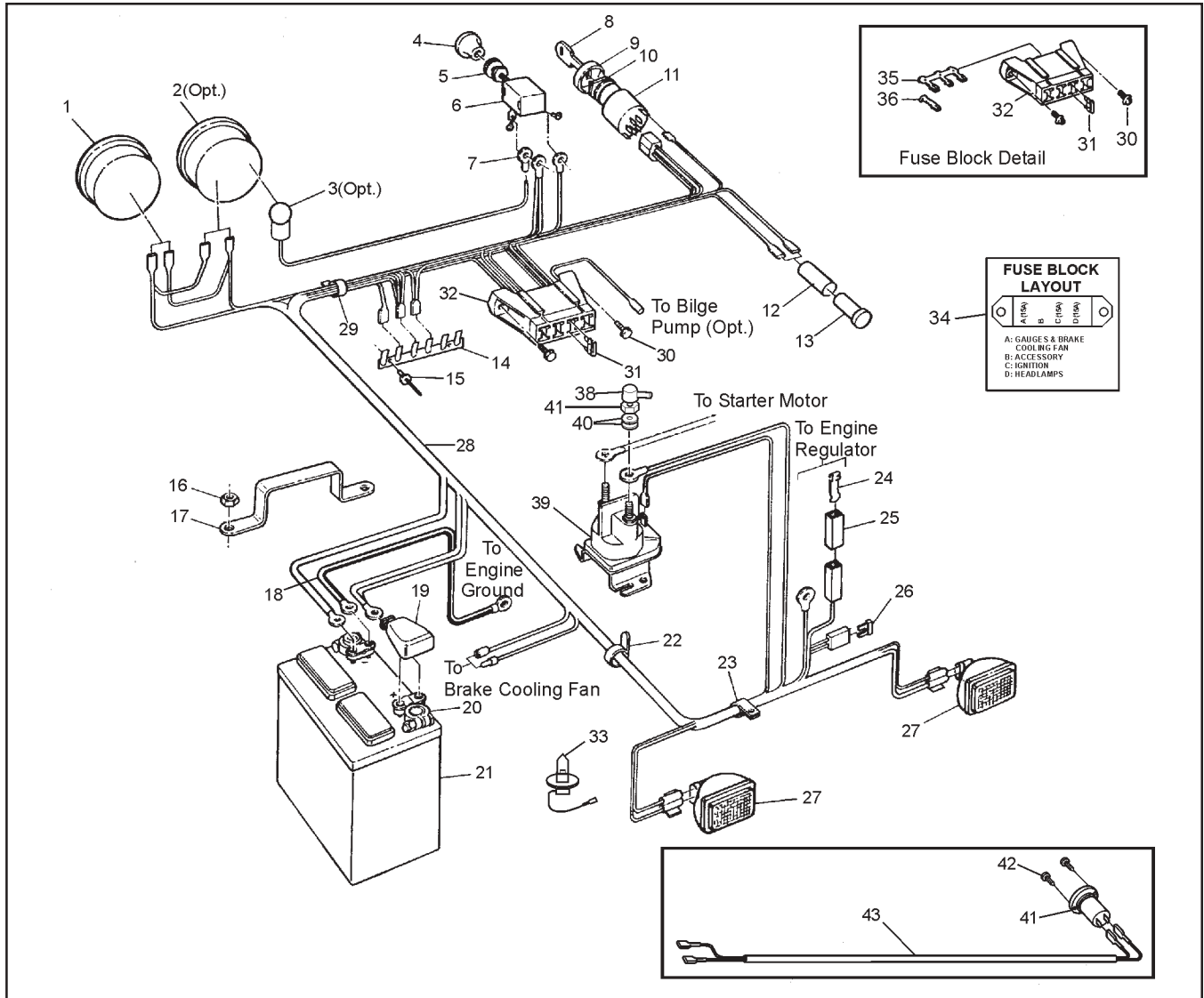
Ref.	Qty.	Part #	Description
1	1	606-60	Frame Asm - 6x6
2	10	101-41	Bearing, Ball - 1.0
3	64	117-29	Locknut, Nylon 3/8-16 Zn
4	12	108-46	Washer .40 x 1.37 x .12 Hi-Carbon
5	6	101-35	Bearing, Ball - 1.25
6	66	108-15	Washer .42 x .81 x .05
7	22	103-88	C/Bolt 3/8-16 x 1.0 Gr5 Zn
8	4	101-80	Flange, Greaseable - 90 Degree
9	12	605-89	Gasket, Outer Bearing Flange
10	16	605-63	Flange - 4-hole
11	6	102-14	Seal, Oil 1.25 x 1.75 x 0.188
12	6	102-15	Seal, Oil 1.25 x 1.874 x 0.25
13	6	605-97	Flange Ass'y Outer (incl. Refs. 11 & 12)
14	24	112-39	C/Bolt 3/8-16 x 1.75 Gr5 Zn
15	6	101-20	Flange Greaseable - 4 Hole
16	4	112-60	SHSS 1/4 x 28 x 1/2 Cup Pt.
17	1	606-30	Idler Asm. - L4 x 11T 2 x 24T
18	1	606-31	Idler Asm. - R4 x 11T 2 x 24T
19	5x6	103-80	Stud, Wheel 7/16-20 x 1.125 #B271
21	6	810-75	Axle Assembly (incl. Ref. 19)
23	1	604-84	Frame Assembly, Battery
24	4	810-28	Sprocket, Double - 24T
25	4	606-34	Sprocket - S60 x 19T
26	6	112-03	SHSS 5/16-18 x 3/8 1/2 DOG, PL
27	2	603-22	Chain, Idler RC40-2 x 46P (incl. Ref 51)
28	4	117-64	Insert, 1/4-20
29	10	112-31	HHCS 3/8-16 x 1.0 2B Gr8 Zn
30	2	112-14	HHCS 3/8-16 x .75 Gr5 Zn
31	1	108-15	Washer 3/8 SAE Zn
32	2	103-82	HHCS 3/8-16 x 1.5 Gr5 Zn
33	4	112-61	C/Bolt 3/8-16 x 1.25 Gr5 Zn
36		127-80	Link, Half - RC60 - 1 (opt.)
43	2	603-17	Chain RC50 - 2 x 42P - Front (incl. Ref 53)
44	2	603-26	Chain RC50 - 2 x 76P - Mid (incl. Ref 53)
45	2	603-83	Chain RC60 - 1 x 88P - Rear (incl. Ref 53)
46	5x6	117-35	Nut, Wheel 7/16-20 Zn
47	6	125-26	Valve, Tire
48	6	125-13C	Rim - 8x7 - 5 bolt - Charcoal
49	6	126-96	Tire, Goodyear Runamuk 22 x 10-8
51	1x2	100-97	Con. Link, RC40-2 H.D.
52	4	100-01	Pin, Cotter 1/8 x 1.50 Zn
53	1x4	100-96	Con. Link, RC50-2 H.D.
54	1x2	603-84	Con. Link, RC60-1 STD.
55	4	127-65	Spring Torsion - 1.16 x 0.35
56	4	606-39	Slider Block - 1/2" Shaft
57	4	606-35	Tensioner Asm, Chain
58	4	127-64	Spring, Torsion - .76 x 1.9
59	2	606-41	Slide, Chain - 2"
60	2	606-42	Slide, Chain - 1.25"
61	6	603-95	Spring Clip - RC 50 Closed
62	4	603-96	Spring Clip - RC 60 Closed

8.0 Fuel System & Seat Assembly Vanguard Parts Manual



Vanguard Parts Manual 8.0 Fuel System & Seat Assembly

Ref.	Qty.	Part #	Description
1	1	803-50	Handrail Assembly
2	10	108-03	Lockwasher , Split Ring 1/4"
3	2	112-41	PHMS, Phil 1/4-20x1.25 Zn
4	1	608-39	Back Pad Assembly
5	1	608-43	Seat, Bench
6	1	608-30	Angle - Left
7	1	608-31	Angle - Right
8	4	103-03	PHMS, Phil 1/4-20 x 1.50 Zn
9	10	112-04	HHCS 1/4-20x3/4 Gr2 Zn
13	1	804-17	Frame Assembly, Seat
16	3	120-04	Washer, .195x.50x.08 Zn
17	1	608-32	Tool Box
18	1	608-86	Pickup, Fuel, 1/4" x 6.75" (see Ref. 19)
19	1	608-24	Tank, Fuel 32 litre (incl. Ref. 18)
20	2	112-79	Clamp, Hose, 1/2" - Black
21	1	608-42	Fuel Hose, 110"
23	2	100-12	Clamp, Gear 2.25" HF36
24	1	125-94	Hose, Filler
25	1	126-47	Fuel Neck Assembly
26	1	126-46	Cap, Fuel
27	1	126-77	Hose, Vent 93" 6x6
28	1	126-50	Male Connector, 1/4"
29	5	126-94	Clamp, Nylon Wire, 1/4" ID
31	12	117-10	Locknut, Nylon #10-24 Zn
33	4	126-93	Clamp, Nylon Wire, 1/2" ID
34	4	108-08	Washer 1/4 SAE Zn
35	3	120-09	Rivet - 3/16 x 1
36	6	120-13	Rivet - 3/16 x 5/8
37	4	702-06	Foam Cushion
38	1	117-54	Locking PAL Nut, 1/2-20 Zn
39	12	112-07	RHMS, 10-24 x 1.25 Zn
40	12	108-42	Washer, .062 x 7/32 x 1.00 Zn
41	1	103-48	T/S Pan HD Phil #10-5/8 A Zn



Ref.	Qty.	Part #	Description
1	1	632-15	Hourmeter #56458-10 (#876EM)
2	1	633-10	Voltmeter #07583-15 (#830EM)(opt.)
3	2	634-10	Light Kit, #06215-00 5/8" dia, see Ref. 32 & 33 (opt.)
4	1	126-76	Knob, Light
5	1	108-55	Lockwasher 7/16 Ext. Tooth
6	1	100-62	Switch, Light
7	1	118-30	Terminal, Eye - #10
8	2	127-108	Key,molded
9	1	127-107	Cover, nut
10	1	127-106	Nut, flanged - plastic
11	1	127-105	Switch - Ignition
12	1	118-48	Heat Shrink
13	1	634-08	Light, Indicator
14	1	613-37	Terminal Strip, Ground
15	2	120-15	Rivet 1/8 x 7/16
16	2	117-21	Locknut, Nylon 5/16-18 Zn
17	1	604-52	Bracket, Battery Retaining
18	1	613-14	Ground Wire
19	1	127-55	Cap, Battery Terminal - Red
20	2	127-56	Terminal, Battery Post
21	1	127-54	Battery, Exide 45-60
22	8	100-64	Tie Wrap - 5.5" - Black
23	10	126-93	Clamp, Nylon Wire - 1/2" ID
24	1	118-56	Contact
25	1	118-57	Connector Housing
26	1	118-51	Fuse, 30A 2-prong (AT030)
27	2	613-69	Headlamp, Halogen (incl. Ref. 33)
28	1	613-63	Wire Harness
29	1	127-24	Clamp, Nylon - 1" ID
30	2	112-51	Screw, IHWH T/C #10-24x5/8
31	4	118-49	Fuse, 15 A 2-prong (AT015)
32	1	118-60	Block Fuse - 8 position (4 fuse)
33	2	127-46	Bulb, Headlight - Halogen
34	1	127-127	Label, Fuse Panel (located on Guard, Belt Protect - see pg.5)
35	1	118-63	Terminal, Fuse - Triple
36	5	118-62	Terminal, Fuse - Single
37	1	613-90	Outlet, 12 Volt DC
38	1	613-45	Insulator, Terminal (6 ga.)
39	1	613-68	Starter Relay
40	5	108-03	Lockwasher 1/4 Zn
41	2	117-20	Nut, Fin. Hex 1/4-20 Zn
42	3	112-139	#4 Phil Drive Oval Head Screw, Black
43	1	613-91	Wire Harness, 12V Acc. Outlet

ARGO Products Manufactured by:

Ontario Drive & Gear Limited

220 Bergey Court
New Hamburg, Ontario
Canada N3A 2J5
Phone: (519) 662-2840
Fax: (519) 662-2421
www.argoatv.com

ODG *Dedicated to quality and performance*